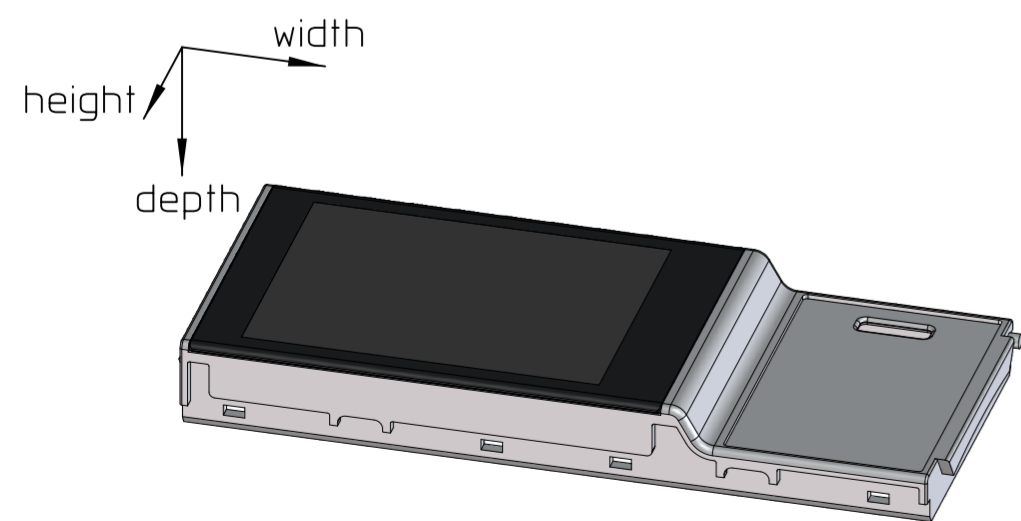
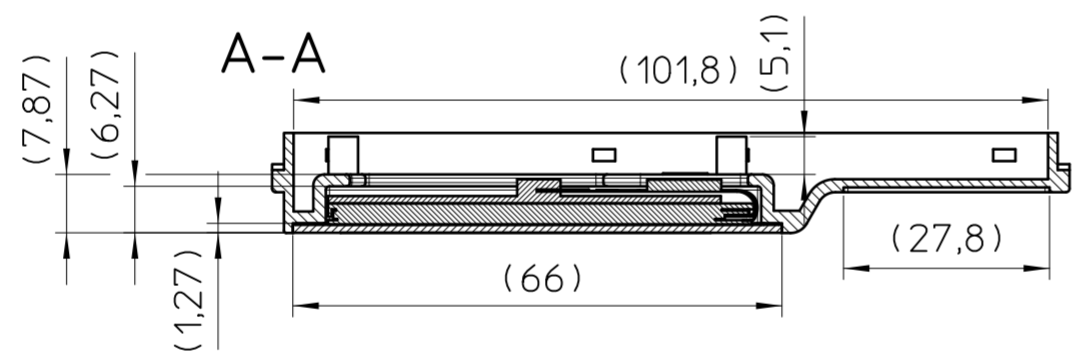
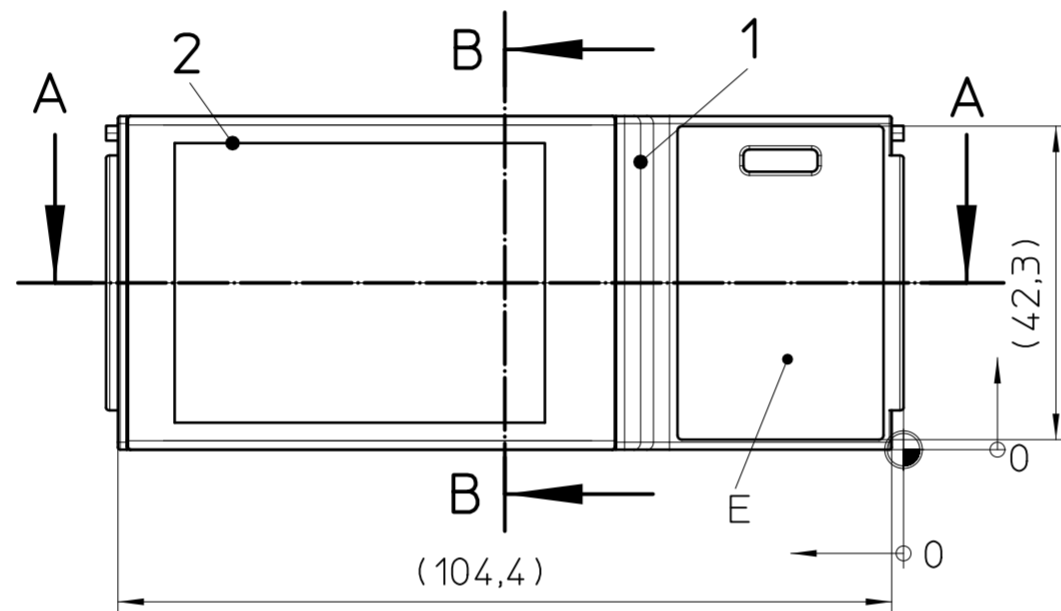
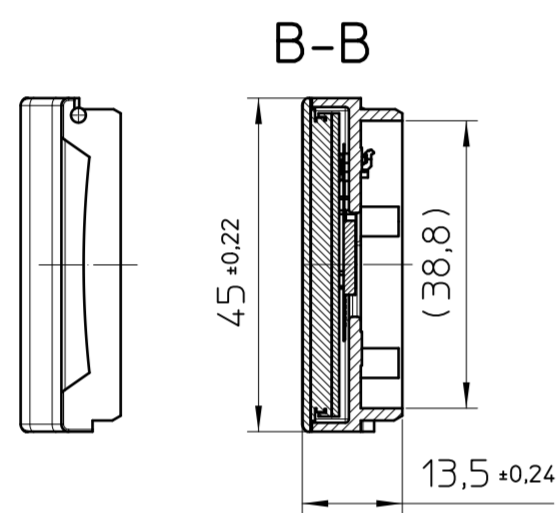
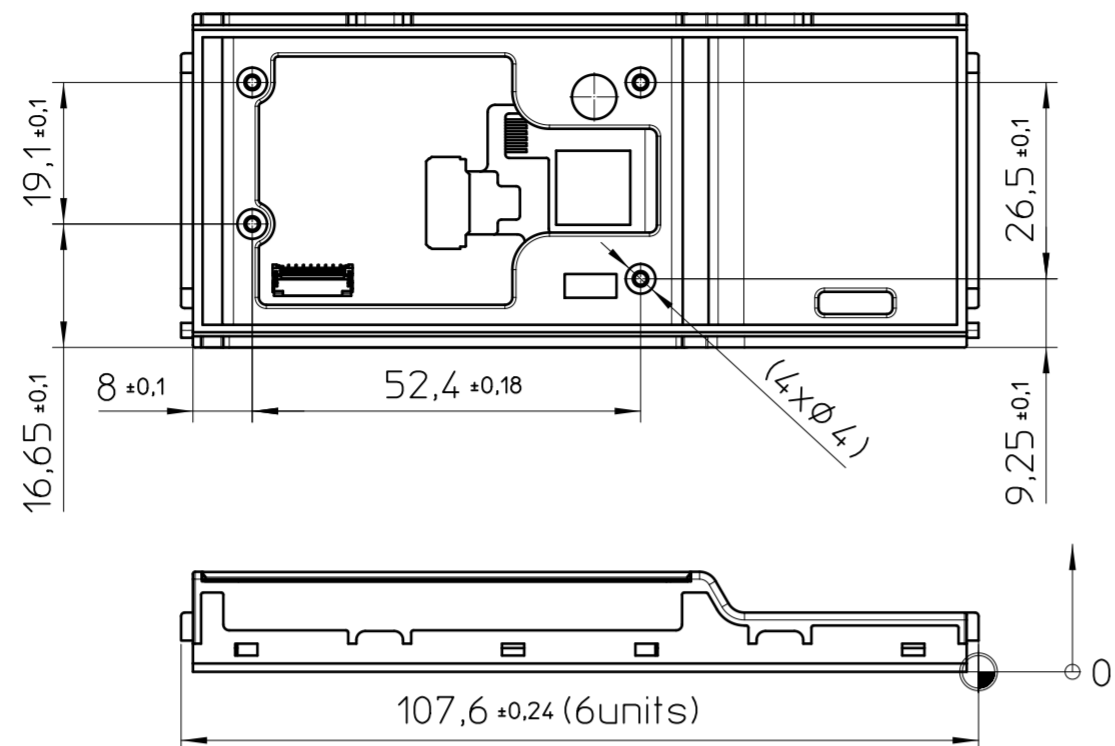


COVER with DISPLAY



General Information

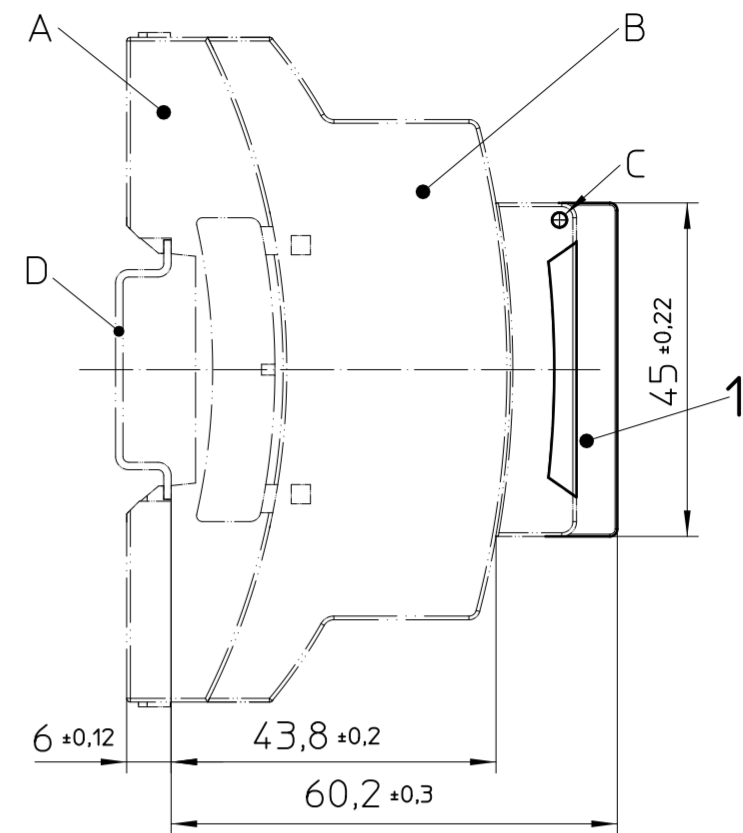
- Simplified representation, exemplary shown in gray.
- Document excluded from change process
- Dimensions in millimeters [mm], angles in [°]
- Tolerances apply in a normal climate according to DIN EN ISO 291-23/50-2
- Workpiece zero point for mechanical processing
- Tolerances for mechanical processing are ISO 2768-mK
- Machining radii min. R1, further on request
- Web: www.phoenixcontact.com webcode: #0311

Additional Information:

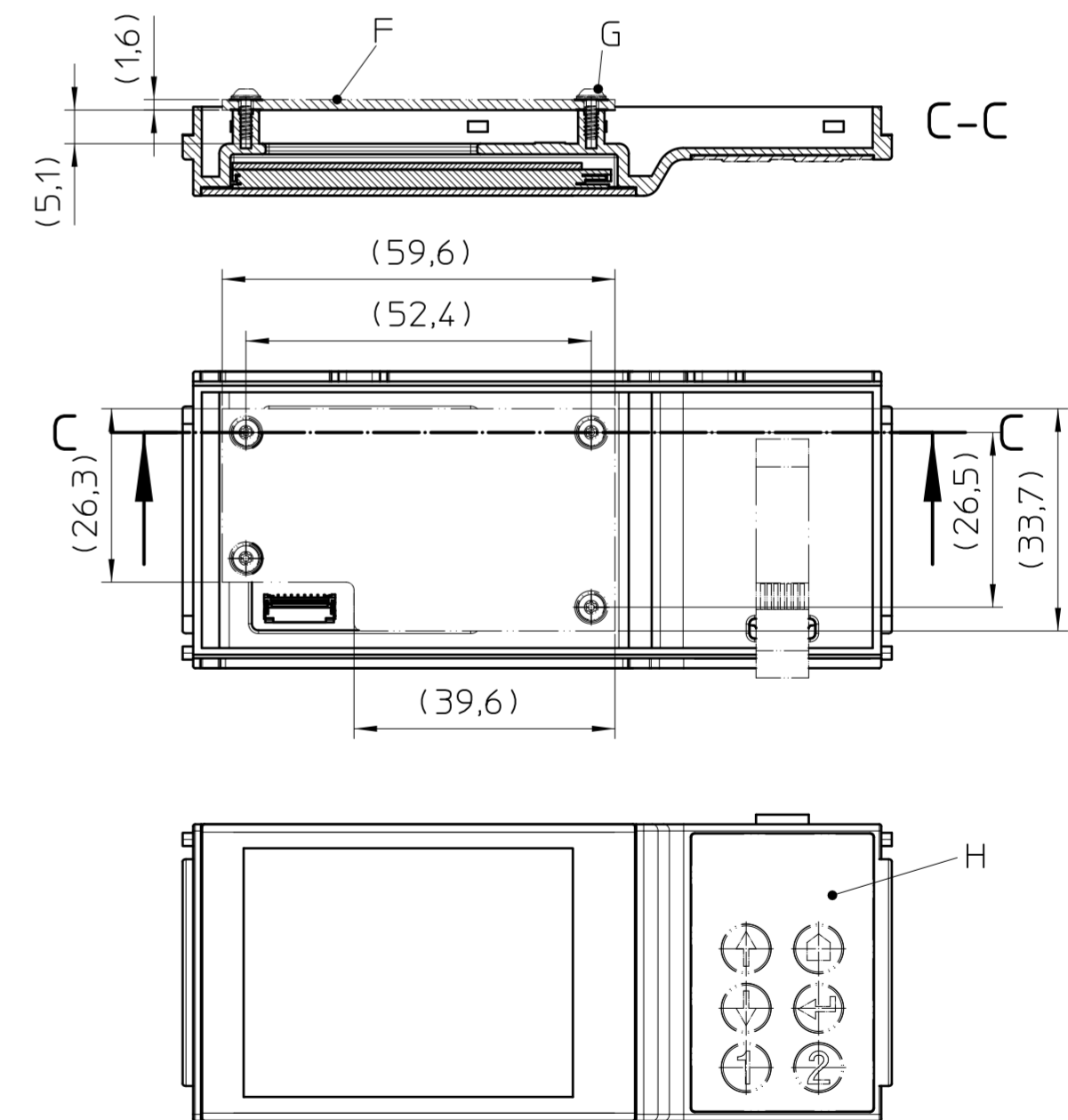
- A. Housing lower part BC 107,6 UT HBUS...
- B. Housing upper part BC 107,6 OT...
- C. Pivot point
- D. Mounting rail like EN 60715: TH 35-7,5 or mounting rail TH 35-15x1,5 similar to EN 60715
- E. Area for keypad
- F. Optional PCB, not included
- G. Optional screw (4x) 1369850, not included
- H. Recommended keypad article-nr: 1337344 or 1337341

Assembly example

Overall dimensions complaint DIN 43880



Assembly example for optional PCB + keypad



Pos.	QTY	Description	Material
1	1	COVER	PC
2	1	DISPLAY	PLASTIC

	DIN A2	document-No. / RI	01388542 / 01	date	23.04.2025	scale	1:1
	1335860	document-type	TECDOC 2D_Productdrawing				
page 1	of 1	description	BC 107,6 DKL R D2,4 KPG KMGY				

Transfer or duplication of this document as well as the utilisation or communication of its content are not permitted unless express consent is granted. Violations give rise to claims for damages. All rights reserved in case of patent, utility model or design patent registrations.

Weitergabe sowie Vervielfältigung dieses Dokuments, Verwertung und Mitteilung seines Inhalts sind verboten, soweit nicht ausdrücklich gestattet. Zuwiderhandlungen verpflichten zu Schadensersatz. Alle Rechte für den Fall der Patent-, Gebrauchsmuster- oder Designeintragung vorbehalten.