

## strain relief for Flexbox hood 4 entries

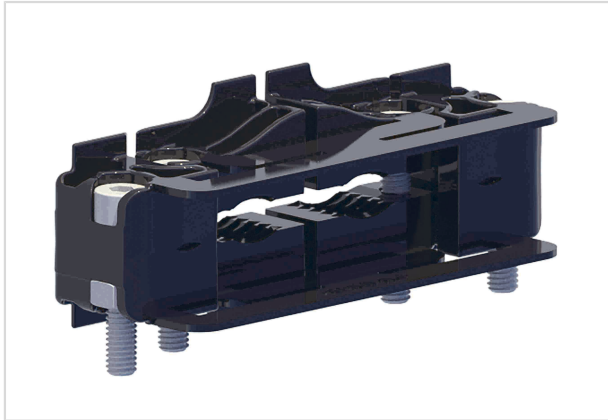


Image is for illustration purposes only. Please refer to product description.

Part number	09 14 000 8034
Specification	strain relief for Flexbox hood 4 entries
HARTING eCatalogue	<a href="https://b2b.harting.com/09140008034">https://b2b.harting.com/09140008034</a>

### Identification

Category	Accessories
Type of accessory	Strain relief
Description of the accessory	4 cable entries

### Material properties

Material (accessories)	Polyamide (PA) Fibre-glass reinforced
Colour (accessories)	RAL 9005 (jet black)
RoHS	compliant
ELV status	compliant
China RoHS	e
REACH Annex XVII substances	Not contained
REACH ANNEX XIV substances	Not contained
REACH SVHC substances	Not contained
Fire protection on railway vehicles	EN 45545-2 (2020-08)
Requirement set with Hazard Levels	R22 (HL 1-3) R23 (HL 1-3)

### Commercial data

Packaging size	1
Net weight	25 g
Country of origin	China
European customs tariff number	85389099
GTIN	5713140194915



**Pushing Performance**  
Since 1945

## Commercial data

eCl@ss

27440392 Connector (accessories)

---