

Connector Location A

Connector Location B

Ha-VIS preLink terminal block AWG 24-28

Copper foil

approx. 45

IP20 RJ45 DualBoot Cat. 6A, 8-pole

X

Y

preLink protection cover (closed)

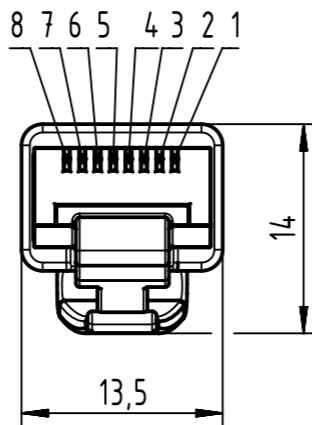
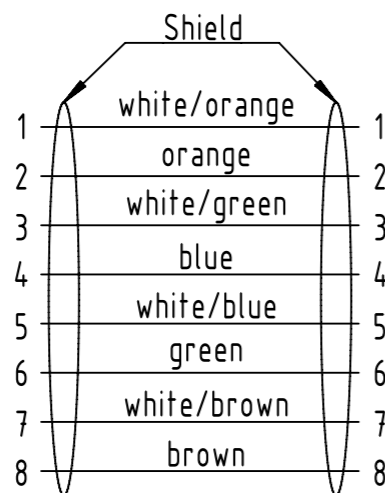
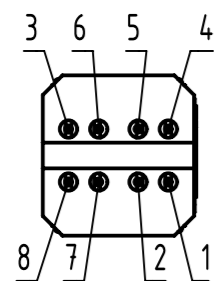
Yellow protection latch

Mating face RJ45 acc. to IEC 60603-7

X (without preLink protection cover)

Loading Plan acc. to TIA/EIA 568B

Y male



length in "1m" step	100	XXX=000
	99	XXX=990
	12	XXX=120
	11	XXX=110
length in "0.1m" step	10	XXX=100
	9.9	XXX=099
	9.8	XXX=098
	0.5	XXX=005
	0.4	XXX=004
	0.3	XXX=003
	0.2	XXX=002
Step	a [m]	XXX

6.0 to 100	±1%
0.6 to 5.9	+0.04
0.2 to 0.5	+0.02
a [m]	Tolerance

4x2xAWG 26/7, S/FTP, PUR, Cat.7, yellow	20826011XXX
Type of cable	Part no.

NOTE:
* Cat.6A 10 Gbit/s Ethernet transmission possible for lengths up to 45m

- Protection level: IP20
- Temperature range:
 - Fixed installation: -30°C ...+75°C
 - Dynamic installation: -5°C ...+50°C

All rights reserved Department HCS - GPM HARTING Customised Solutions D-32339 Espelkamp	All Dimensions in mm Tech. Character. Free size tol. According to production drawing	Created by 407576 Stoica	Inspected by COSTEA Costea	Standardisation BANCIUD Banciu	Date 2024-04-10	State Final Release
	Title System cable preLink 1x terminal module and RJ45					
		Type TB	Number 20826011XXX		Rev. E	Page 1/1