

5

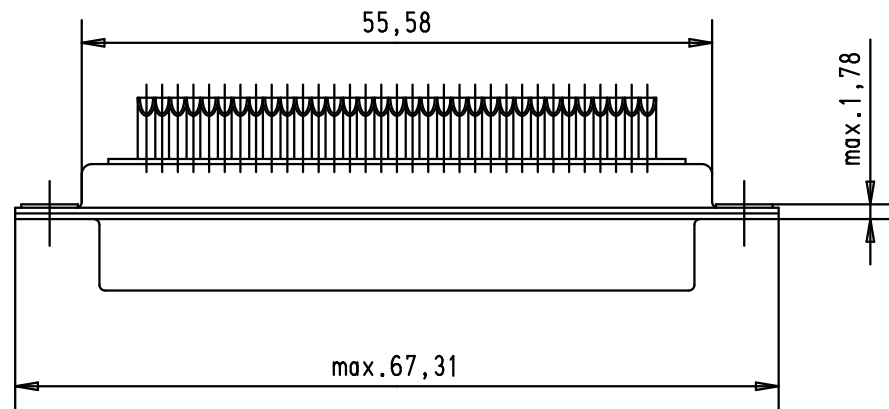
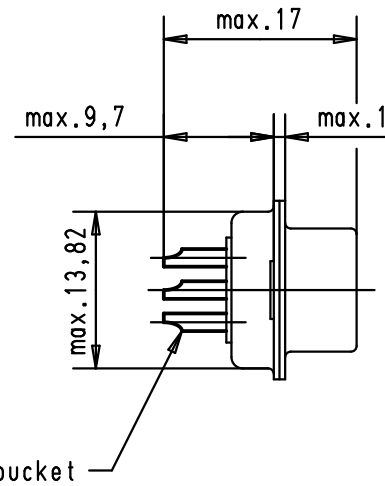
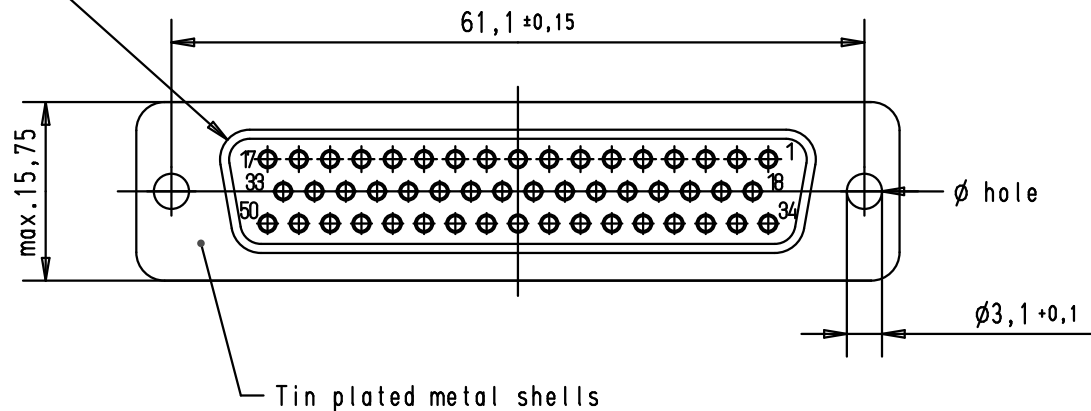
4

3

2

1

Mating face according to : MIL-C-24308 / DIN 41652 / CECC 75301-802

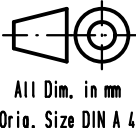



D

C

B

A

						Dot.	Name	 <p>All Dim. in mm Orig. Size DIN A 4</p>	D-Sub, 50 poles, female, straight, turned solder buckets, holes	Maßstab/ Scale		
						Detail.	13-MAR-02			CV	1.5:1	
						Insp.						
						Stand.						
09 67 050 4715 050	$3,1 \pm 0,1$	S4				 TB 09 67 050 47xx Sub.			Blatt/ Page 1 / 2			
09 67 050 4715	$3,1 \pm 0,1$	PL2	36189	08-NOV-10	SC					HARTING EURL F-95972 Paris		
09 67 050 4704	$3,1 \pm 0,1$	PL3	29754	13-MAR-02	CV							
Part number	ϕ hole	Performance level	Mod.	Dot.	Name							