

1

2

3

4

A

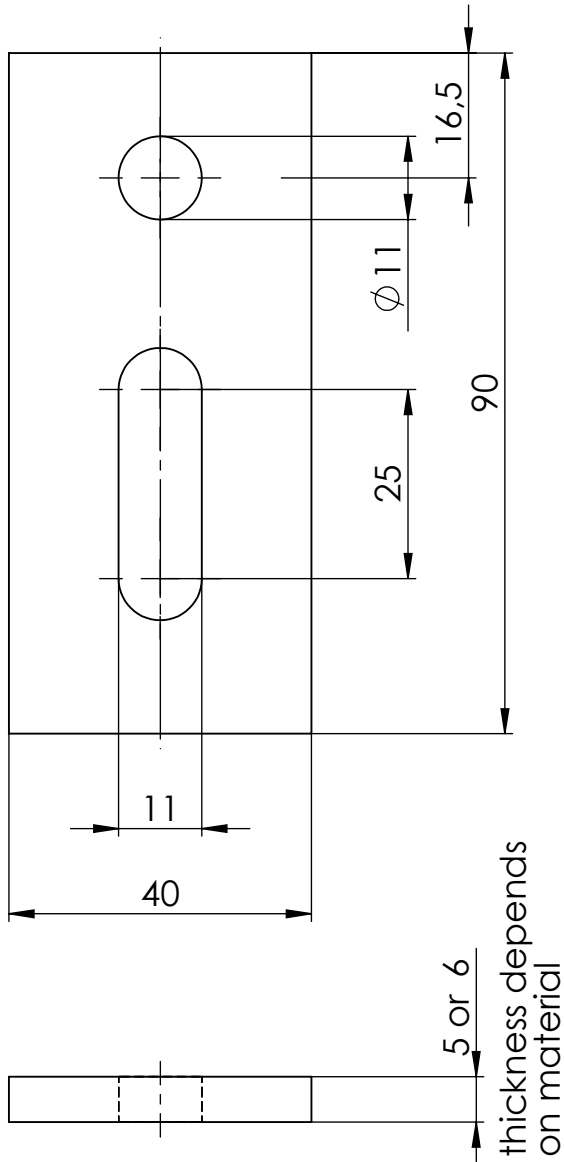
B

C

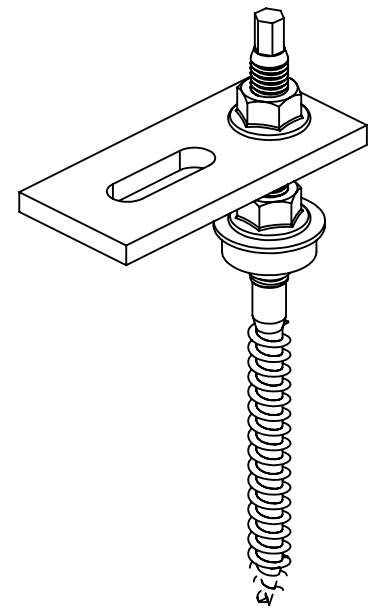
D

E

F



Art. Nr. 2002544



installation example
M 1:2

For Art. Nr.:

2000190 - M 10x160
2000120 - M 10x180
2000121 - M 10x200
2000122 - M 10x250



K2 Systems GmbH
Industriestr. 18
71272 Renningen
07159/42059-0

Designation:

Data sheet
Henger bolt
Adapter plate Alu M10

	Name	Date	Material:	Henger bolt Alu: EN AW 5754 H14/ H16 EN AW 6060 T6 EN AW 6063 T66	Item no.:	A4
Designed	M.Preiß	06.03.2017	Surface:		Drawing no.:	
Approved			Weight:	ca. 300g/ piece	Scale:	1:1
Last change	M.Preiß	03.07.2017				All dimensions in mm Sheet 1 of 1

This drawing is the sole property of K2 Systems GmbH. It is protected by copyright and may only be copied, reproduced or distributed to a third party with explicit permission!