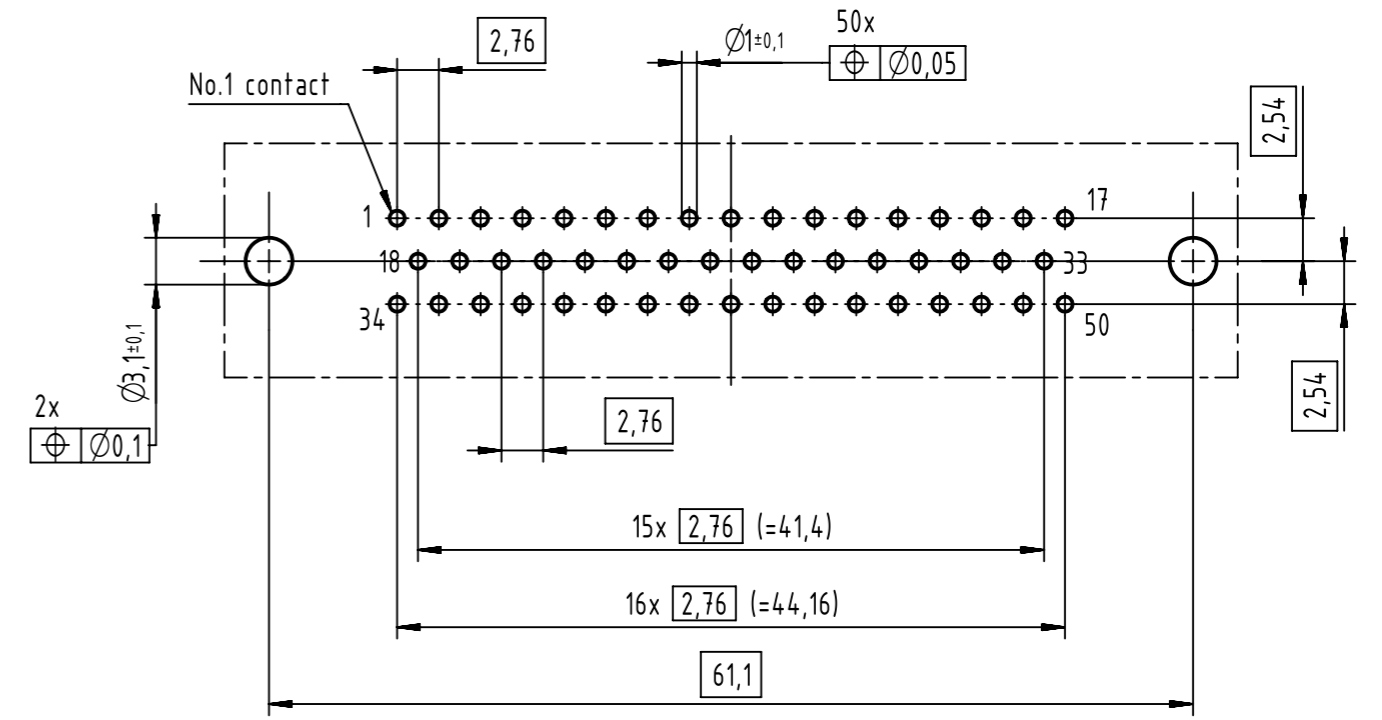
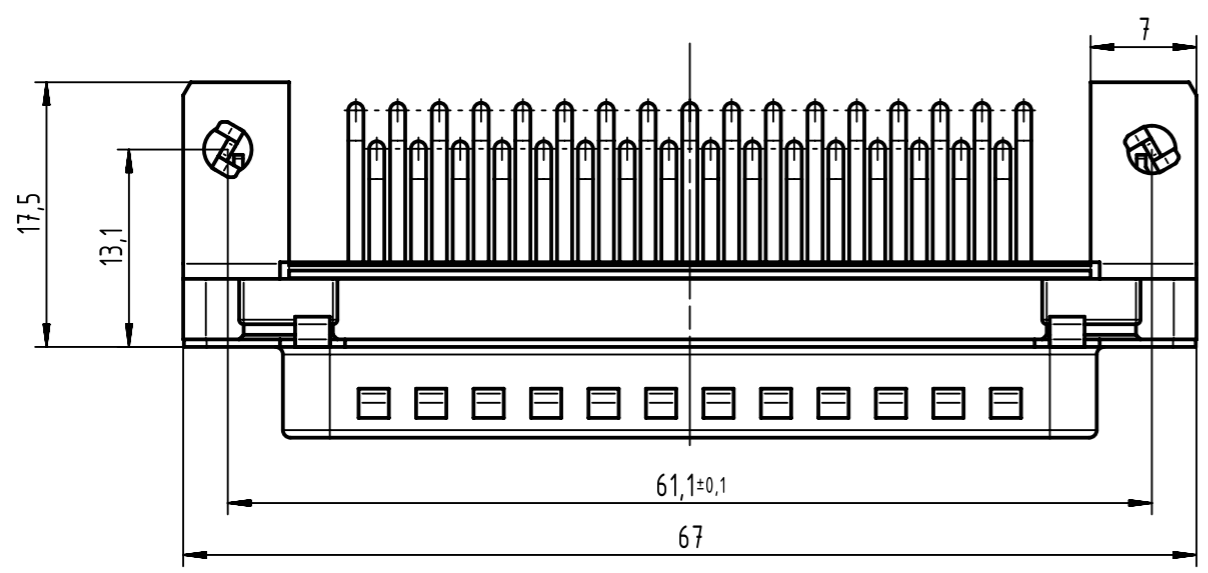


Printed board layout (1,6±0,2 thick)
view component side
(PCB plating = Tin)



Mounting force on Printed board: 25-80 N

part number	performance level	nut thread
0966 562 7811	AU3	M3
0966 562 7812	AU3	4-40 UNC
0966 562 6811	AU2	M3
0966 562 6812	AU2	4-40 UNC
0966 562 5811	0,76µmm AU	M3
0966 562 5812	0,76µmm AU	4-40 UNC

	All rights reserved	Created by	Inspected by	Standardisation	Date	State	
	Department EC PD - CN	ZHUANGJ	LUOK	HOFFMANN	2015-10-27	Final Release	
HARTING Electronics GmbH		Title				Doc-Key / ECM-Nr.	
D-32339 Espelkamp		D-sub standard 50-pole male 2,54mm pitch assembly				100634787/UGD/000/A 50000095926	
Type	TB	Number	0966562X81Y		Rev.	Page	
					A	1/1	