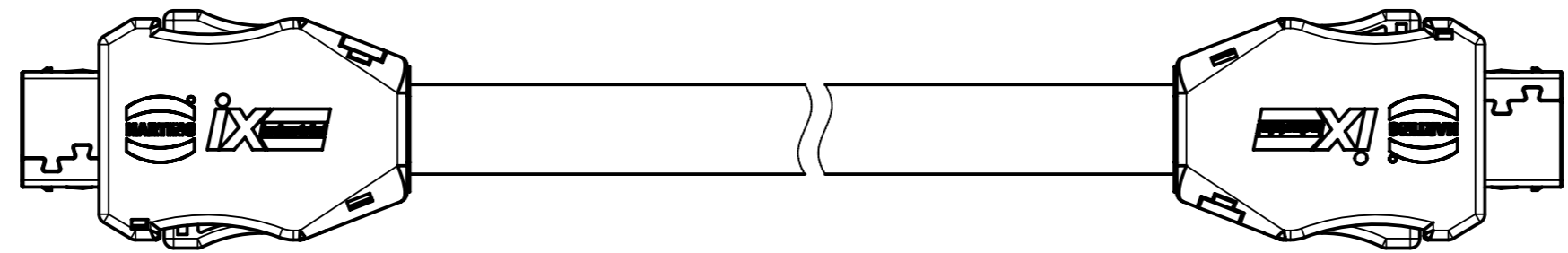
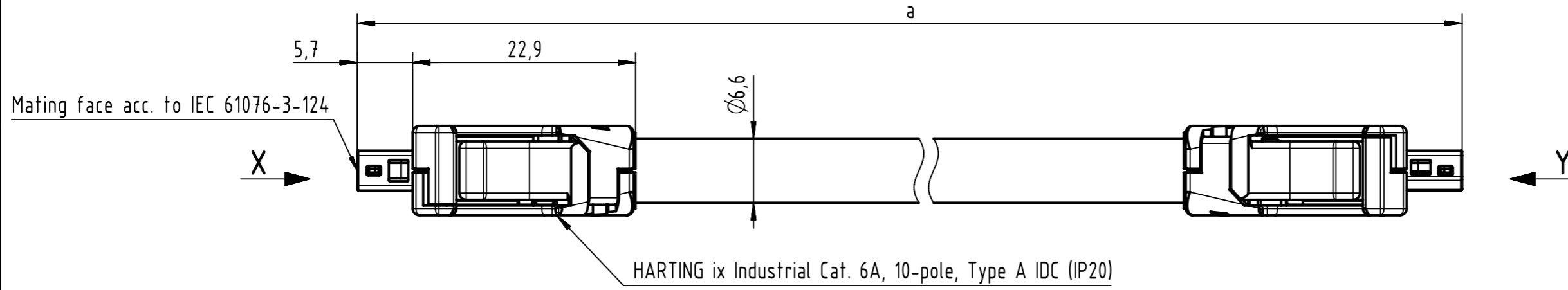


Connector Location A

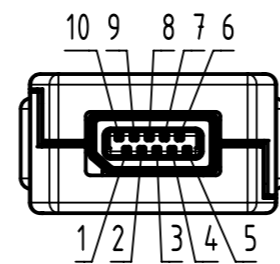
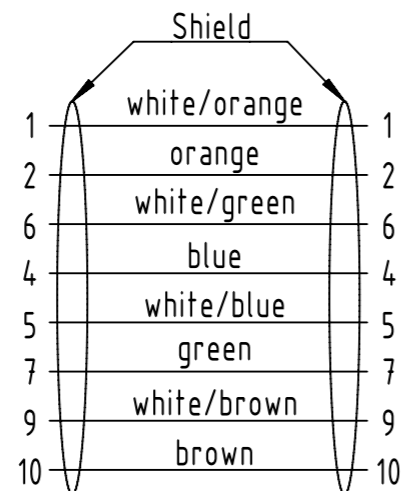
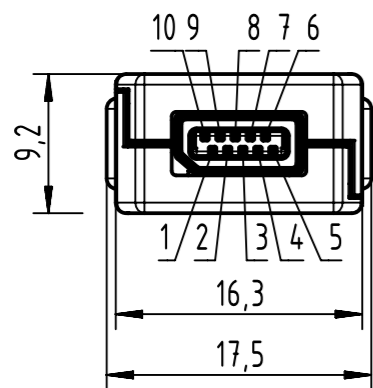
Connector Location B



X
male

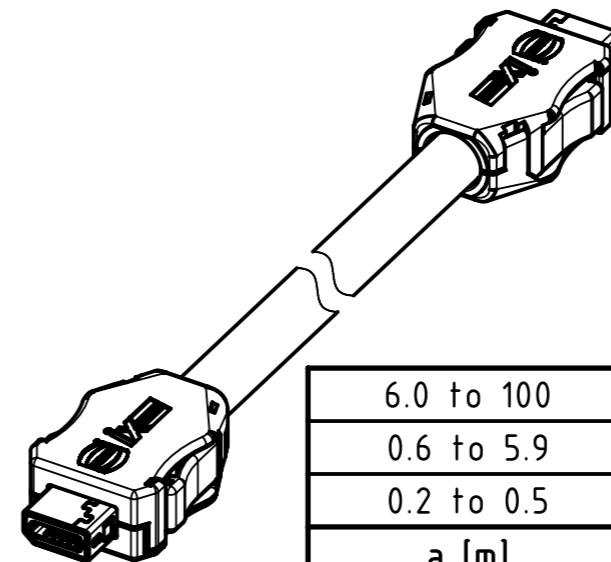
Loading Plan
acc. to TIA/EIA 568B

Y
male



Contacts 3 and 8 are not connected on both ends
- Contact material: copper alloy
- Contact area: Gold 0.2µm min.

Temperature range:
- Fixed installation: -40°C ... +80°C
- Dynamic installation: -40°C ... +80°C



6.0 to 100	±1%
0.6 to 5.9	+0.04
0.2 to 0.5	+0.02
a [m]	Tolerance

length in "1m" step	100	XXX=000
	99	XXX=990
	.	.
	12	XXX=120
	11	XXX=110
length in "0.1m" step	10	XXX=100
	9.9	XXX=099
	9.8	XXX=098
	.	.
	0.5	XXX=005
	0.4	XXX=004
	0.3	XXX=003
	0.2	XXX=002
Step	a [m]	XXX

Ha-Vis EtherRail 4x2xAWG 26/7 Cat. 7, black	33480101819XXX
Type of cable	Part no.

NOTE:
* Cat.6A 10 Gbit/s Ethernet transmission possible for lengths up to 45m

For lengths < 1.0m:
- relative positioning of the connectors to each other will be as presented in the drawing, however with an admissible angular deviation around cable axis of ± 30°
For lengths ≥ 1.0m:
-relative positioning of the connectors to each other not obligatory

	All rights reserved Department HCS - RO	Created by 407675 Lorinzi	Inspected by 402676 Gross	Standardisation MUNTEANV Muntean	Date 2022-11-08	State Final Release
	Title ix Type A EtherRail Cat.6A 4x2xAWG26		Type TB		Number 33480101819XXX	
HARTING Customised Solutions D-32339 Espelkamp		Doc-Key / ECM-Nr. 100927744/UGD/000/B 500000226508		Rev. B		Page 1/1