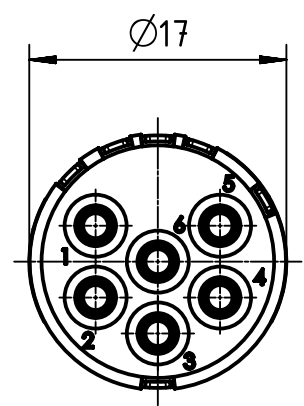
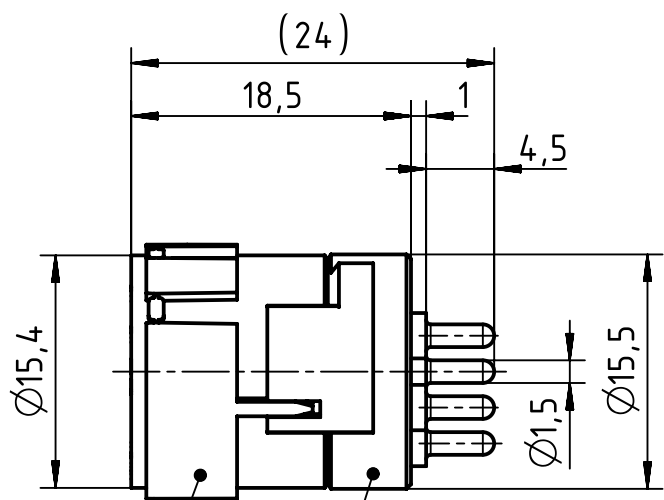
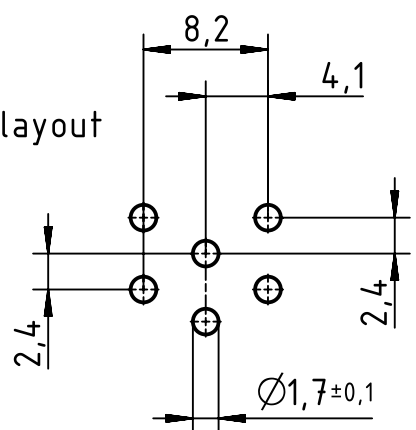
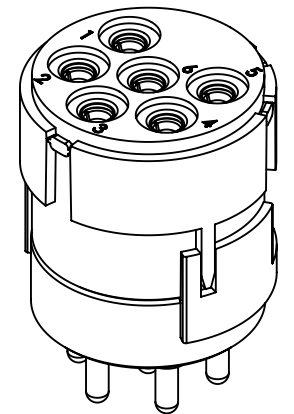


PCB layout



upper part, female

bottom part, female



	All Dimensions in mm Original Size DIN A4		Scale 2:1	Free size tol.		Ref.
			Created by DYCKC	Inspected by GRUBES	Standardisation TIEMANNA	Sub.
All rights reserved Department EL PD		Title M23 06 Female -E		Date 2019-07-19	State Final Release	
HARTING Electric GmbH & Co. KG D-32339 Espelkamp		Type TB		Number 09 15 106 2703		Doc-Key / ECM-Nr. 100706093/UGD/000/C 500000154987
					Rev. C	Page 1/1