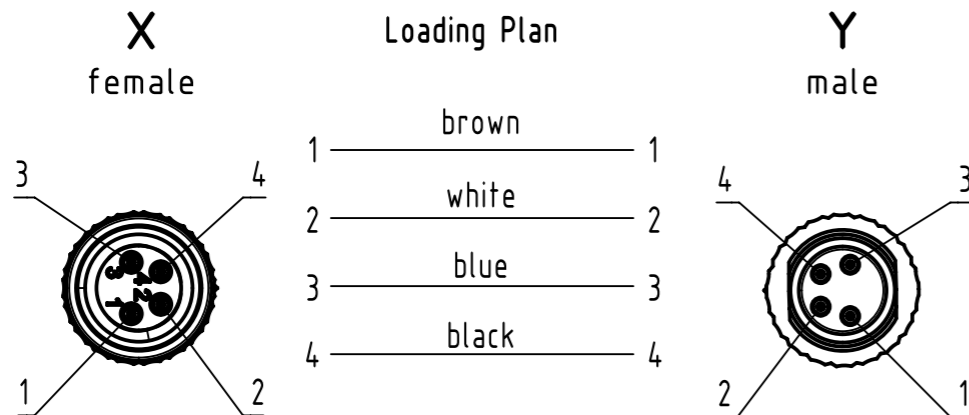
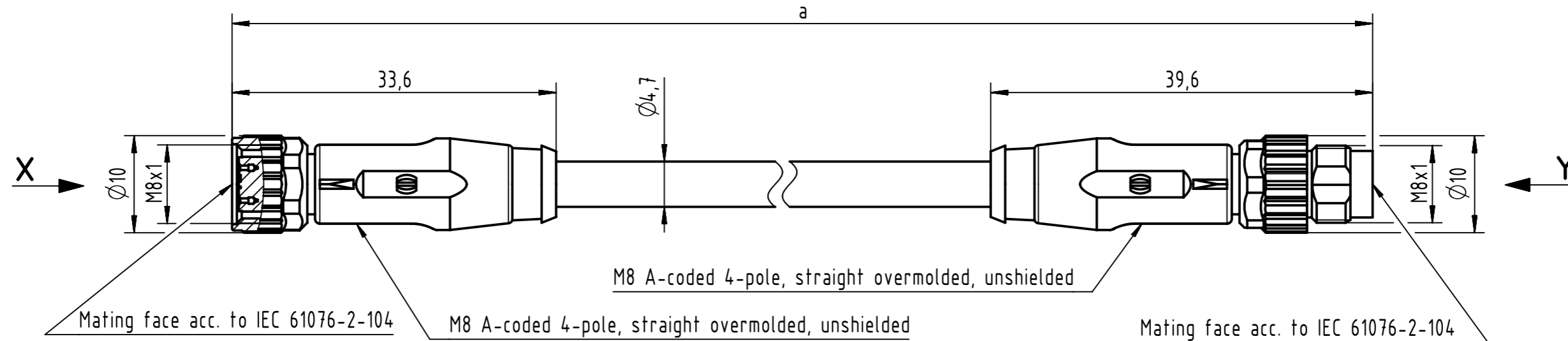
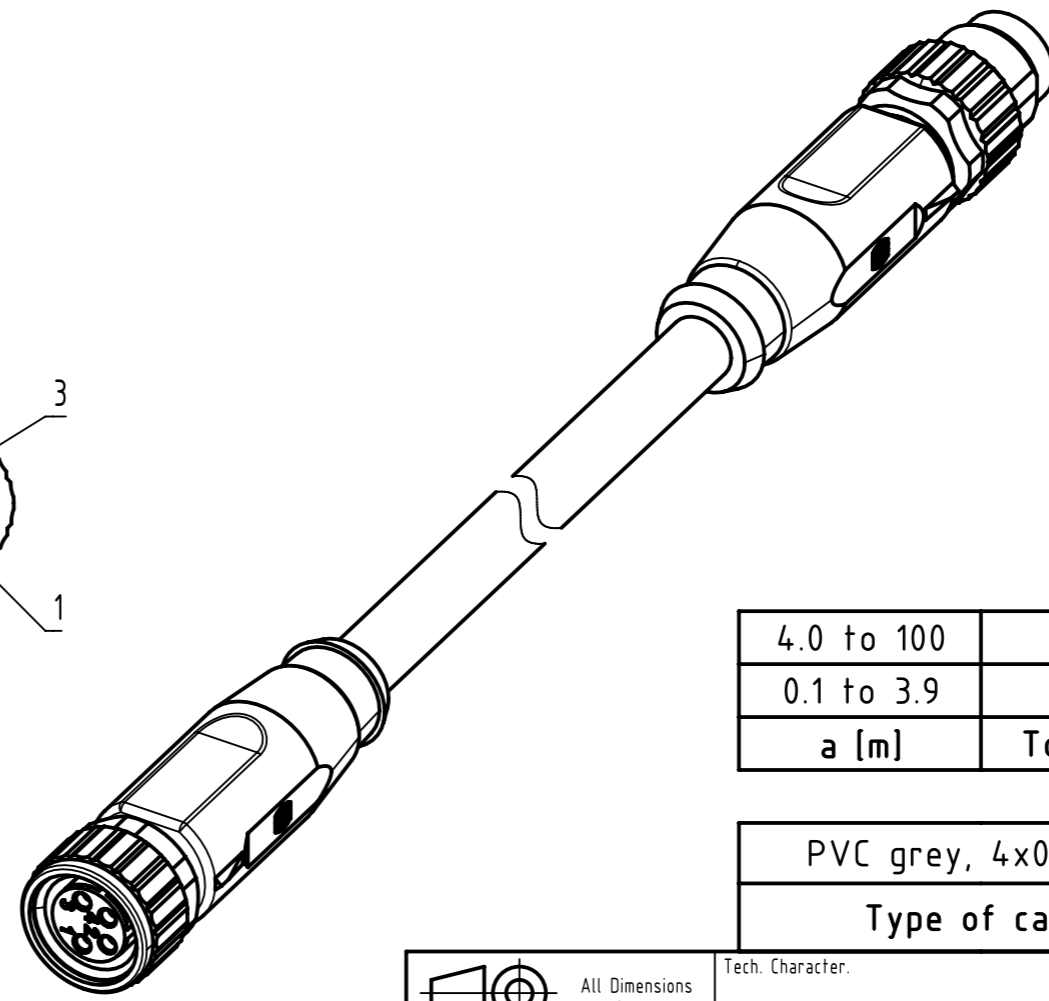


Connector Location A

Connector Location B



- Protection level: IP67
 - Temperature range: -25°C ... +80°C



length in "1m" step	100	XXX=000
	99	XXX=990
	.	.
	12	XXX=120
	11	XXX=110
length in "0.1m" step	10	XXX=100
	9.9	XXX=099
	9.8	XXX=098
	.	.
	0.4	XXX=004
	0.3	XXX=003
	0.2	XXX=002
	0.1	XXX=001
Step	a [m]	XXX

4.0 to 100	±1%
0.1 to 3.9	+0.04
a [m]	Tolerance

PVC grey, 4x0.25mm ²	21348081481XXX
Type of cable	Part no.

All rights reserved Department HCS - RO HARTING Customised Solutions D-32339 Espelkamp	All Dimensions in mm Tech. Character. Free size tol. According to production drawing	Created by 407576 Stoica	Inspected by 402676 Gross	Standardisation MUNTEANV Muntean	Date 2023-03-15	State Final Release	Doc-Key / ECM-Nr. 100578268/UGD/009/C 50000238086
	Title M8 Cable Assembly 4-poles st/st f/m	Type TB	Number 21348081481XXX	Rev. C	Page 1/1		