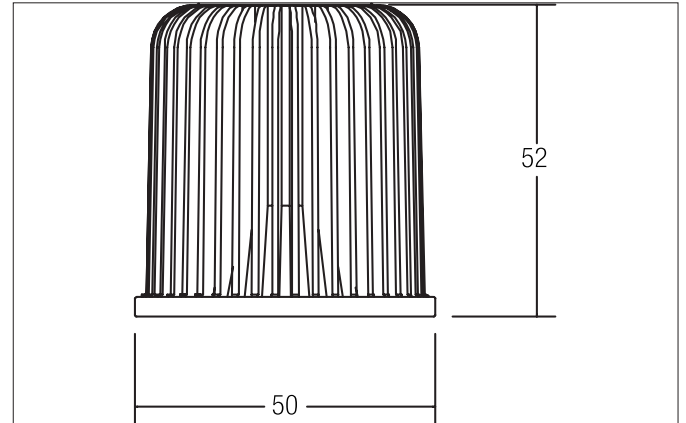


LED reflector insert MR16, 8 W, 24 V DC
 Artikel-Nr. 12823003

Licht.
Für Generationen.



Tender

LED reflector insert MR16, 8 W, 24 V DC, round. Material: Aluminium / Glass, Degree of protection: according to DIN EN 60529 IP20, Protection class: (EN 61140) III, Voltage: 24V, Power: 8W, Amount of light sources / fittings: 1.0 Qty, Luminous flux: 900lm, Colour temperature: 2.850 K, Light colour : White, Beam angle: 60°, Control: Dimming depending on driver.

Article data	
Artikel-Nr.	12823003
GTIN	4251433921660
Kurzbeschreibung	LED reflector insert MR16, 8 W, 24 V DC
Material	Aluminium / Glass
Shape	Round
Outer diameter	50 mm
Length	0 mm
Hight	50 mm
weight	0.072 kg

Lighting technology	
Colour temperature	2850 K
Light colour	White
Luminous flux	900 lm
System efficiency	112 lm/W
Colour rendering	CRI > 90
Reflector	High-gloss
Beam angle	60 °
Light sharing	Symmetric

Date 17.01.2022 All technical data as well as, weight and measurements are based on rated values and had been carefully prepared.

We reserve the right to make technical changes which are important in progressing. Product pictures are examples and can vary from the original.

Subject to errors.



Orders are placed under our general terms and conditions under <https://www.brumberg.com/en/terms-and-conditions/general-terms-and-conditions-of-sale/>

LED reflector insert MR16, 8 W, 24 V DC

Artikel-Nr. 12823003

Licht.
Für Generationen.

Packing data	
Gross weight	0.084 kg
Length of packaging	54 mm
Packaging width	54 mm
Packaging height	68 mm

Accessories	
	<p>Artikel-Nr.: 17206000 Kurzbeschreibung: LED power supply 24 V DC, 1-10 V dimmable (analog) Leistung: 1 - 20 W Abmessung: 145 mm x 55 mm x 19 mm</p>
	<p>Artikel-Nr.: 17207000 Kurzbeschreibung: LED power supply 24 V DC, on/off Leistung: 1 - 30 W Abmessung: 160 mm x 50 mm x 22 mm</p>