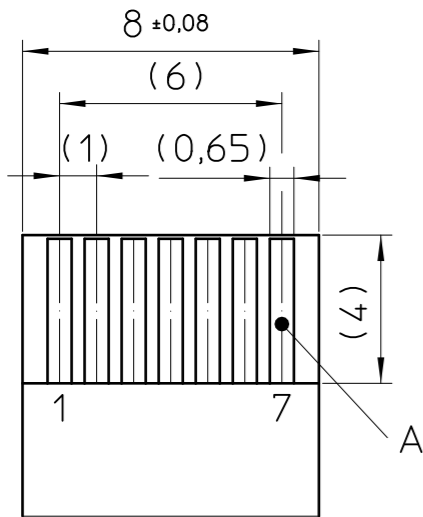


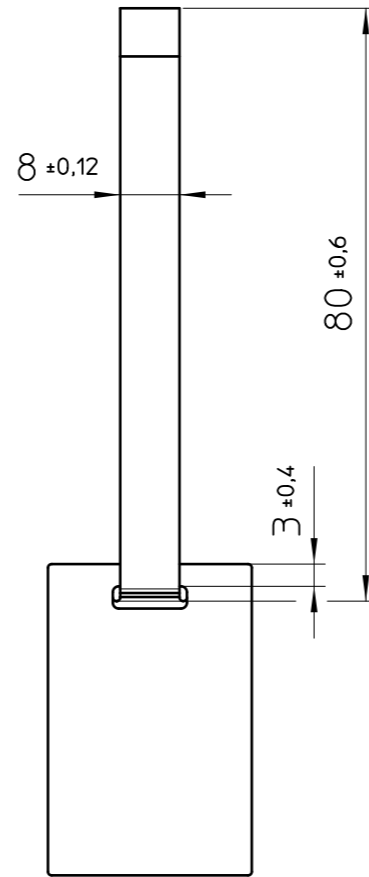
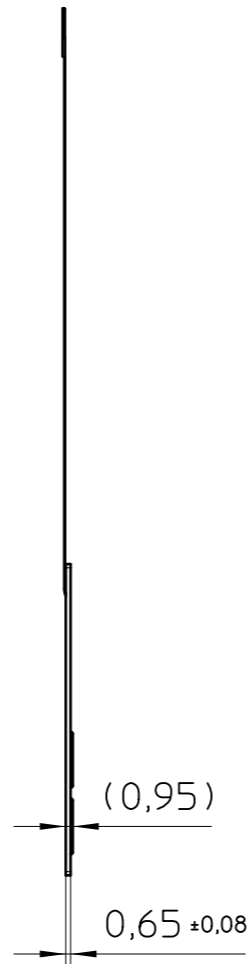
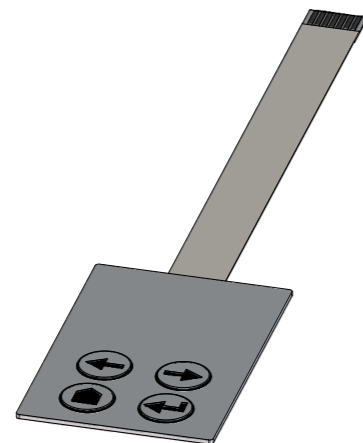
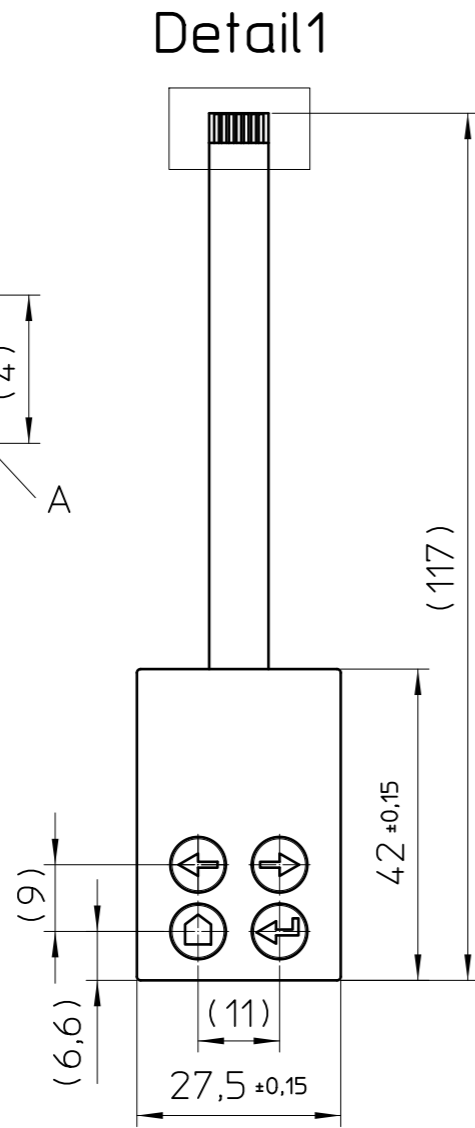
Transfer or duplication of this document as well as the utilisation or communication of its content are not permitted unless express consent is granted. Violations give rise to claims for damages. All rights reserved in case of patent, utility model or design patent registrations.

Weitergabe sowie Vervielfältigung dieses Dokuments, Verwertung und Mitteilung seines Inhalts sind verboten, soweit nicht ausdrücklich gestattet. Zuwiderhandlungen verpflichten zu Schadensersatz. Alle Rechte für den Fall der Patent-, Gebrauchsmuster- oder Designeintragung vorbehalten.

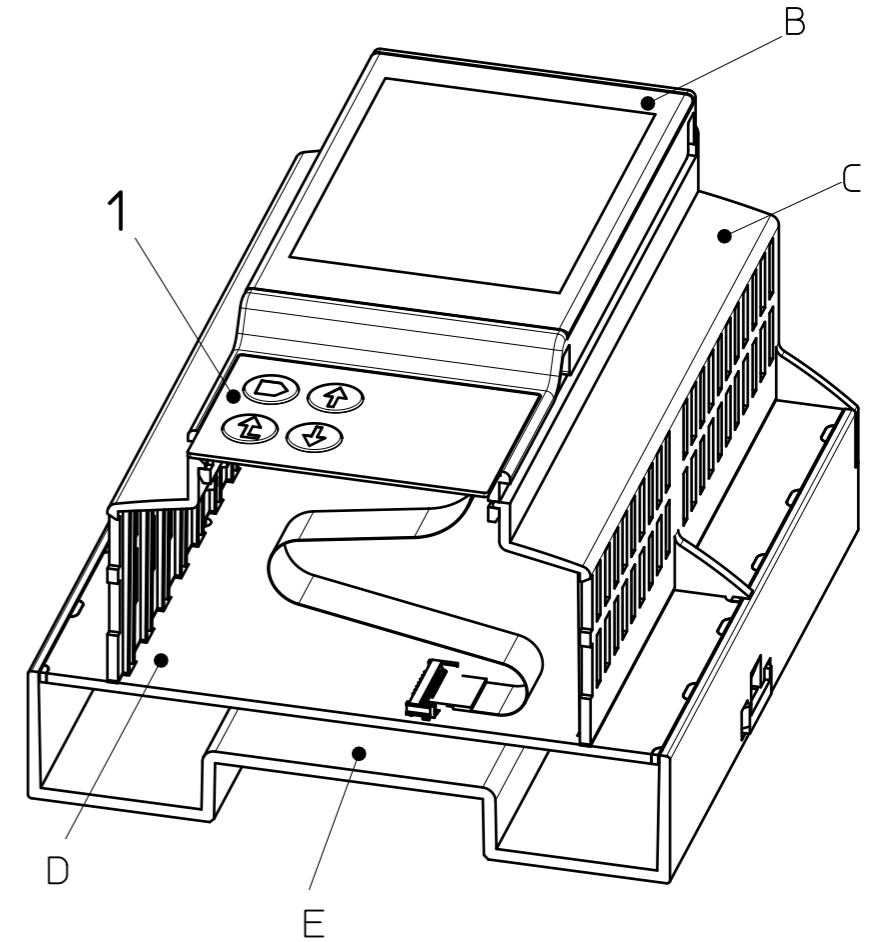
# KEYPAD



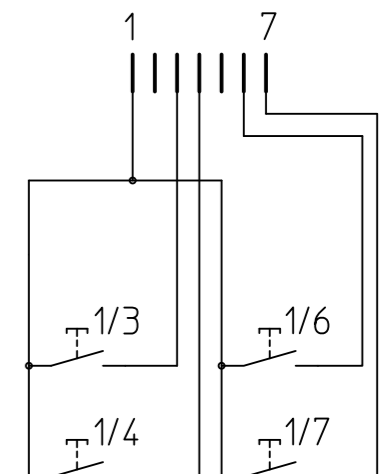
Detail1  
5:1



## Assembly example Keypad in BC-Housing



## Wiring diagram



### General Information:

- Simplified representation, exemplary shown in gray.
- Document excluded from change process
- Units are in millimeters [mm] and degrees [°]
- Web: [www.phoenixcontact.com](http://www.phoenixcontact.com) webcode: #1640

### Additional Information:

- A. FFC keypad,  $t=0,3\pm 0,06$ , 7 contacts, carbon plated
- B. BC 107,6 DKL R D2,4 KPG
- C. BC 107,6 OT U11
- D. PCB 1
- E. BC 107,6 UT

Pos.	QTY	Description	Material
1	1	KEYPAD	plastic
DIN A3		document-No. / RI	date
PHOENIX CONTACT		01388759 / 01	23.04.2025
page 1 of 1		ident.-No.	scale
		1337341	1:1
		document-type	
		TECDOC 2D_Productdrawing	
		description	
		KP BC K4 C2 P5	