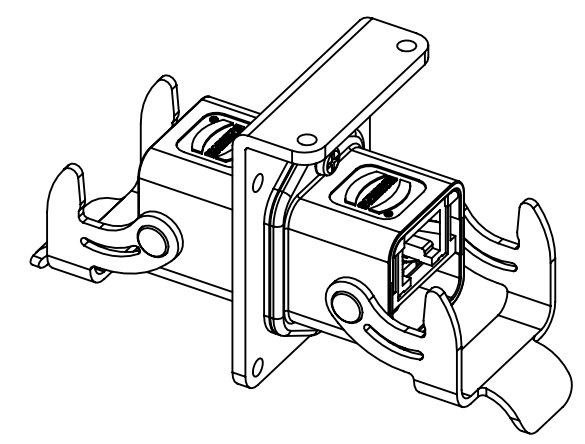
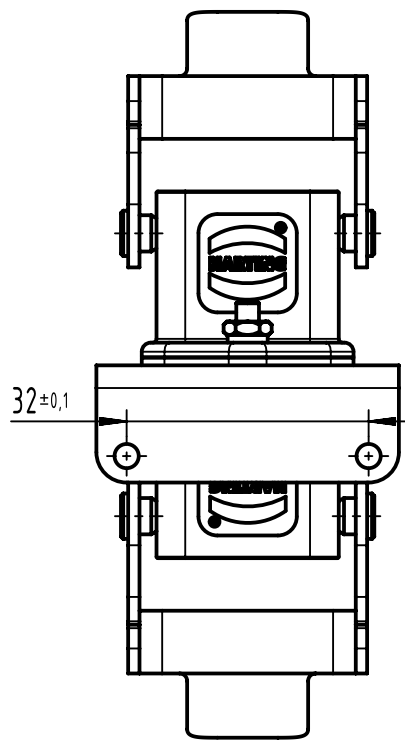
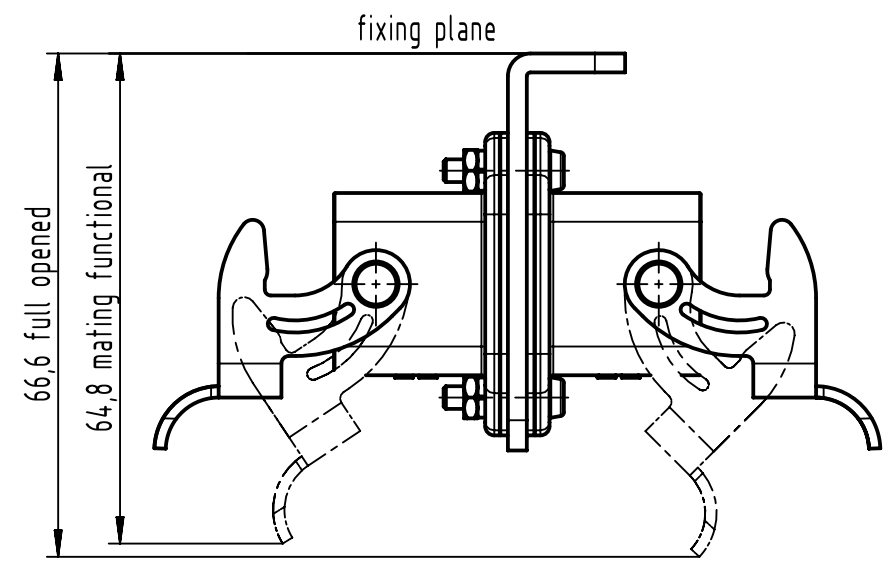


fixing to support(s)
with M3 screws (x6)

IEC 60603-7
SMC modular Jacks
12mm max. height
above PC-Board



Matable with IEC 61076-3-106 variant 05
Gender changer pitch on panel = 41mm

	All Dimensions in mm Original Size DIN A4		Scale 1:1	Free size tol.		Ref. Sub.		
	All rights reserved Department EL PD		Created by BALSAN	Inspected by PRIESTER	Standardisation 302077	Date 2021-02-22	State Final Release	
HARTING D-32339 Espelkamp			Title Han3A RJ45 Cat5 coupler 8p				Doc-Key / ECM-Nr. 100229064/UGD/002/B 500000189310	
			Type TB	Number 09452151107			Rev. B	Page 1/1