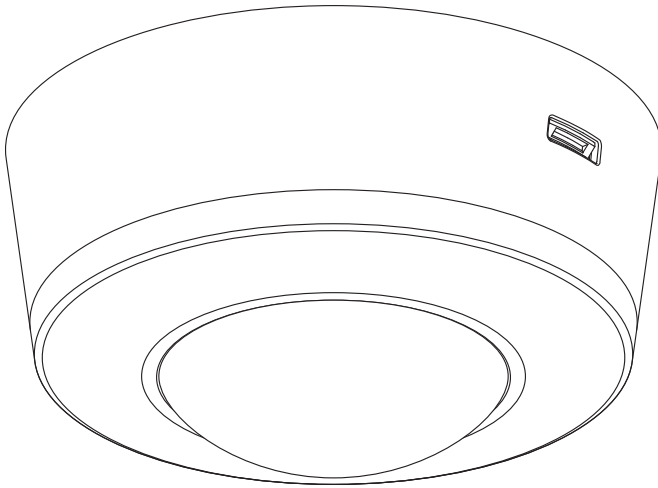
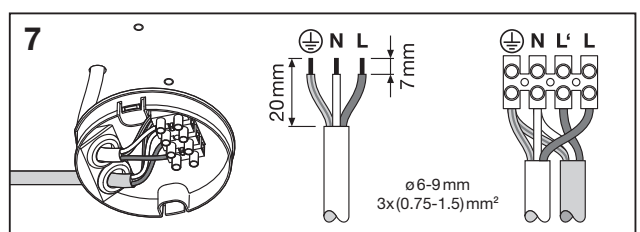
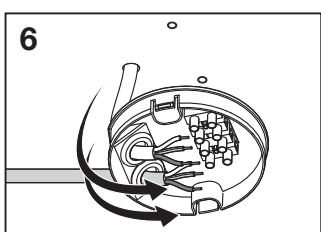
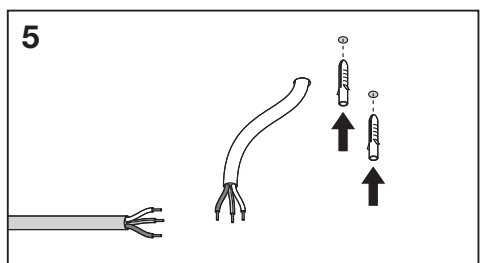
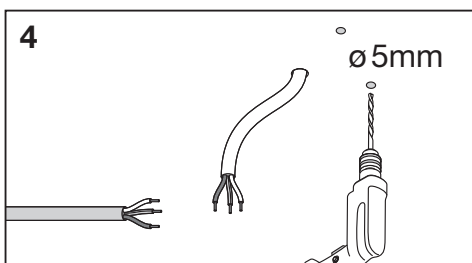
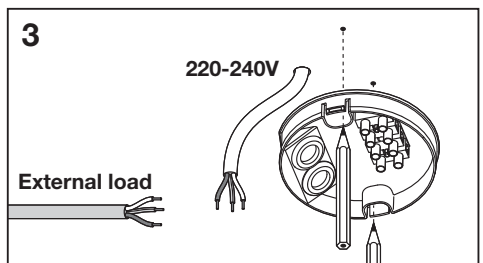
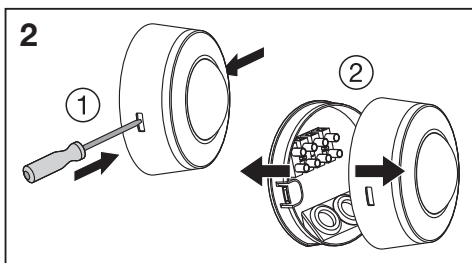
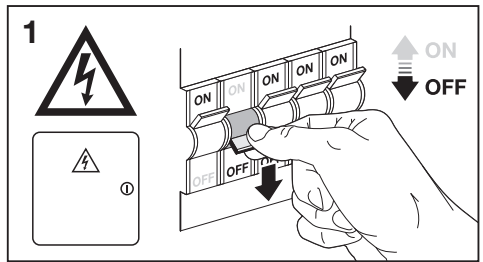
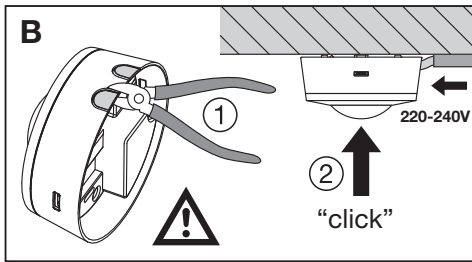
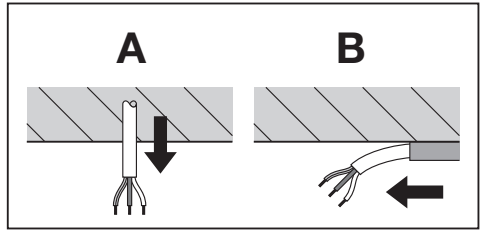
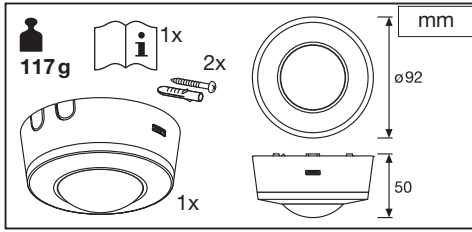
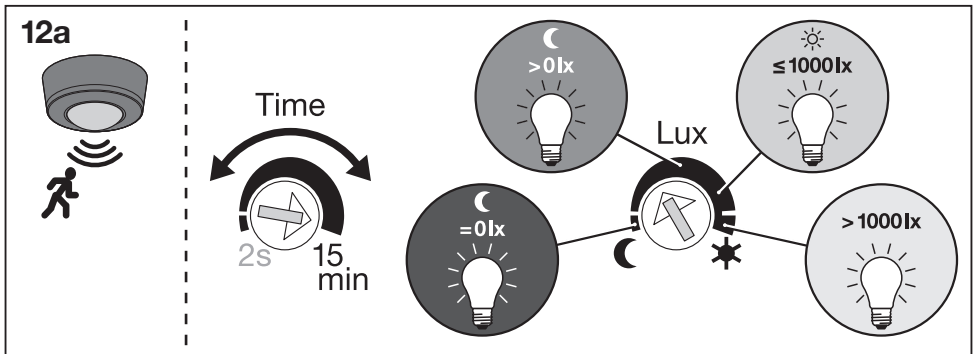
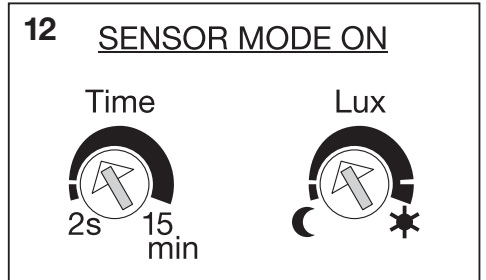
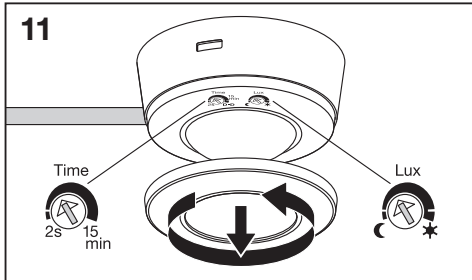
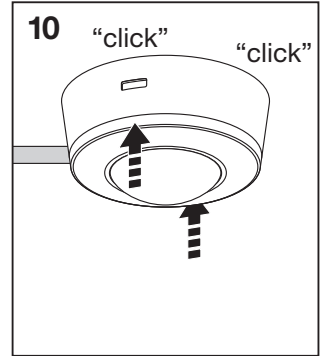
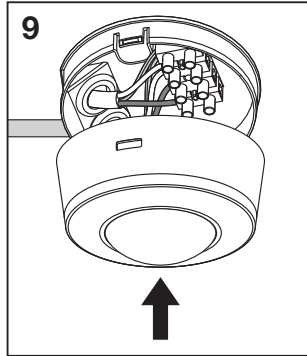
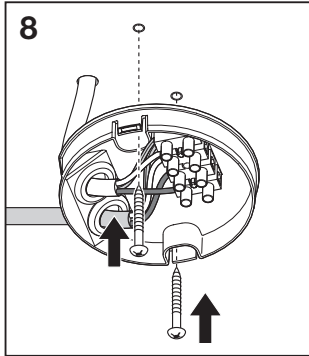
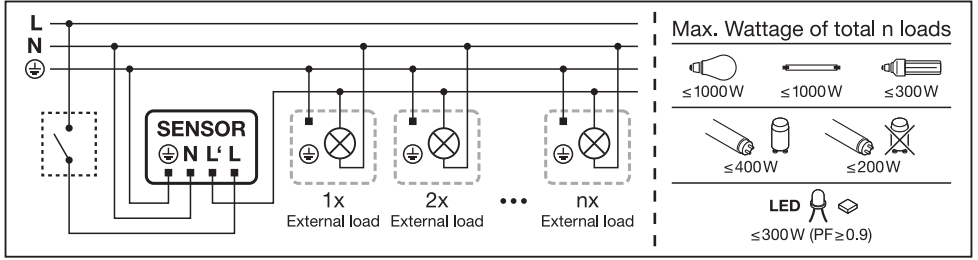

SENSOR CEILING

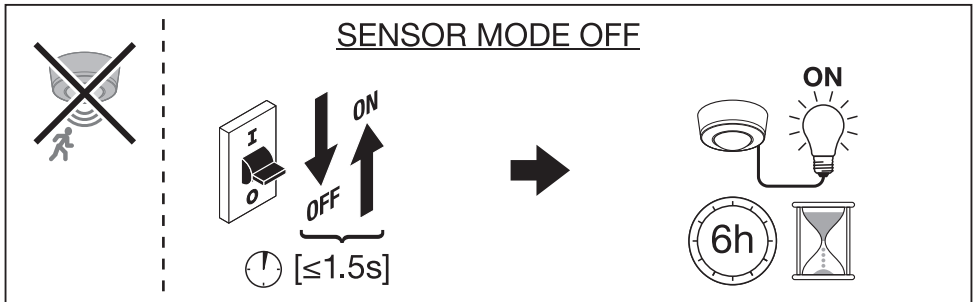
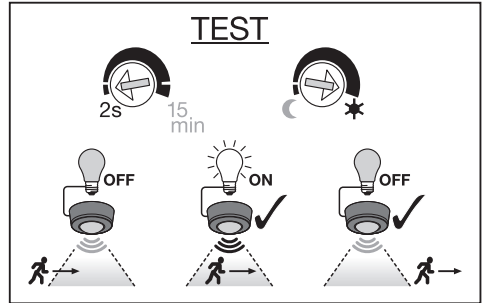
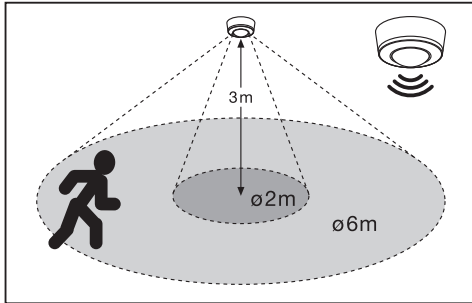
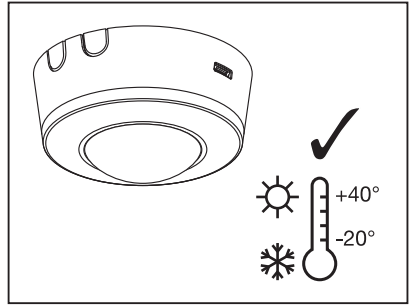
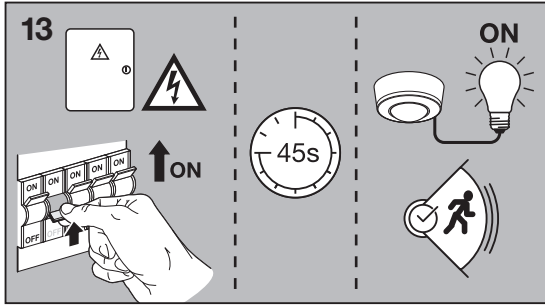


	EAN	IP	IK	Temp^{amb} (°C)	V_{AC}	Hz
SENSOR CEILING 360DEG IP44 WT	4058075244719	44	05	-20...+40	220-240V	50/60 Hz

SENSOR CEILING







C10449057
G11127243
06.10.2021



LEDVANCE GmbH
Steinerne Furt 62
86167 Augsburg, Germany
www.ledvance.com