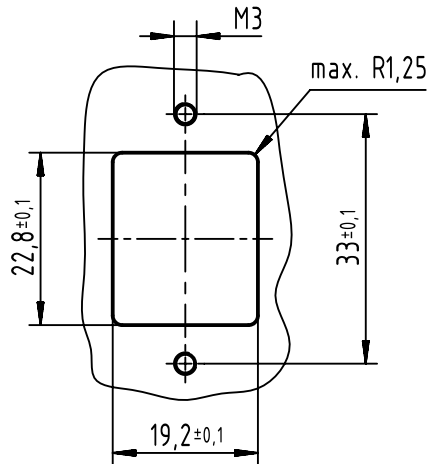
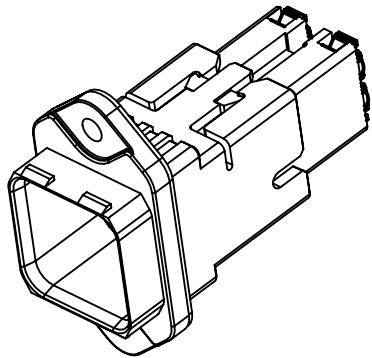
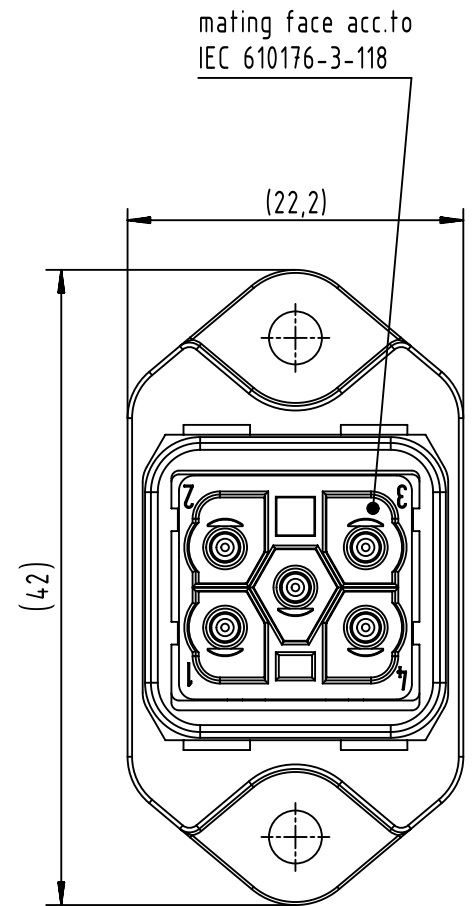
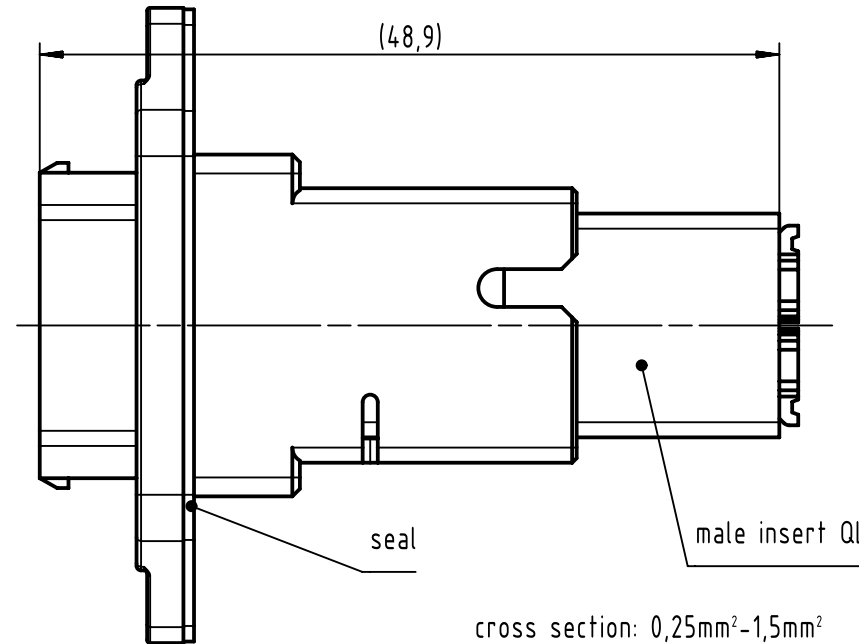
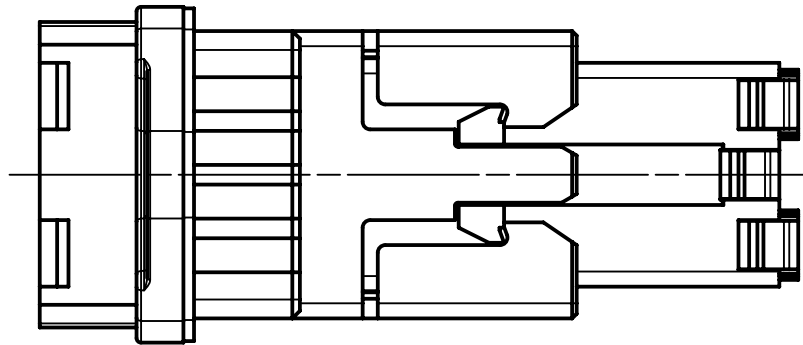


(1:1)
panel cut out



thickness panel: 1mm to 6mm



	All Dimensions in mm Original Size DIN A4	Scale 2:1	Free size tol.		Ref.	
	All rights reserved Department EL PD	Created by STORCK	Inspected by ZWAHR	Standardisation SCHREIER	Date 2020-08-21	State Final Release
HARTING Electronics GmbH D-32339 Espelkamp		Title Han PP V14 Power PFT plastic QL AWG23-16			Doc-Key / ECM-Nr. 100226780/UGD/002/G 500000174260	
		Type TB	Number 09352340331		Rev. G	Page 1/1