

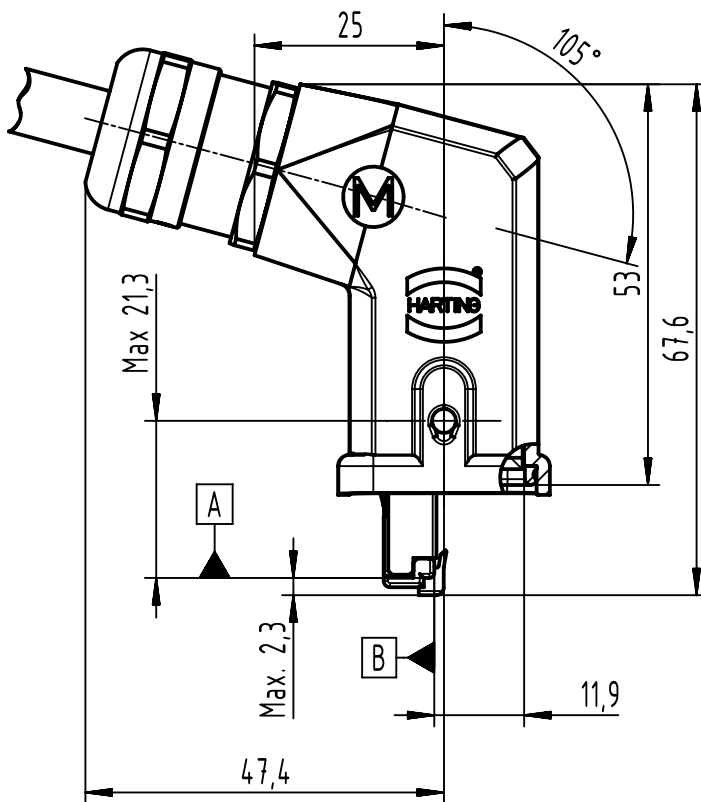
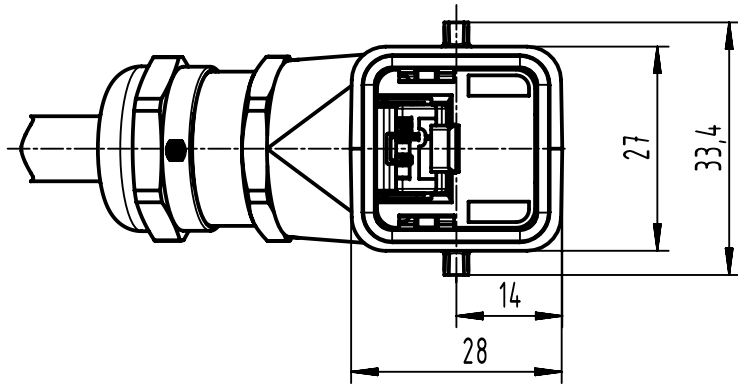
1 2 3 4 5 6

A

B

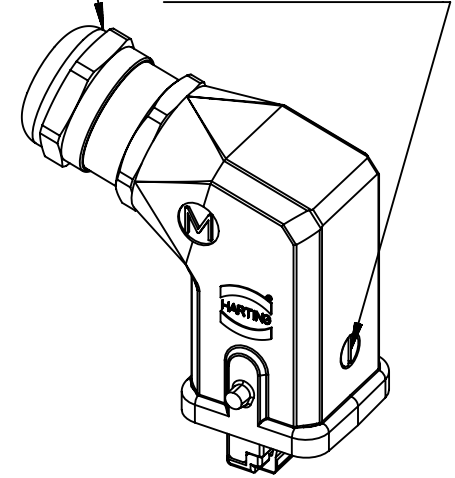
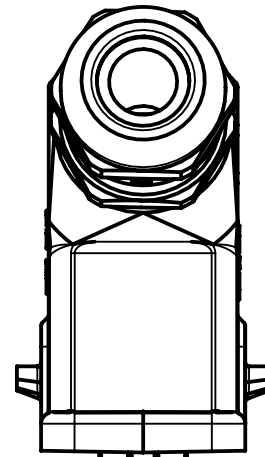
C

D

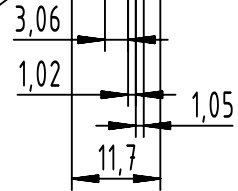


M20x1,5 metal sealing gland

M3 screw for assembly



Mating face acc. to IEC 60603-7



Cable diameter 5 to 9mm
 AWG 22-23 solid
 AWG 22-24 stranded
 with wires O.D. max. 1,6mm

	All Dimensions in mm Original Size DIN A4	Scale 1:1	Free size tol.		Ref.	
	All rights reserved Department EL PD	Created by 406403	Inspected by PREUTU	Standardisation ROEBEN	Date 2023-04-04	State Final Release
HARTING D-32339 Espelkamp		Title Han3M RJ45 Cat5 plug 4p IDC, angled			Doc-Key / ECM-Nr. 100184257/UGD/001/E 500000240887	
		Type TB	Number 09451151106		Rev. E	Page 1/1