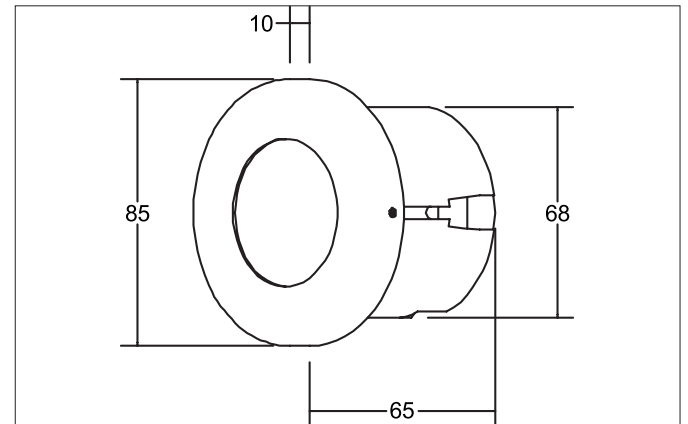
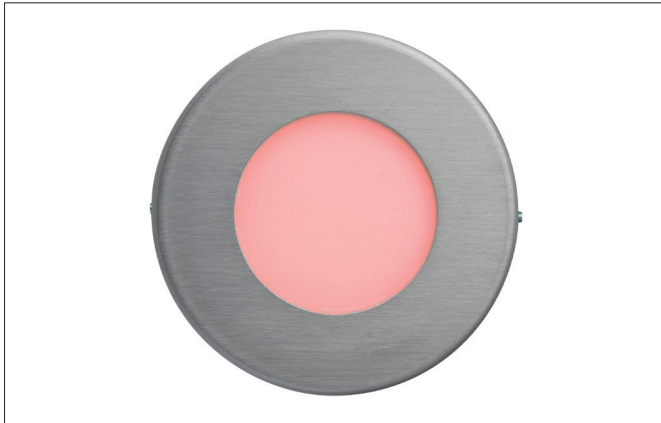


TEDO-R LED wall recessed light  
Article no. 10141206

Light.  
For Generations.



#### Tender

LED wall recessed light, stainless steel, Round. Recessed mounting, Wall-mounted Including a converter for connection with the 230-V mains voltage, on/off switchable, and cavity wall mounting box Ø 68 mm / installation depth: 65 mm Mounting method: Recessed mounting, Place of installation: Wall-mounted, Material: Stainless steel / Acrylic / Plastic, Degree of protection: according to DIN EN 60529 IP20, Protection class: (EN 61140) I, Voltage: 230V AC 50Hz, Power: 1.2W, Amount of light sources / fittings: 1.0 Qty, Adjustability: Not adjustable, With control gear: Yes, Dimmable: No, Control: on/off.

Article data	
Article no.	10141206
GTIN	4250047770763
Series name	TEDO-R
Short description	LED wall recessed light
Material	Stainless steel
Colour	Stainless steel
Type of surface	Matt
Shape	Round
Outer diameter	85 mm
Built-in diameter	68 mm
Installation depth	65 mm
Height	10 mm
Weight	0.231 kg

TEDO-R LED wall recessed light  
Article no. 10141206

Light.  
For Generations.

Lighting technology	
Colour temperature	rot
Light colour	Red
Colour rendering	CRI > 80
Reflector	Without
Light sharing	Symmetric

Operating technology of the luminaire	
System output	1.2 W
Voltage type	AC
AC nominal voltage max	230 V
Frequenz max.	50 Hz
Lamp	LED
Protection class	I
Degree of protection	IP20
Dimmable	No
Control	on/off
Bulb change possible	Yes

Operating technology of driver	
Protection class	II
Degree of protection	IP66
Control	on/off
version	Plug&Play

Mounting technology	
Mounting method	Recessed mounting
Place of installation	Wall-mounted
Adjustability	Not adjustable
Material cover	Plastic, opal

Packing data	
Gross weight	0.279 kg
Length of packaging	95 mm
Packaging width	75 mm
Packaging hight	95 mm
Disposal at end of life	This product must not be disposed of with household waste. You are obliged, to dispose of such electrical waste separately. By disposing of electrical waste and other old or defective electronics separately, you support recycling or other forms of re-use. In that way you help to take care and to avoid that harmful substances get into the environment.