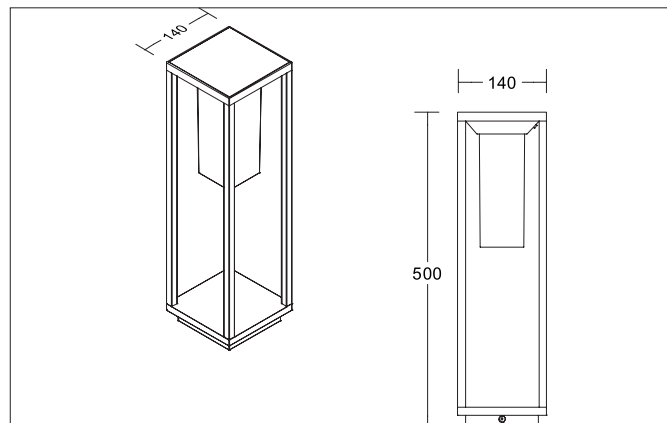


**RUBI LED solar luminaire, IP54**

Article no. 65321103

Light.  
For Generations.**Tender**

LED solar luminaire, IP54, graphite structure, Rectangular. Surface mounting, Floor-mounted Mounting method: Surface mounting, Place of installation: Floor-mounted, Material: Aluminium / Glass / Plastic, Degree of protection: according to DIN EN 60529 IP54, Protection class: (EN 61140) III, Power: 2.2W, Amount of light sources / fittings: 1.0 Qty, Luminous flux: 196lm, Colour temperature: from 3.000 K up to 3.000 K, Light colour : White, Adjustability: Not adjustable, With control gear: Yes, Control: on/off.

**Product Benefits**

1 x 2,200 mA lithium battery.

Charging time: Sun: 6 - 8 hrs.

Working time: 2 - 3 hrs. at 100% power.

Working time: 20 - 25 hrs. at 15% power.

**RUBI LED solar luminaire, IP54**

Article no. 65321103

Light.  
For Generations.

Article data	
Article no.	65321103
GTIN	4251433982623
Series name	RUBI
Short description	LED solar luminaire, IP54
Material	Aluminium / Glass / Plastic
Colour	Graphite
Type of surface	Structure
Shape	Rectangular
Length	140 mm
Width	140 mm
Height	500 mm
Scope of delivery	- 1 x 2,200 mA lithium battery.  - Charging time: Sun: 6 - 8 hrs.  - Working time: 2 - 3 hrs. at 100% power.  - Working time: 20 - 25 hrs. at 15% power.
Weight	5.700 kg

Lighting technology	
Colour temperature	3.000 K
Light colour	White
Light output	Direct
Luminous flux	196 lm
System efficiency	89 lm/W
McAdam-Step	McAdam-Step 6
Colour rendering	CRI > 80
Light sharing	Symmetric

Operating technology of the luminaire	
System output	2.2 W
Voltage type	DC
AC nominal voltage max	230 V
DC nominal voltage max	3.7 V
Lamp	LED
Protection class	III
Degree of protection	IP54
Control	on/off
Bulb change possible	The light source of this luminaire may only be replaced by the manufacturer or a service technician commissioned by him or a similarly qualified person.

Mounting technology	
Mounting method	Surface mounting
Place of installation	Floor-mounted
Adjustability	Not adjustable
Further references	Outdoor
Suitable for through-wiring	No

**RUBI LED solar luminaire, IP54**

Article no. 65321103

Light.  
For Generations.

Packing data	
Gross weight	7.6 kg
Length of packaging	530 mm
Packaging width	200 mm
Packaging height	200 mm
Disposal at end of life	<p>This product must not be disposed of with household waste. You are obliged, to dispose of such electrical waste separately.</p> <p>By disposing of electrical waste and other old or defective electronics separately, you support recycling or other forms of re-use. In that way you help to take care and to avoid that harmful substances get into the environment.</p>