

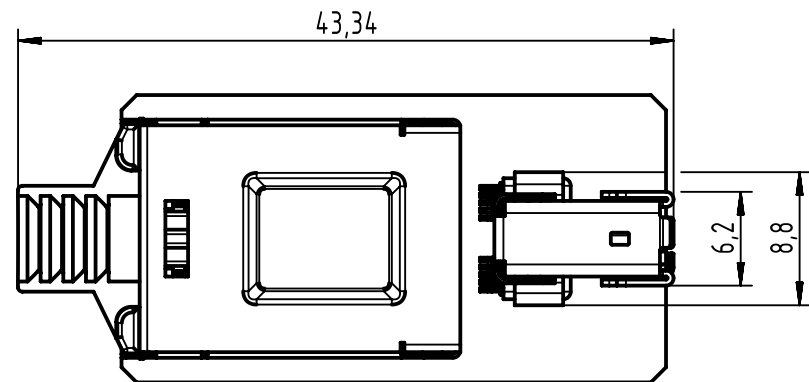
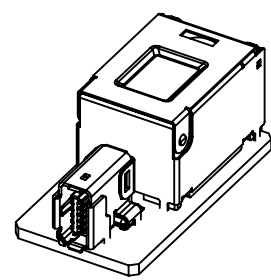
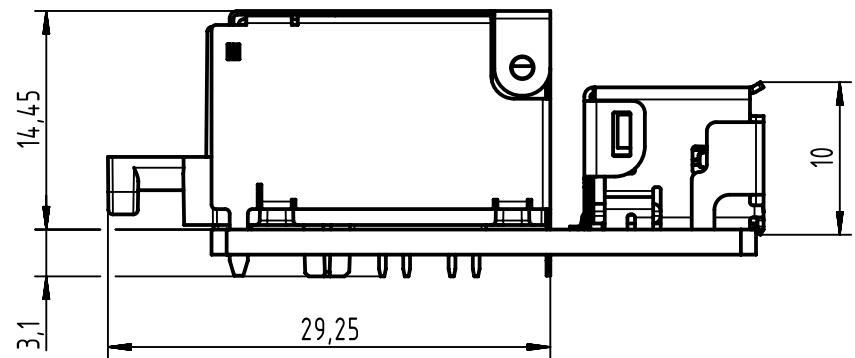
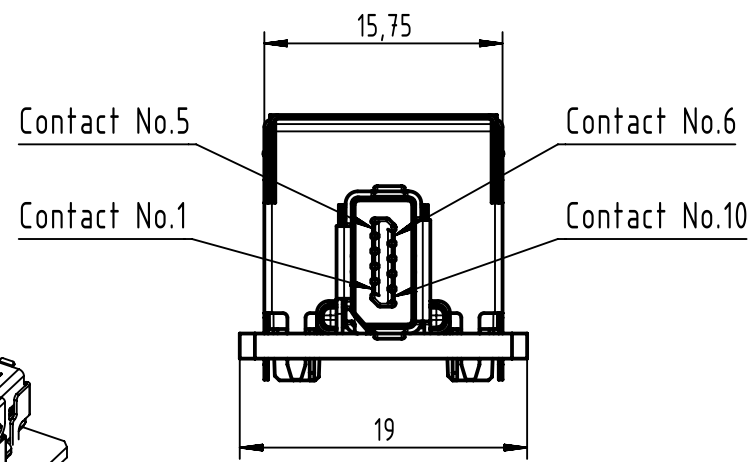
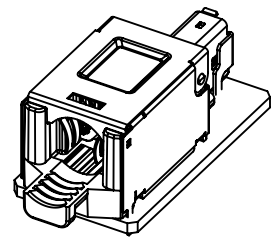
1 2 3 4 5 6

A

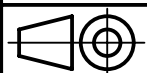
B

C

D



Pin	10BASE-T 100 BASE-TX	1/10GBASE-T
1	TX+	BI_DA+
2	TX-	BI_DA-
3	N.C.	GND
4	N.C.	BI_DC+
5	N.C.	BI_DC-
6	RX+	BI_DB+
7	RX-	BI_DB-
8	N.C.	GND
9	N.C.	BI_DD+
10	N.C.	BI_DD-



All Dimensions in mm
Original Size DIN A4

Scale
2:1

Free size tol.

Ref.

Sub.



All rights reserved
Department EL PD

Created by
POPESCUD

Inspected by
PRIESTER

Standardisation
HOFFMANN

Date
2018-06-26

State
Final Release

Title
preLink PCB to ix Industrial module

Doc-Key / ECM-Nr.
100793289/UGD/001/A
500000136762

Type
TB

Number
20820080001

Rev.
A

Page
1/1