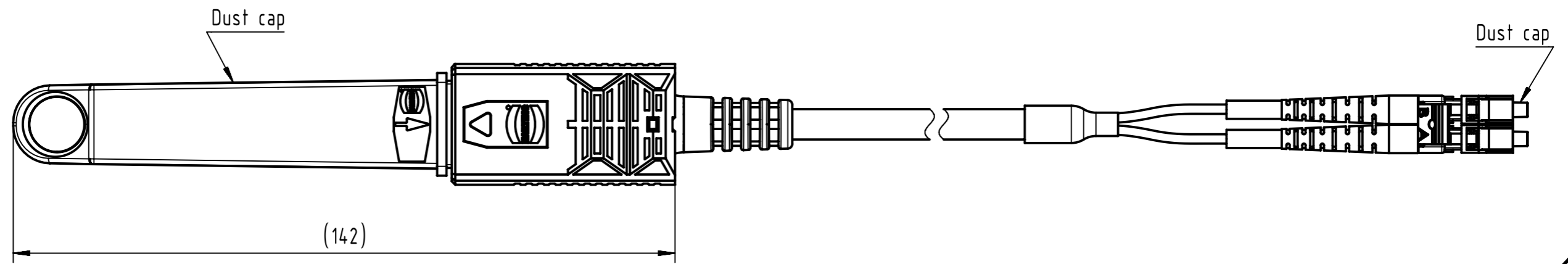
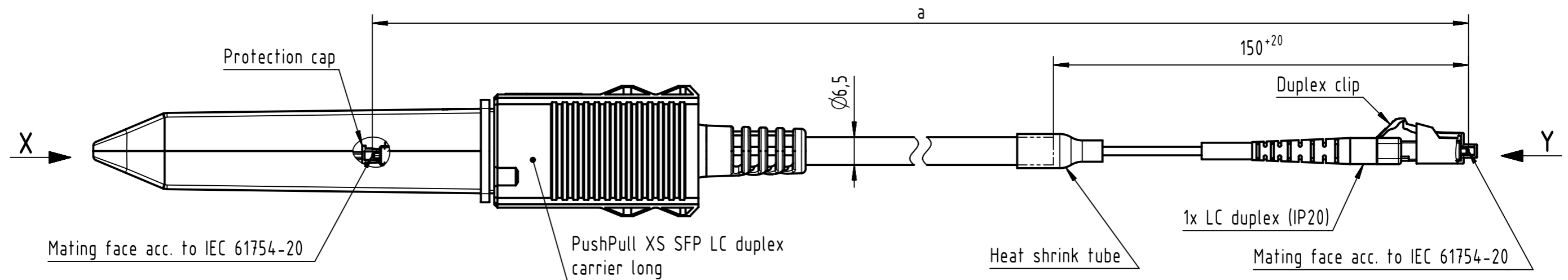


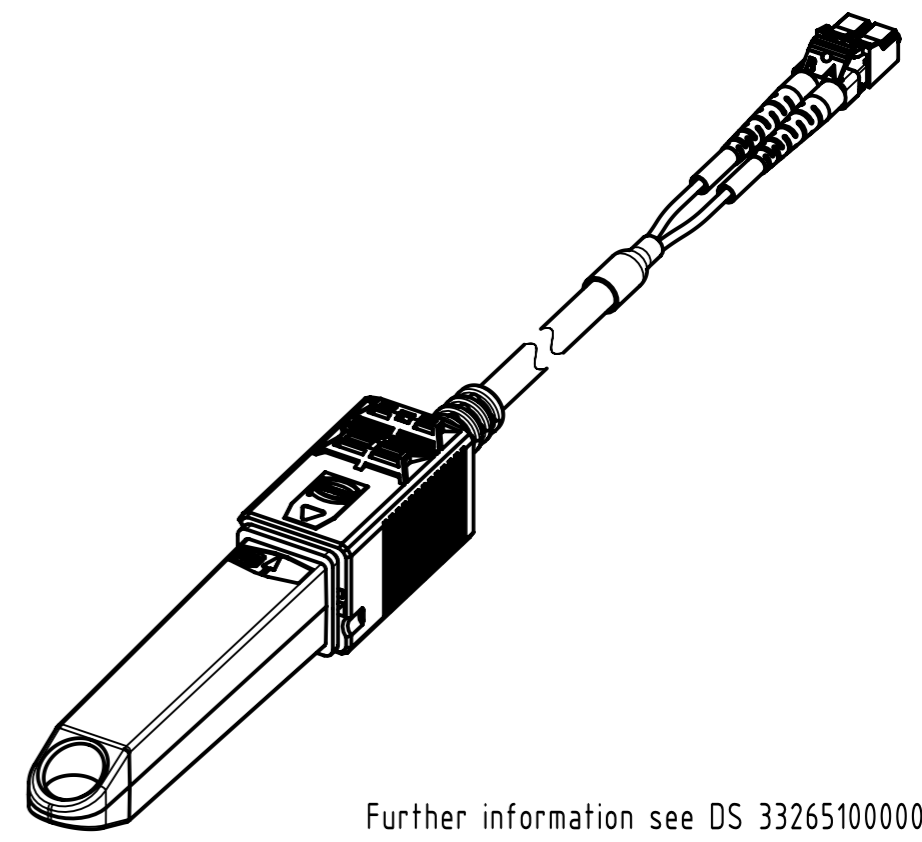
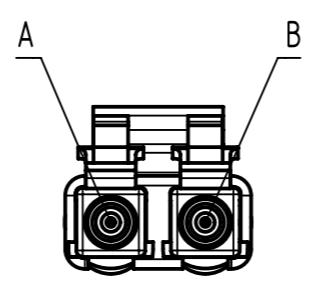
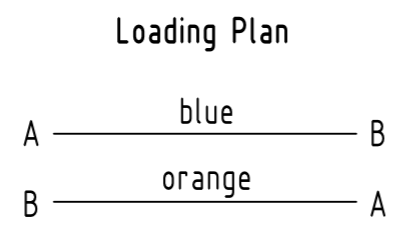
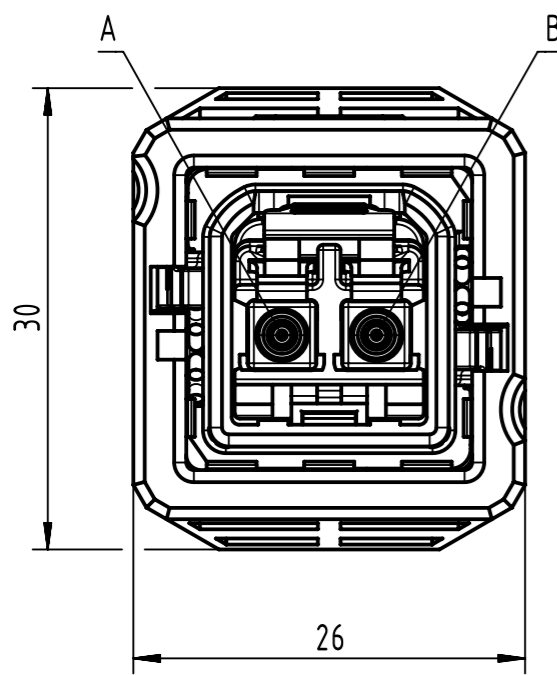
Connector Location A

Connector Location B



X male
(without dust cap and protection cap)

Y male
(without dust cap)



Further information see DS 33265100000


	All rights reserved	Created by 402676 Gross	Inspected by 402676 Gross	Standardisation COSTEA Costea	Date 2022-08-31	State Final Release
	Department HCS - RO	Title PP XS LCdx Lg - LCdx, MM Assy		Doc-Key / ECM-Nr. 100572207/UGD/034/G 50000219506		
HARTING Customised Solutions D-32339 Espelkamp		Type TB	Number 3326231XXX0013		Rev. G	Page 1/2


	1	2	3	4	5	6	7	8			
A									A		
B									B		
C	28	33262311250013	FO Breakout Cable, MM, 50/125µm, PUR, black, bend tolerant OM3	125	±1%				C		
	27	33262311000013		100							
	26	33262310900013		90							
	25	33262310800013		80							
	24	33262310700013		70							
	23	33262310600013		60							
	22	33262310500013		50							
	21	33262310450013		45							
	20	33262310400013		40							
	19	33262310350013		35							
	18	33262310300013		30							
	17	33262310250013		25							
	16	33262310200013		20							
D	15	33262310150013		15							D
	14	33262310140013		14							
	13	33262310130013		13							
	12	33262310120013		12							
	11	33262310110013		11							
	10	33262310100013		10							
	9	33262310090013		9							
E	8	33262310080013		8							E
	7	33262310070013		7							
	6	33262310060013		6							
	5	33262310050013		5							
	4	33262310040013		4							
	3	33262310030013		3							
	2	33262310020013		2							
	1	33262310010013		1							
F									F		
	Cont. no.	Part no.	Type of cable	Dim. a[m]							

FO Breakout Cable, MM, 50/125µm, PUR,
black, bend tolerant OM3

±1%

±0.03

 HARTING	All rights reserved Department HCS - RO	Created by 402676 Gross	Inspected by 402676 Gross	Standardisation COSTEA Costea	Date 2022-08-31	State Final Release	Doc-Key / ECM-Nr. 100572207/UGD/034/G 500000219506
	HARTING Customised Solutions D-32339 Espelkamp	Title PP XS LCdx Lg - LCdx, MM Assy		Rev. G			Page 2/2
	Type TB	Number 3326231XXX0013					

	All Dimensions in mm	Tech. Character.	Free size tol.	According to production drawing
---	----------------------	------------------	----------------	---------------------------------