

## Wall mounting socket outlet - housing dimensions 260x160



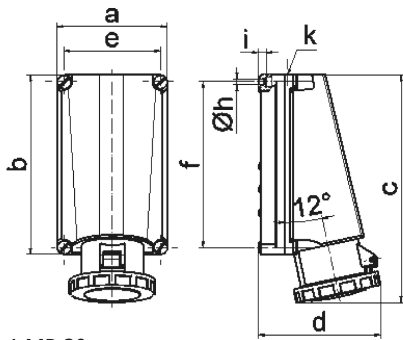
| Product description           |                             |
|-------------------------------|-----------------------------|
| BALS-Prd.-Nr                  | 11446                       |
| EAN                           | 4024941114462               |
| product category (PG)         | Wall mounting socket outlet |
| current (A)                   | 125A                        |
| number of poles (P99)         | 5p                          |
| number of poles (P)           | 3p+N+PE                     |
| position of earth contact (H) | 9 h                         |
| voltage (V)                   | 120/208 up to 144/250V      |

| Product description         |   |
|-----------------------------|---|
| frequency (HZ)              | 50 and 60Hz   |
| protection degree (SA)      | IP67  |
| colour code 1 (KF1)         | blue RAL 5015   |
| Colour of appliance         | Hinged lid blue RAL 5015, Bayonet ring grey RAL 7035, Housing screws grey RAL 7035, Housing bottom grey RAL 7035, Housing top grey RAL 7035 |
| connection design (AT)      | screw terminal as box terminal with Kontex-contact  |
| maximum conductor size (LQ) | 70.0 qmm  |
| cable entry (KE)            | 1xM50 from above  |
| Height                      | 332mm   |
| Width                       | 160mm   |
| Depth                       | 168mm   |
| dimension of enclosure (GG) | 260x160 mm (HxW)  |
| material of enclosure (GM)  | Polycarbonate   |
| contact                     | The contact carrier is made of high temperature resistant material, the contacts are brass nickel plated                                    |

| Additional technical properties |                                    |
|---------------------------------|------------------------------------|
|                                 | The cable entry is one at top open |

| Logistics data |                  |
|----------------|------------------|
| Weight/pcs     | 2.135 kg / Piece |
| Packaging      | Carton           |

| Logistics data |               |
|----------------|---------------|
| Content amount | 1 ST          |
| EAN            | 4024941114462 |
| Length         | 440 mm        |
| Width          | 225 mm        |
| Height         | 165 mm        |
| Weight         | 2.363 kg      |
| Volume         | 13,545 ccm    |



1 MB 20

| Ampere Polzahl             | 125<br>3 | 125<br>4 | 125<br>5 |  |  |  |
|----------------------------|----------|----------|----------|--|--|--|
| a                          | 160,0    | 160,0    | 160,0    |  |  |  |
| b                          | 260,0    | 260,0    | 260,0    |  |  |  |
| c                          | 330,0    | 330,0    | 330,0    |  |  |  |
| d                          | 168,0    | 168,0    | 168,0    |  |  |  |
| e                          | 140,0    | 140,0    | 140,0    |  |  |  |
| f                          | 240,0    | 240,0    | 240,0    |  |  |  |
| h ø                        | 8,3      | 8,3      | 8,3      |  |  |  |
| i                          | 10,0     | 10,0     | 10,0     |  |  |  |
| k                          | M50      | M50      | M50      |  |  |  |
| Leiter mm <sup>2</sup> min | 25       | 25       | 25       |  |  |  |
| Leiter mm <sup>2</sup> max | 70       | 70       | 70       |  |  |  |
|                            |          |          |          |  |  |  |
|                            |          |          |          |  |  |  |