

## Panel mounting socket outlet, angled TN - flange 114x114, fixing centers 90x90

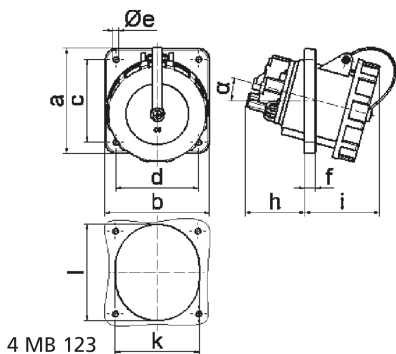


Product description	
BALS-Prd.-Nr	12088
EAN	4024941120883
Product category	TN panel mounting socket outlet, angled
Current	63A
Number of poles	5p
Poles	3p+N+PE
Position of earth contact	6 h
Voltage	200/346 up to 240/415V

Product description	
Frequency	50 and 60Hz
VG-Type-No.:	VG 96919 BS 009
Supplynumber:	5935-12-347-4133
Protection degree	IP67
Colour code	bronze-green RAL 6031-F9
Colour of appliance	Bayonet ring bronze-green RAL 6031-F9, Hinged lid bronze-green RAL 6031-F9, Enclosure bronze-green RAL 6031-F9
Connection design	screw terminal as box terminal with Kontex-contact
Maximum conductor size	25.0 qmm
Cable entry	other
Height	124mm
Width	114mm
Depth	144mm
Flange size vertical	114mm
Flange size horizontal	114mm
Drill hole distance vertical	90mm
Drill hole distance horizontal	90mm
Material of enclosure	Polyamide
Contact	The contact carrier is made of high temperature resistant material, the contacts are brass nickel plated

Additional technical properties	
	The inclination is 15°, with pilot contact
	With bayonet cover on strap

Logistics data	
Weight/pcs	0.63 kg / Piece
Packaging	Carton
Content amount	5 ST
EAN	4024941838771
Length	295 mm
Width	185 mm
Height	215 mm
Weight	3.311 kg
Volume	9,975 ccm



Ampere Polzahl	63 3	63 4	63 5	125 3	125 4	125 5
a	114,0	114,0	114,0	114,0	114,0	114,0
b	114,0	114,0	114,0	114,0	114,0	114,0
c	90,0	90,0	90,0	90,0	90,0	90,0
d	90,0	90,0	90,0	90,0	90,0	90,0
e ø	5,5	5,5	5,5	6,5	6,5	6,5
f	12,0	12,0	12,0	12,0	12,0	12,0
h	65,0	65,0	65,0	82,0	82,0	82,0
i	82,0	82,0	82,0	90,0	90,0	90,0
k	92,0	92,0	92,0	92,0	92,0	92,0
l	92,0	92,0	92,0	105,0	105,0	105,0
α	15°	15°	15°	15°	15°	15°
Leiter mm <sup>2</sup> min	6,0	6,0	6,0	25,0	25,0	25,0
Leiter mm <sup>2</sup> max	25,0	25,0	25,0	70,0	70,0	70,0