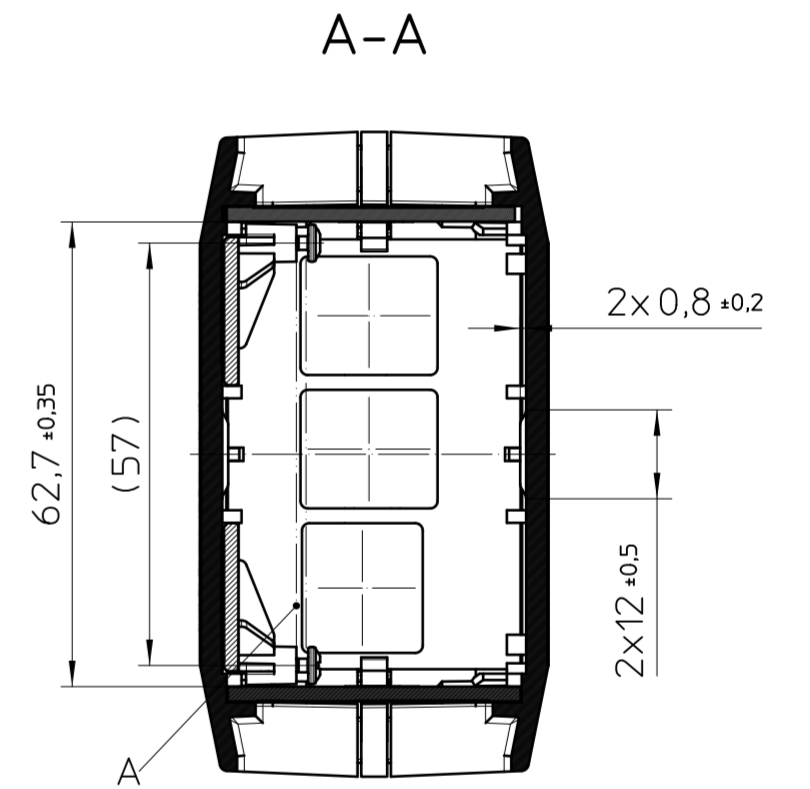
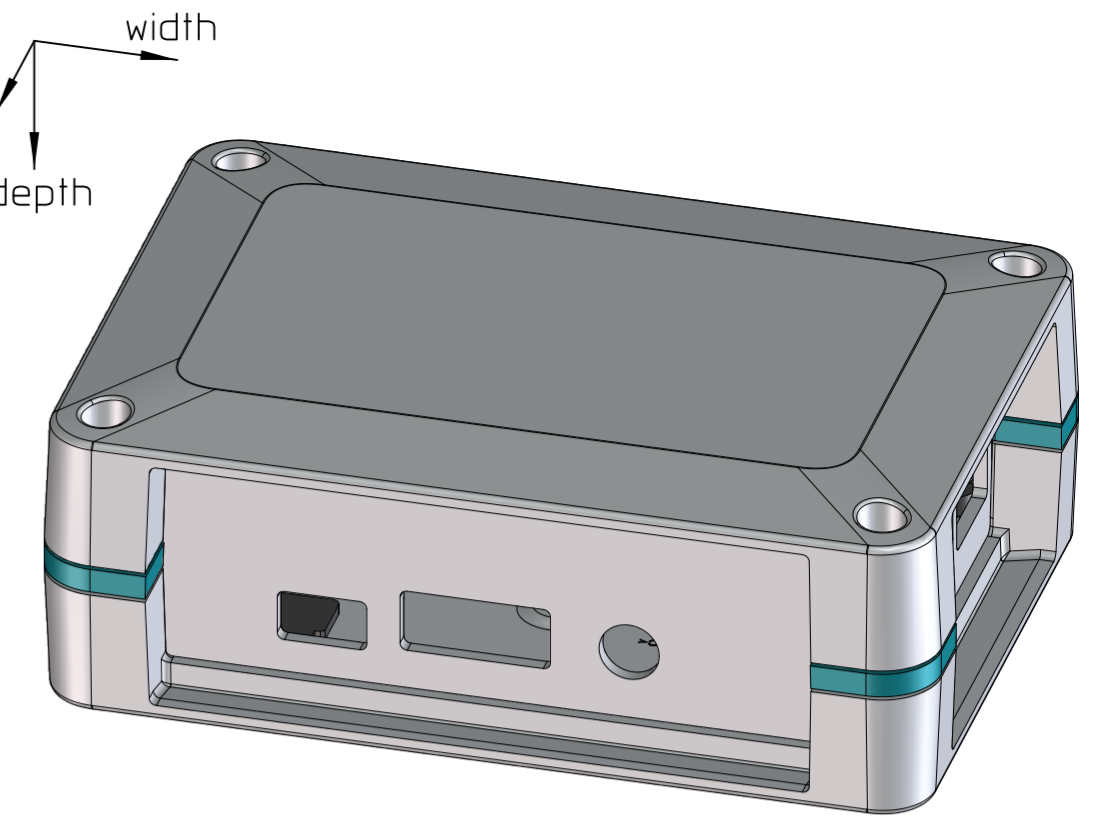
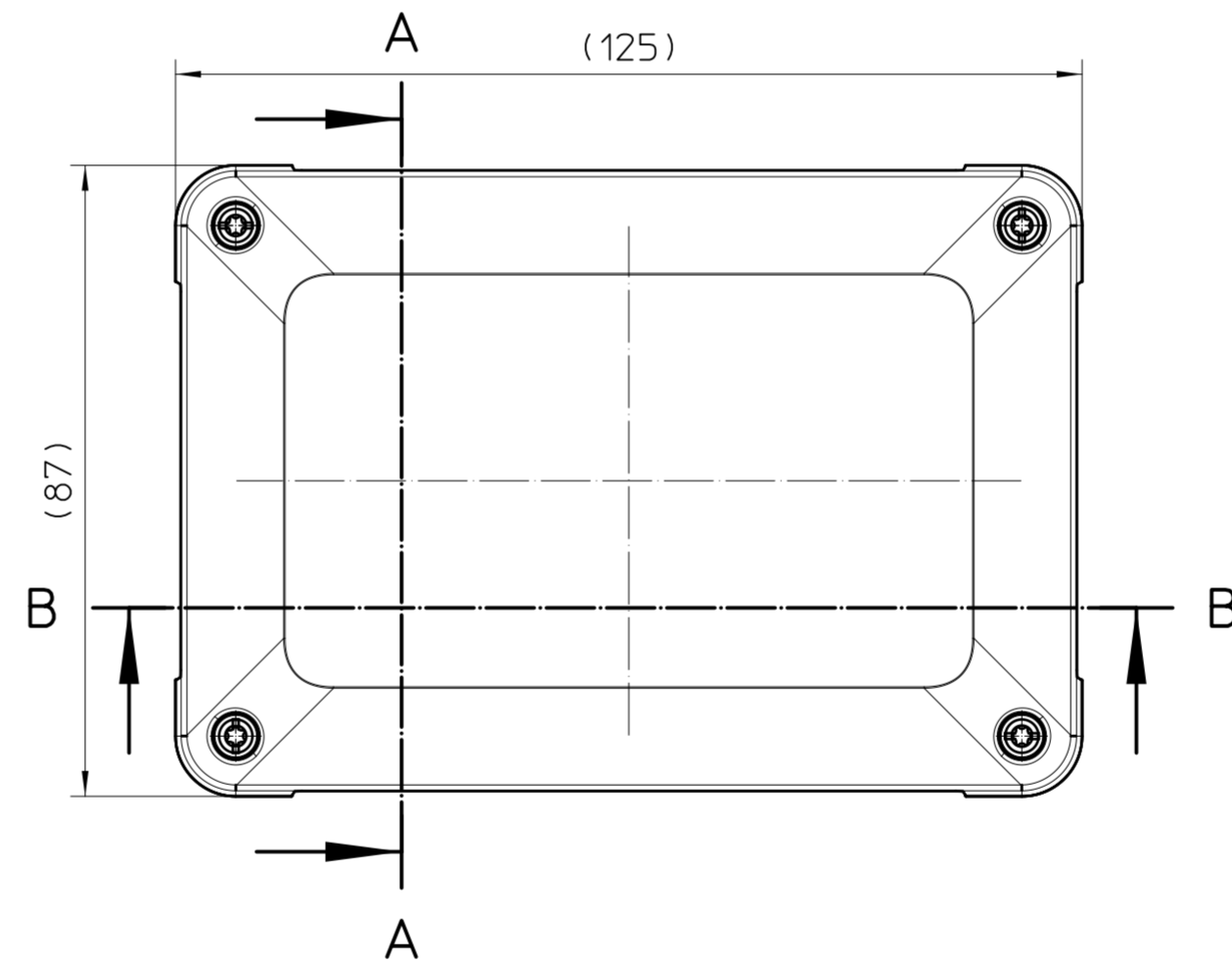
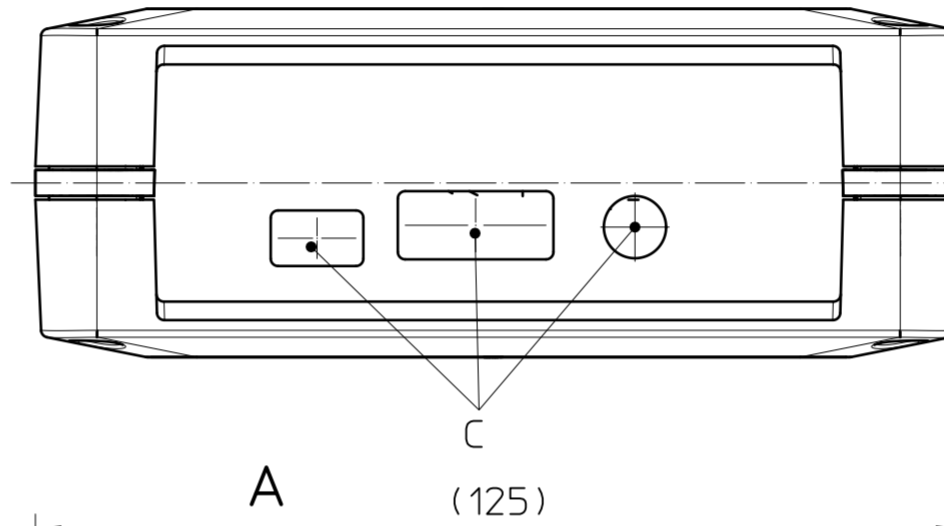
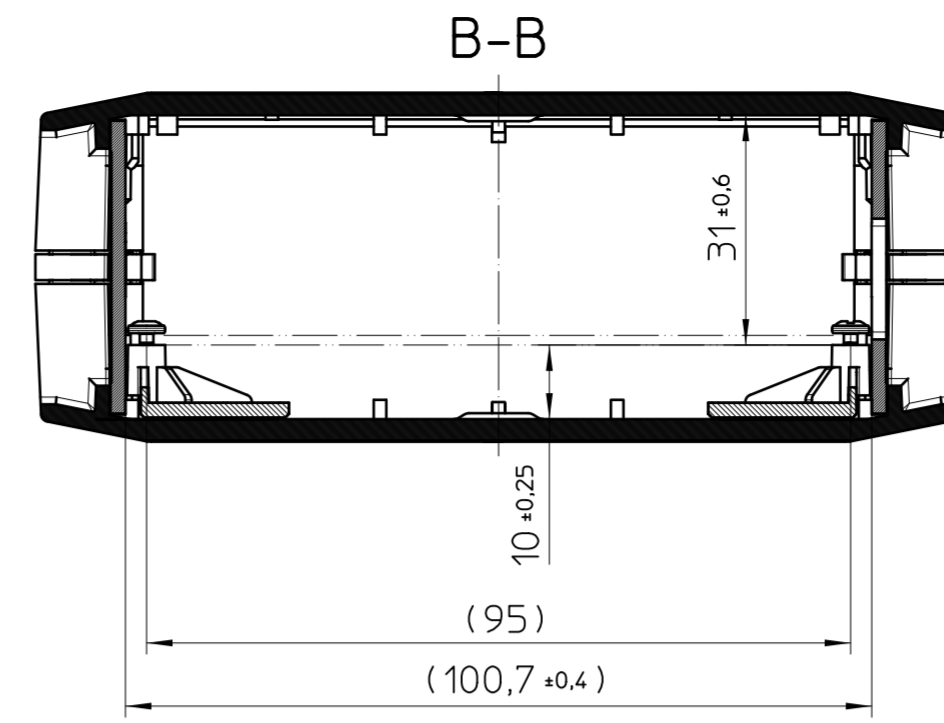
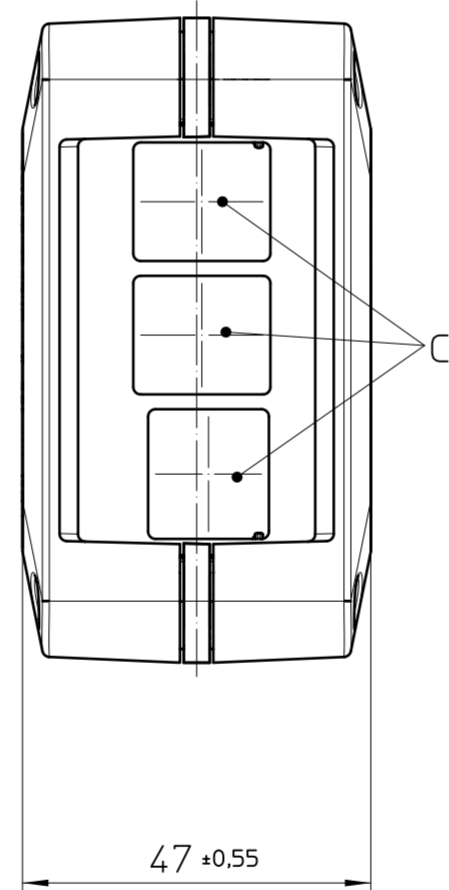
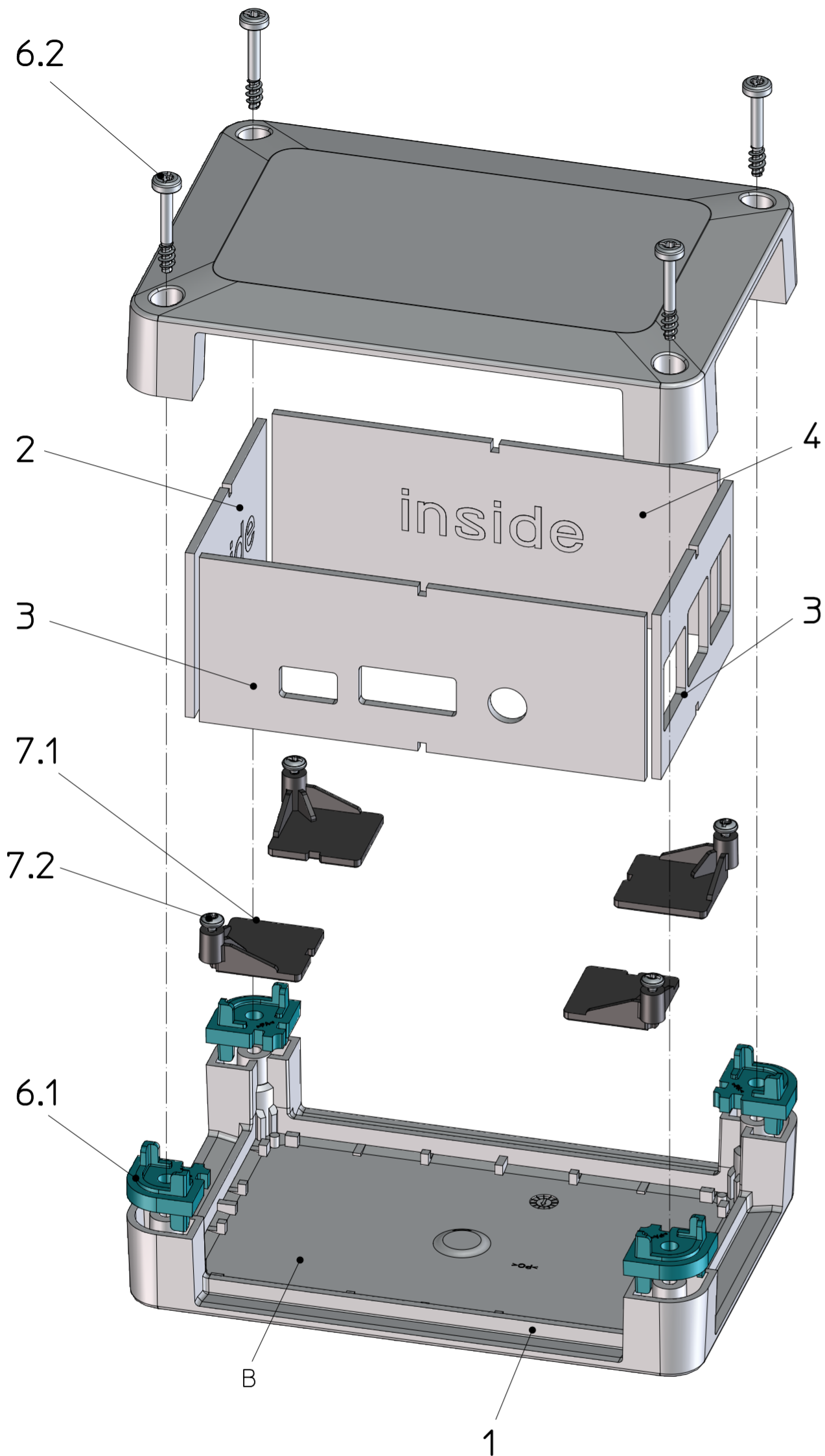


Transfer or duplication of this document as well as the utilisation or communication of its content are not permitted unless express consent is granted. Violations give rise to claims for damages. All rights reserved in case of patent, utility model or design patent registrations. Tolerance specifications do not include clearances inherent in the design.

Weitergabe sowie Vervielfältigung dieses Dokuments, Verwertung und Mitteilung seines Inhalts sind verboten, soweit nicht ausdrücklich gestattet. Zuwiderhandlungen verpflichten zu Schadensersatz. Alle Rechte für den Fall der Patent-, Gebrauchsmuster- oder Designeintragung vorbehalten. Bauabfertigung des Spiel ist in den Toleranzangaben nicht berücksichtigt.



General Information:

- Simplified representation, exemplary shown in gray and for Corner Connector Dome (6.1) turquoise and for Glue Dome (7.1) black
- Tolerances apply in a normal climate according to DIN EN ISO 291-23/50-2, PA plastic parts with about 2% (% by weight) moisture content.
- Web: www.phoenixcontact.com webcode: #0853

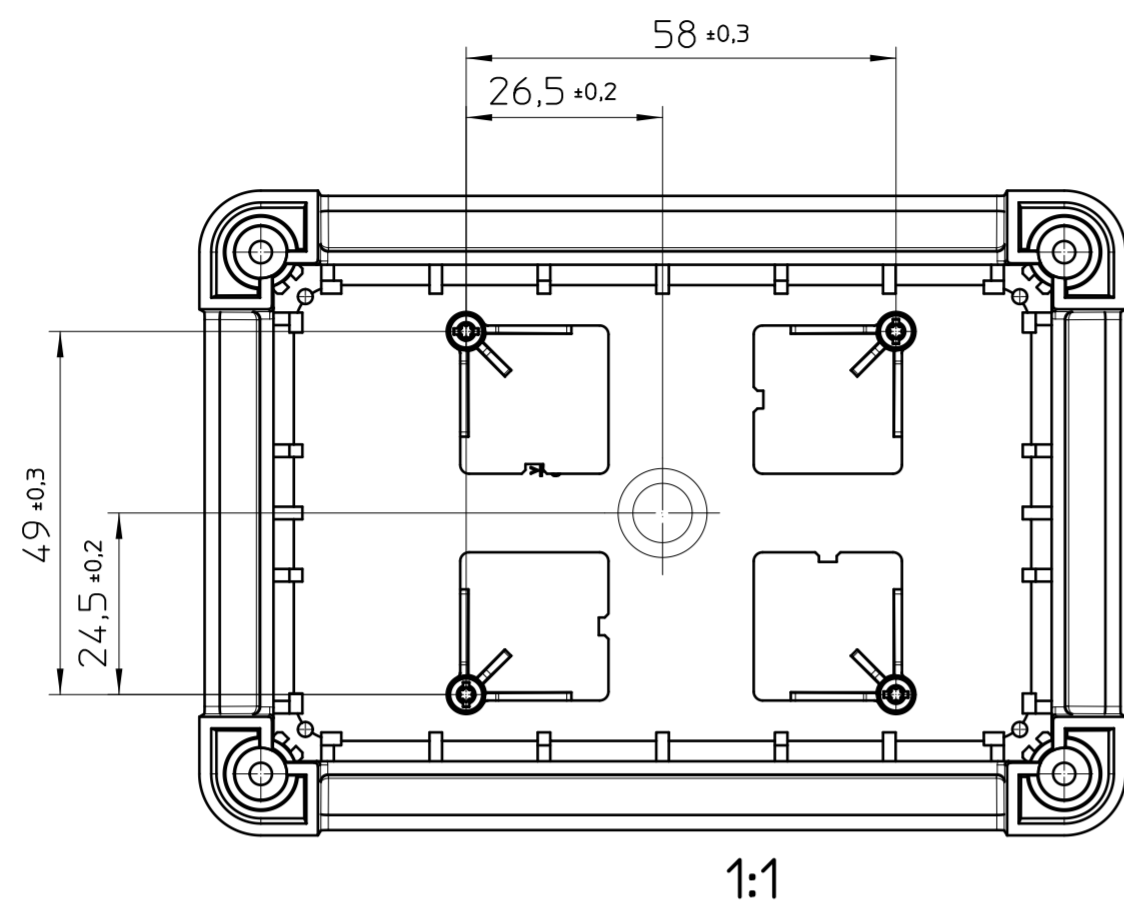
Additional Information:

- A. PCB $t=0,8-3\text{mm}$
- B. Free position for UCS GD (Pos.7.1+7.2) example position for max. PCB
- C. Cut-out RPI

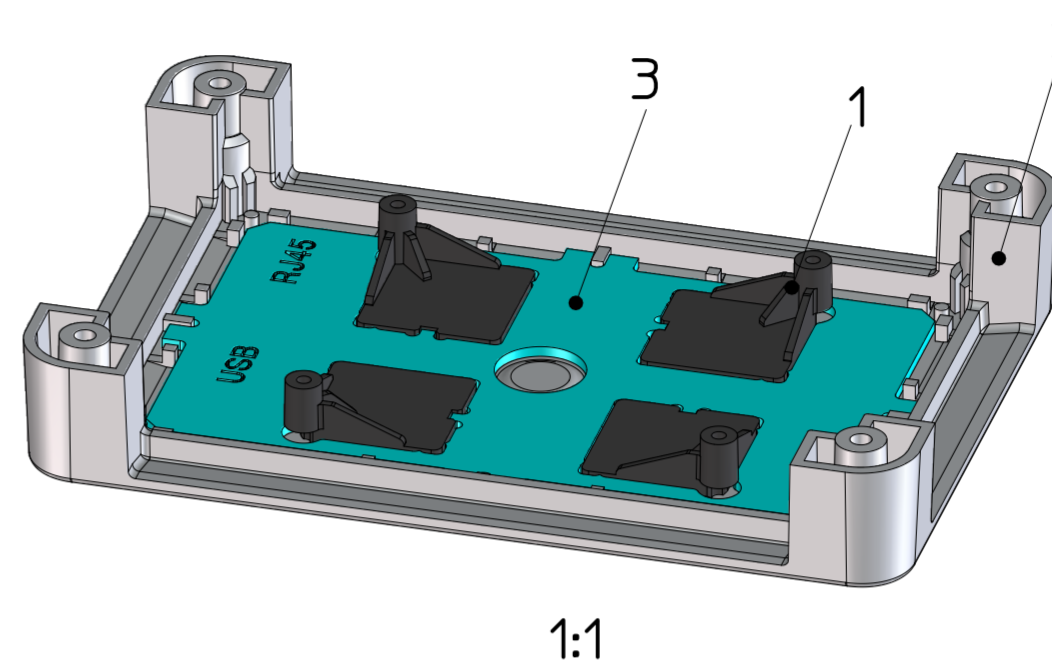
KIT (not mounted)			
Pos.	QTY	Description	Item number
1	2	HALF HOUSING 125-87	2203349
2	1	SIDE WALL 87 FLAT	2203358
3	1	SIDE WALL 87 FLAT RPI-RJ45-USB	
4	1	SIDE WALL 125 FLAT	2203364
5	1	SIDE WALL 125 FLAT RPI-HDMI	
6	1	CORNER CONNECTOR KIT	2203404
6.1	4	CORNER CONNECTOR	
6.2	4	SCREW PT 3,4X40 TORX	
7	1	GLUE DOME KIT	2203401
7.1	4	GLUE DOME	
7.2	4	SCREW PT 2,5X8 TORX	

	document-no. / ri	article-no.	scale	- Simplified representation - Document excluded from change process - Linear dimensions (mm)
	01195929 / 03	1019723	1:1	
	date	document-type		
	11.09.2023			
page 1	of 4	description UCS 125-87-F-GD-RPI 9005		

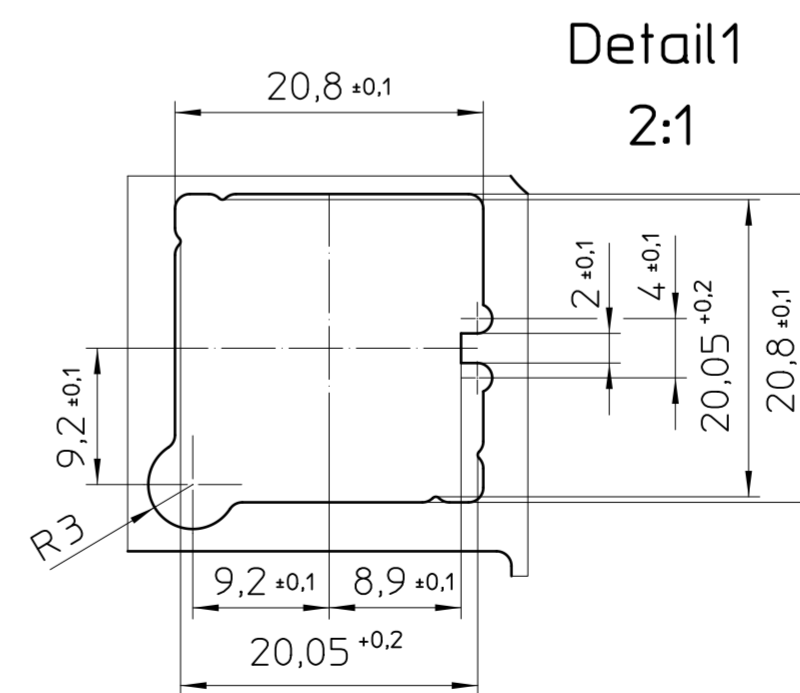
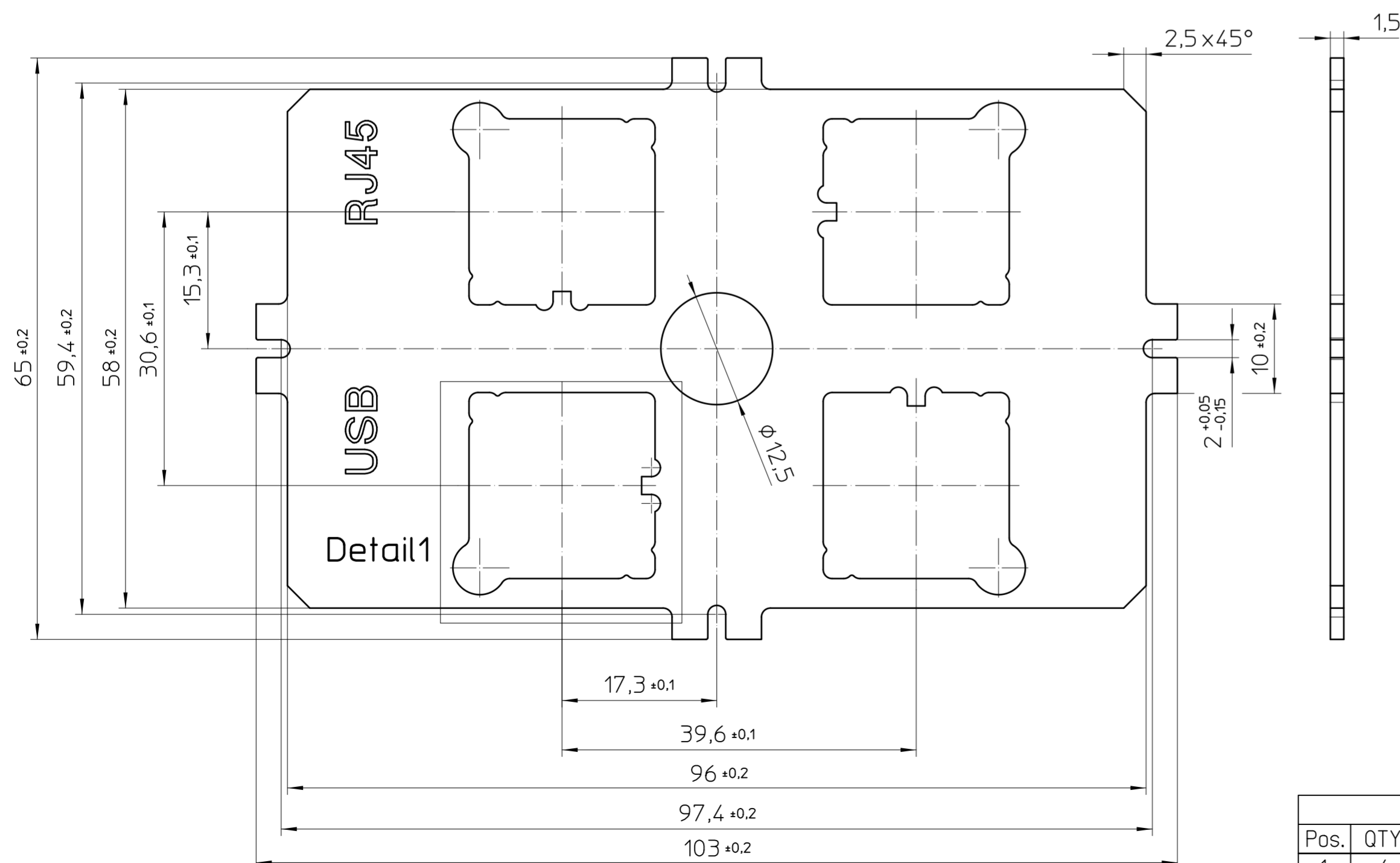
Positioning UCS GD in UCS HH 125-87 (pre-stage)



Mounting information for UCS GD



Recommended template for positioning UCS GD RPI 2B/3B/4B



- General Information:
- Tolerances and dimensions apply in a normal climate according to DIN EN ISO 291-23/50-2,
 - Tolerances for mechanical processing are ISO 2768-m
 - symmetry: 0,2
 - Machining radii min. R1

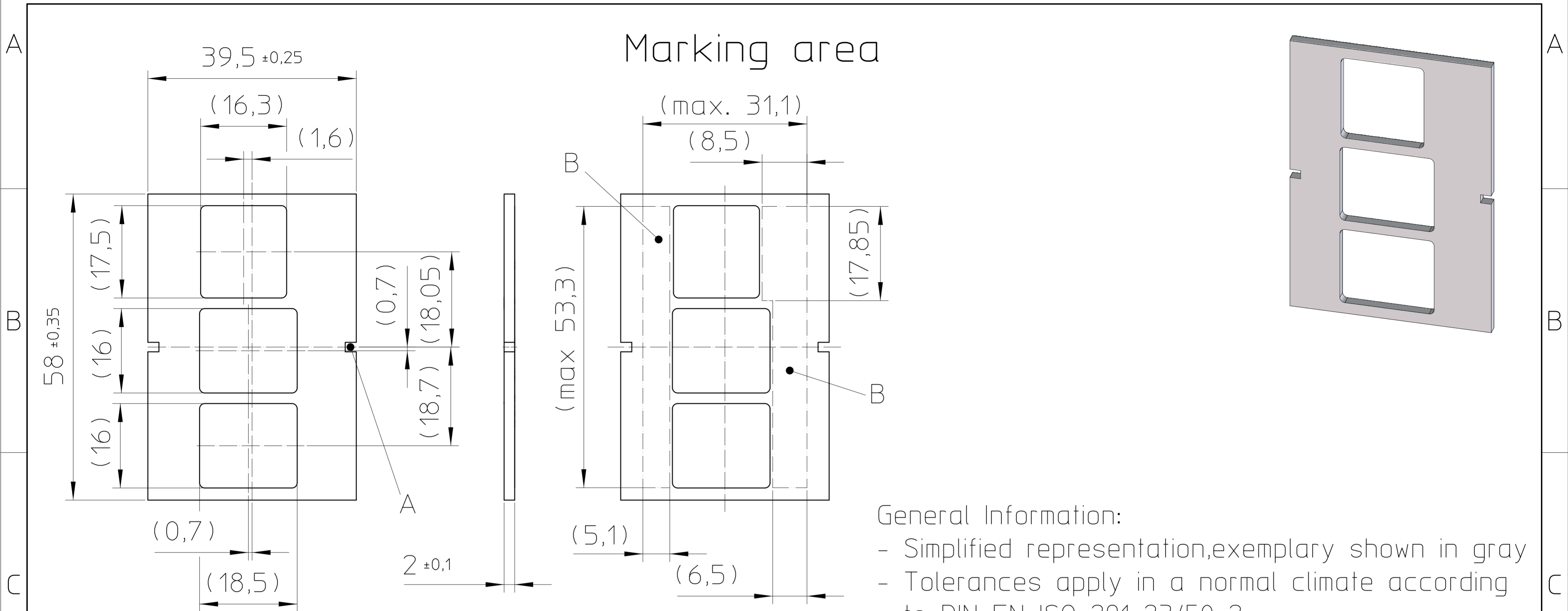
3. recommended template for UCS HH 125-87

Pos.	QTY	Description
1	4	UCS GD
2	1	UCS HH 125x87

DIN A2		document-no. / ri	article-no.	scale	- Simplified representation - Document excluded from change process - Linear dimensions (mm)
PHENIX CONTACT		01195929 / 03	1019723	2:1	
page 2 of 4		date	document-type	description	
		11.09.2023		UCS 125-87-F-GD-RPI 9005	

Weitergabe sowie Vervielfältigung dieses Dokuments, Verwertung und Mitteilung seines Inhalts sind verboten, soweit nicht ausdrücklich gestattet. Zuwiderhandlungen verpflichten zu Schadensersatz. Alle Rechte für den Fall der Patent-, Gebrauchsmuster- oder Designeintragung vorbehalten. Bauabfertigung ist in den Toleranzangaben nicht berücksichtigt.

Transfer or duplication of this document as well as the utilisation or communication of its content are not permitted unless express consent is granted. Violations give rise to claims for damages. All rights reserved in case of patent, utility model, or design patent registrations. Tolerance specifications do not include clearances inherent in the design.



General Information:

- Simplified representation, exemplary shown in gray
- Tolerances apply in a normal climate according to DIN EN ISO 291-23/50-2.
- Web: www.phoenixcontact.com webcode: #0853

Additional Information:

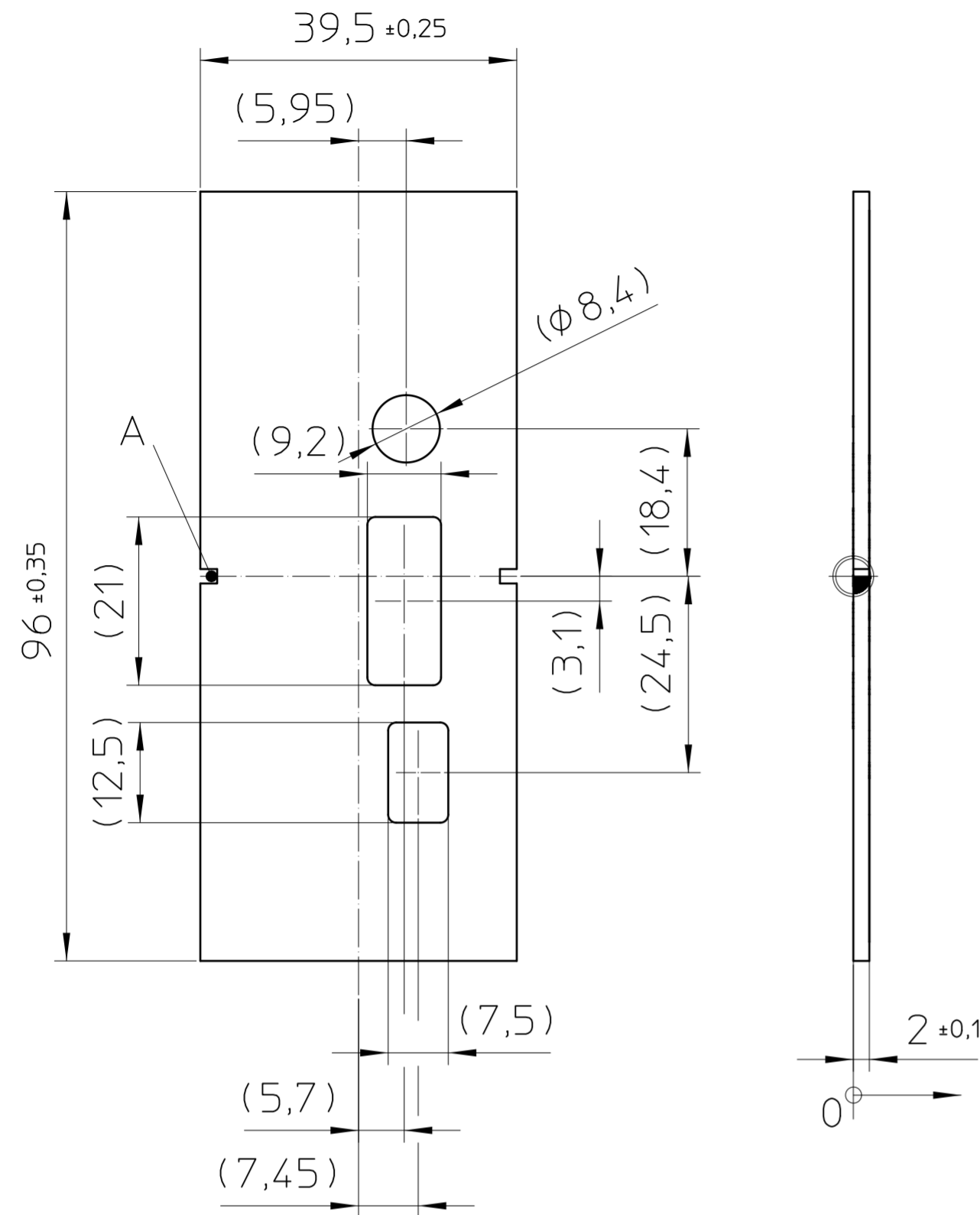
- A. centering lug for UCS HH...
- B. marking area with standard printing process
 - other printing processes on request

Pos.	QTY	Description	Material
1	1	SIDE WALL 87 FLAT	PC

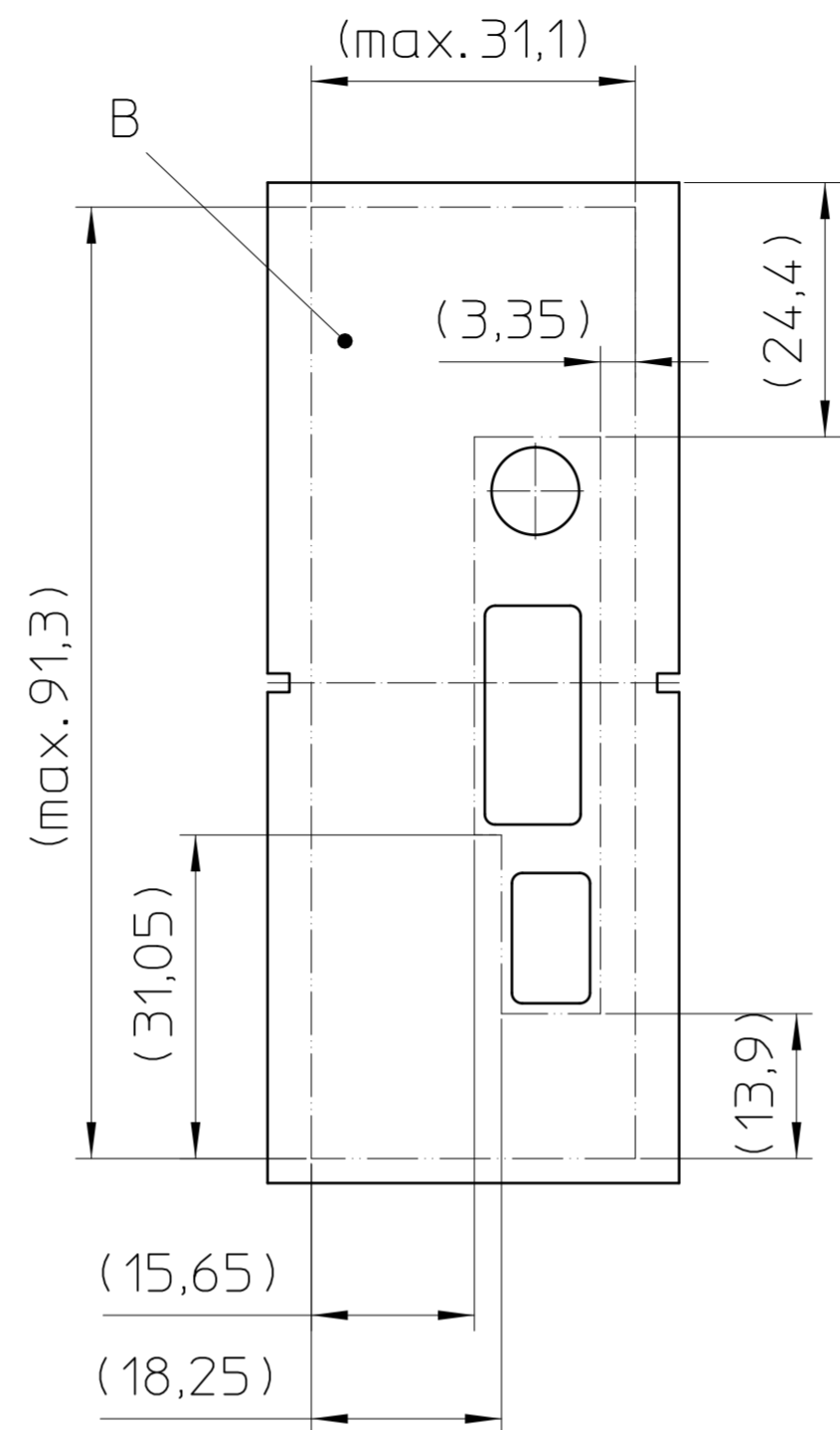
DIN A4		document-no. / ri	article-no.	scale	- Simplified representation - Document excluded from change process - Linear dimensions [mm]
		01195929 / 03	1019723	1:1	
page 3 of 4		date	document-type		
		description		UCS 125-87-F-GD-RPI 9005	

Transfer or duplication of this document as well as the utilisation or communication of its content are not permitted unless express consent is granted. Violations give rise to claims for damages. All rights reserved in case of patent, utility model or design patent registrations. Tolerance specifications do not include clearances inherent in the design.

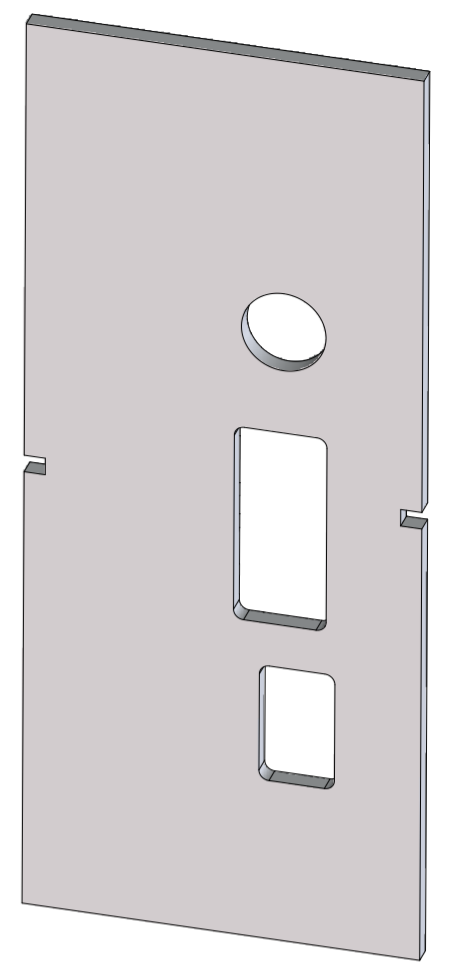
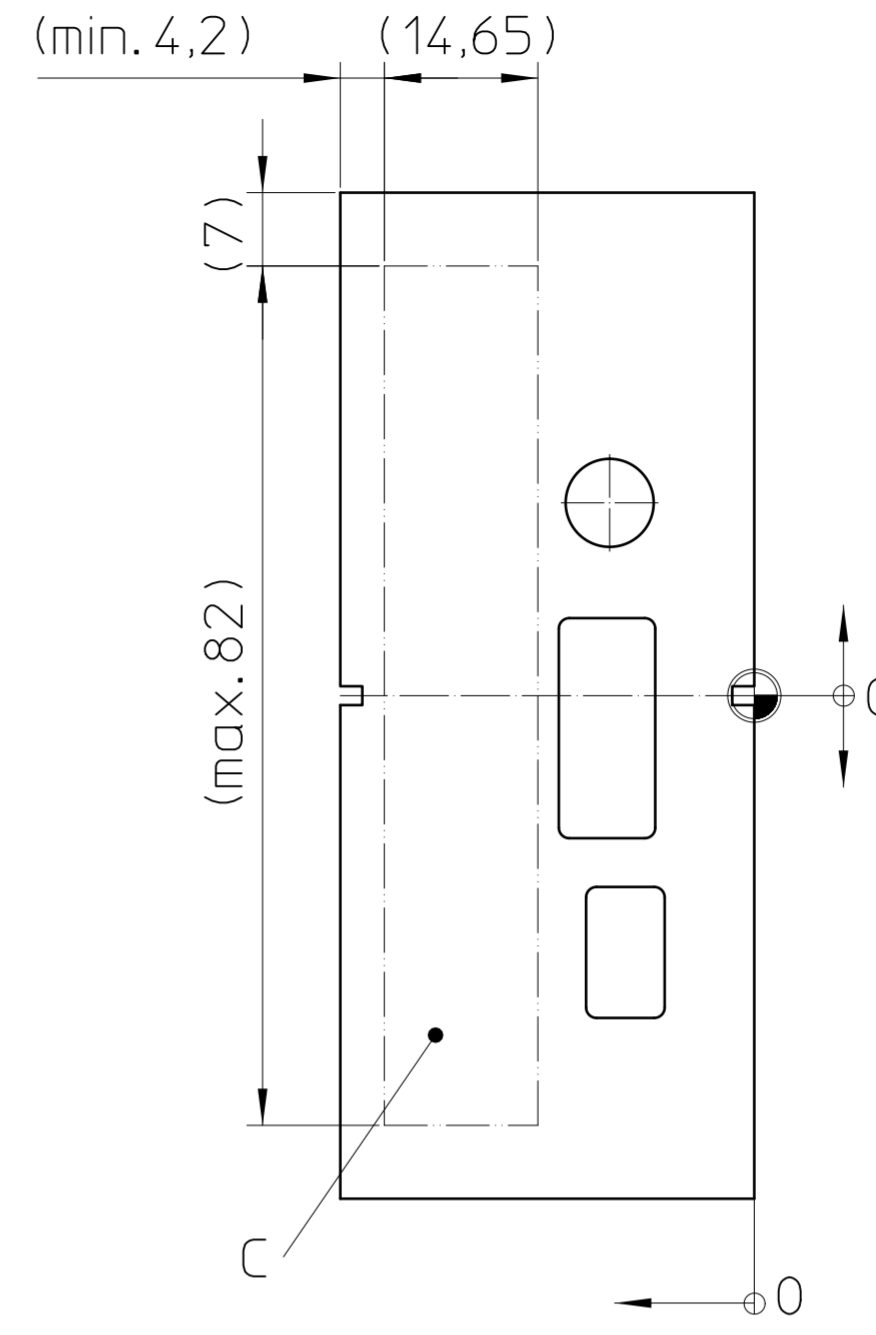
Weitergabe sowie Vervielfältigung dieses Dokuments, Verwertung und Mitteilung seines Inhalts sind verboten, soweit nicht ausdrücklich gestattet. Zuwiderhandlungen verpflichten zu Schadenersatz. Alle Rechte für den Fall der Patent-, Gebrauchsmuster- oder Designeintragung vorbehalten. Bauartbedingtes Spiel ist in den Toleranzangaben nicht berücksichtigt.



Marking area



Machining area



General Information:

- Simplified representation, exemplary shown in gray
- Tolerances apply in a normal climate according to DIN EN ISO 291-23/50-2.
- Web: www.phoenixcontact.com webcode: #0853

Additional Information:

- A. centering lug for UCS HH...
- B. max. marking area with standard printing process
 - other printing processes on request
- C. max. machining area
 - min. continuous outerbar width 7mm and 4,2mm
 - processing radii R1
 - further on request

- ⊕ = Workpiece zero point for mechanical processing
- Tolerances for mechanical processing:
 - milled to workpiece zero point ±0,2
 - milled to other reference points ±0,1

Pos.	QTY	Description	Material
1	1	SIDE WALL 125 FLAT	PC

	document-no. / ri	article-no.	scale	- Simplified representation - Document excluded from change process - Linear dimensions [mm]
	01195929 / 03	1019723	1:1	
	date	document-type	UCS 125-87-F-GD-RPI 9005	
	11.09.2023			
page 4	of 4			