

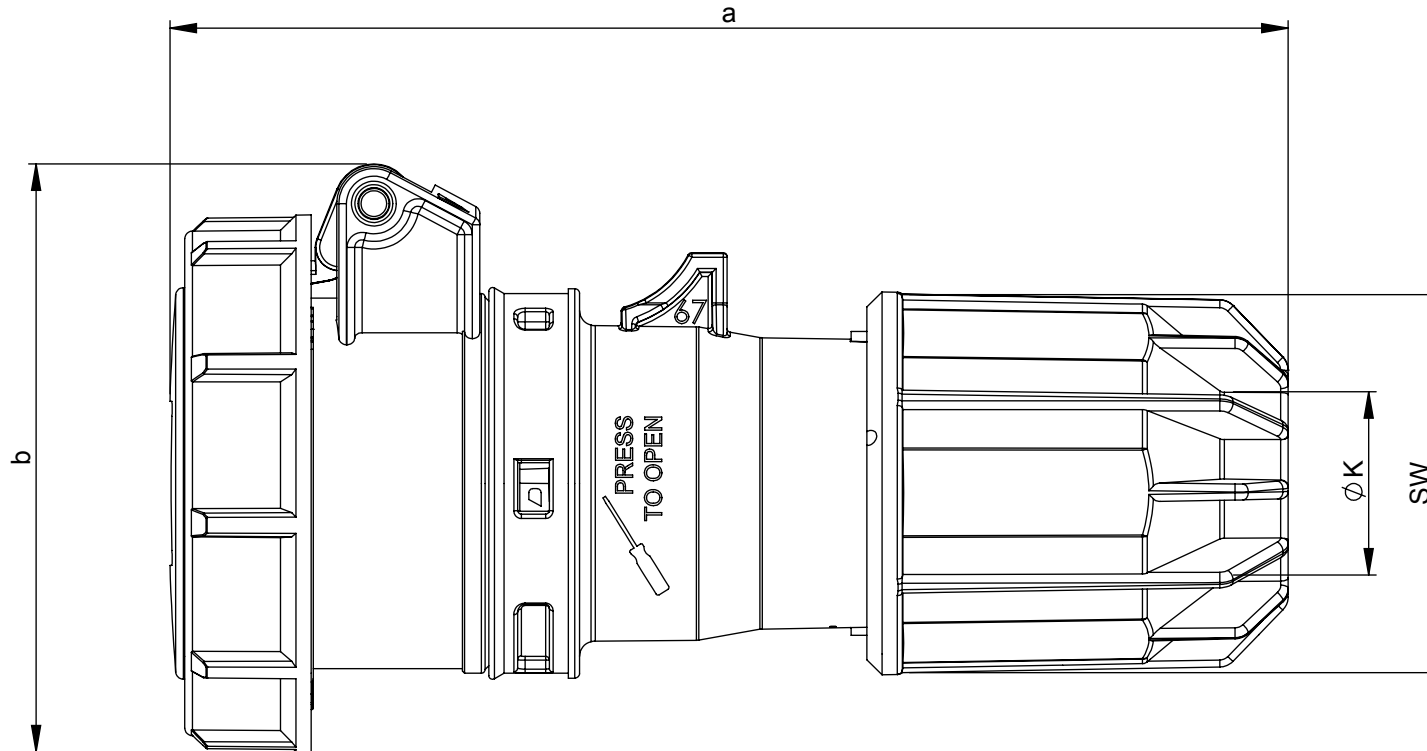
# Maßskizze / dimensional drawing

Benennung: Kupplung IP67 Kleinspannung

description: Connector IP67 extra low voltage

Teilenummer / part number: 2622\*, 2632\*, 2722\*, 2732\*, 2822\*, 2832\*, 2922\*, 2932\*

PCE



| Ampere  | 16     |        | 32     |        |
|---------|--------|--------|--------|--------|
| Pole    | 2      | 3      | 2      | 3      |
| a [mm]  | 150    | 150    | 150    | 150    |
| b [mm]  | 78     | 78     | 78     | 78     |
| K [mm]  | 9,5-24 | 9,5-24 | 9,5-24 | 9,5-24 |
| SW [mm] | 48     | 48     | 48     | 48     |