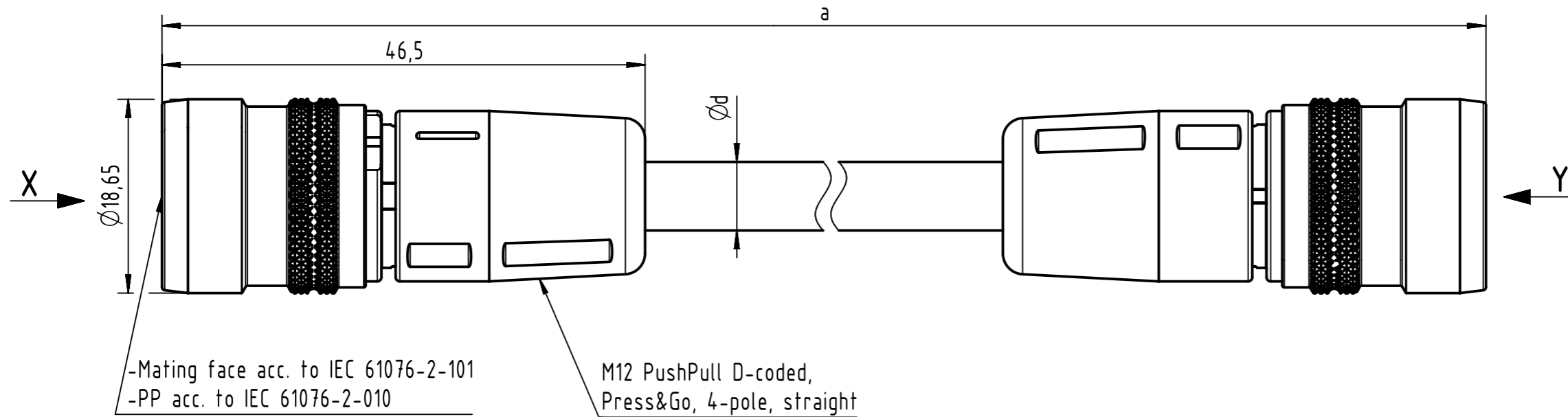


Connector Location A

Connector Location B



-Mating face acc. to IEC 61076-2-101
-PP acc. to IEC 61076-2-010

M12 PushPull D-coded,
Press&Go, 4-pole, straight

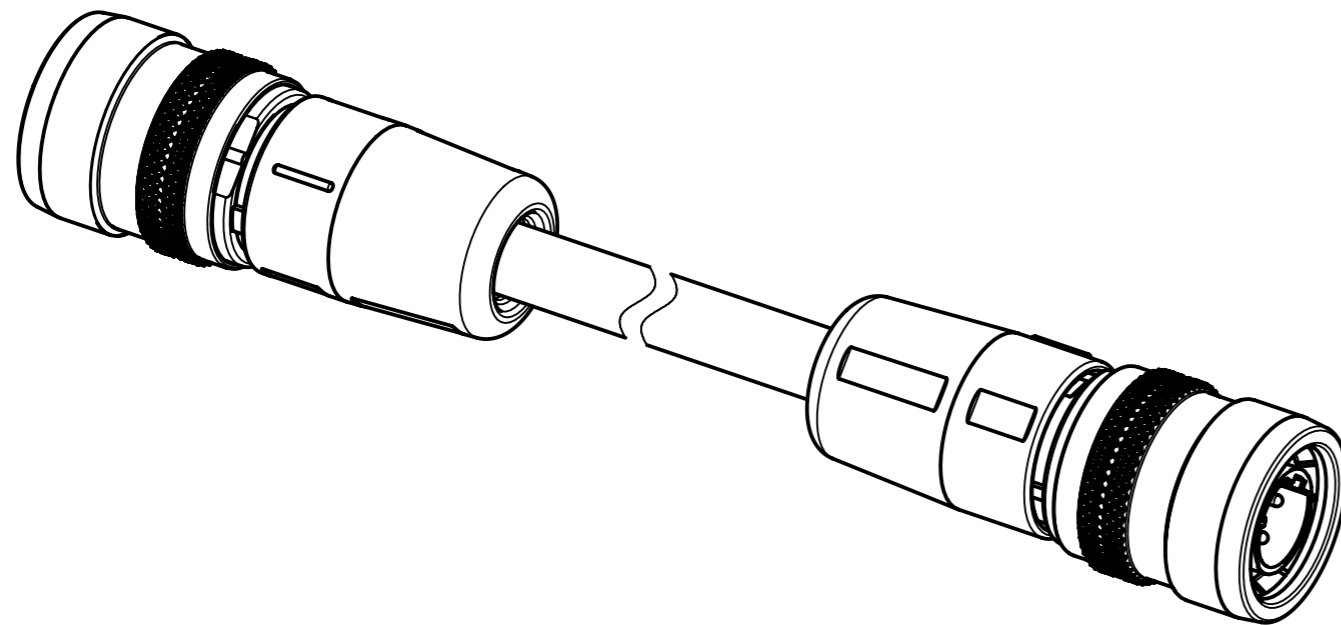
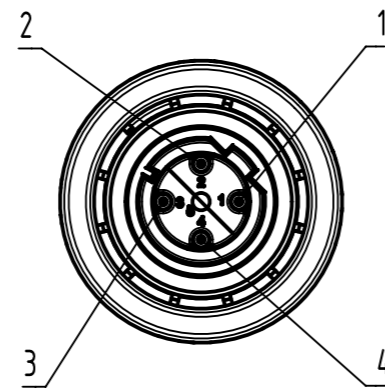
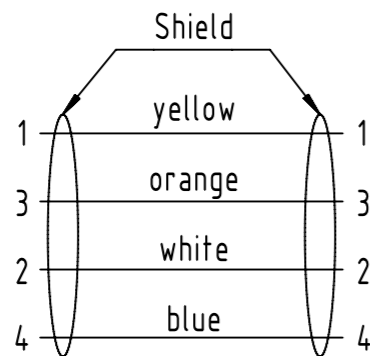
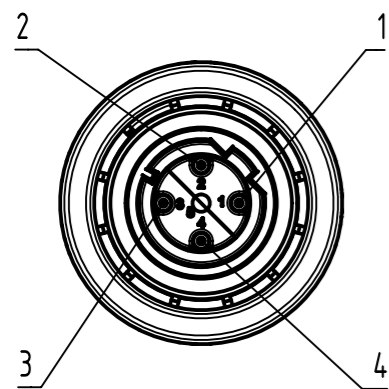
length in "1m" step	100	XXX=000
	99	XXX=990
	.	.
	12	XXX=120
	11	XXX=110
length in "0.1m" step	10	XXX=100
	9.9	XXX=099
	9.8	XXX=098
	.	.
	0.5	XXX=005
	0.4	XXX=004
	0.3	XXX=003
	0.2	XXX=002
Step	a[m]	XXX

6.0 to 100	±1%
0.6 to 5.9	+0.04
0.2 to 0.5	+0.02
a [m]	Tolerance

X male

Y male

Loading Plan



Part no.	213323234XXX'XXX'
----------	-------------------

Type of cable	Temp.	Dim d[mm]	XX
HAR PROFINET Typ B 4xAWG 22/7 PVC outdoor black	-30°C...+70°C	6.5 ±0.3	XX=15
Ha-Vis EtherRail 4xAWG 22/7 CAT5 blue	-40°C...+85°C	6.6 ±0.2	XX=13
HAR PROFINET Typ C 4xAWG 22/7 PUR Trail. green	-30°C...+70°C	6.5 ±0.3	XX=07
Ha-Vis EtherRail 4xAWG 22/7 CAT5 black	-40°C...+85°C	6.6 ±0.2	XX=01

All Dimensions in mm
 Tech. Character.
 Free size tol.
 According to production drawing

All rights reserved Department HCS - RO HARTING Customised Solutions D-32339 Espelkamp	Created by BANIUD Banciu	Inspected by 402676 Gross	Standardisation MUNTEANV Muntean	Date 2023-07-06	State Final Release
	Title M12 D-coded Cable Assembly				Doc-Key / ECM-Nr. 100669389/UGD/000/E 5000024.784.7
	Type TB	Number 213323234XXXXX		Rev. E	Page 1/1