

HOLLY LED IP65



EN	Installation Instructions	IT	Istuzioni di montaggio
DE	Montageanleitung	LT	Montavimo Instrukcijos
CZ	Montážní návod	LV	Instalācijas instrukcija
DK	Monteringsvejledning	NO	Monteringsanvisning
EE	Paigaldusjuhend	PL	Instrukcja montażu
FI	Asennusohje	SE	Installationsanvisning
FR	Notice de montage	RU	Инструкция по монтажу
HU	Szerelési útmutató	SRB	Instrukcija za instalaciju
HR	Uputstvo za montažu	SK	Montážny návod
NL	Montagehandleiding	SLO	Navodilo za montažo
RO	Instructiuni de montaj	CN	安装说明书

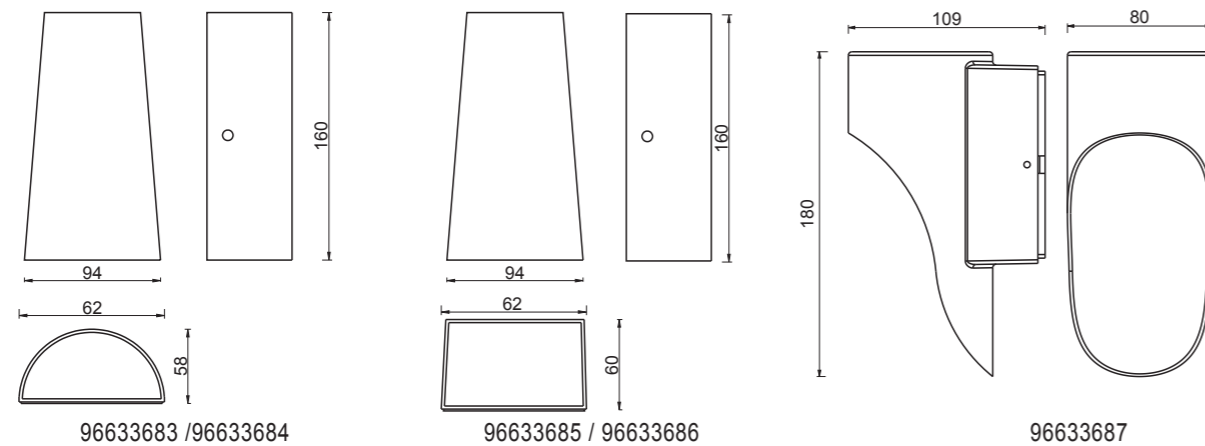


1. Installation and commissioning may only be carried out by authorized specialists and wired in accordance with the latest IEE electrical regulations or the national standards.



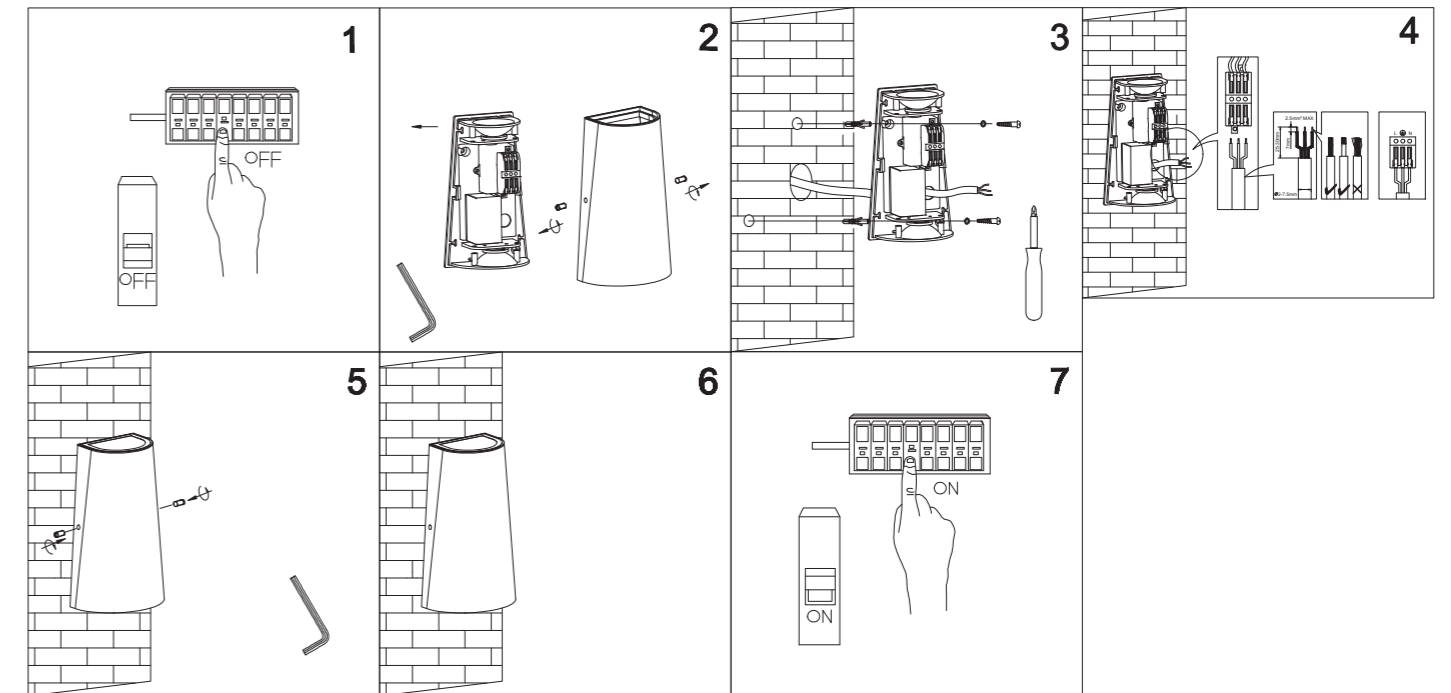
- Mains power must be switched off before carrying out installation.
- The manufacturer shall not be liable for any damage resulting from inappropriate modifications to the luminaire or faulty installation.
- Light source can't be replaced.
- Caution, risk of electric shock.
The control gear provides basic insulation between the LV supply and the control circuit.

Product Description	Wattage	SAP Code	L	W	H	Electrical Class
HOLLY CONE ROUND DOWN IP65 300 830	5W	96633683	94	58	160	I
HOLLY CONE ROUND UP/DOWN IP65 500 830	8W	96633684	94	58	160	I
HOLLY CONE SQUARE DOWN IP65 300 830	5W	96633685	94	60	160	I
HOLLY CONE SQUARE UP/DOWN IP65 500 830	8W	96633686	94	60	160	I
HOLLY WALL CAN DOWN IP65 250 830	8W	96633687	109	80	180	I



1	x1		2		2		2
2	x2		3		3		3
3	x2		4		4		4
4	x2		5		5		5
5	x1		1		1		1

96633683 / 96633684 / 96633685 / 96633686



96633687

