

Panel mounting socket outlet, straight - flange 72x65, fixing centers 52x52

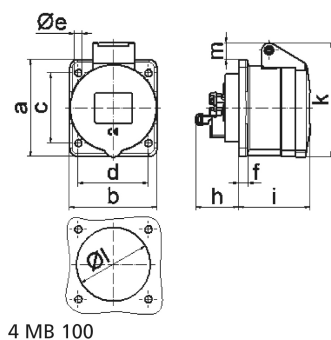


Product description	
BALS-Prd.-Nr	13682
EAN	4024941136822
Product category	Panel mounting socket outlet Quick-Connect, straight
Current	16A
Number of poles	5p
Poles	3p+N+PE
Position of earth contact	7 h
Voltage	277/480 up to 288/500V

Product description	
Frequency	50 and 60Hz
Protection degree	IP44
Colour code	black RAL 9005
Colour of appliance	Hinged lid black RAL 9005, Enclosure grey RAL 7035
Connection design	screwless spring terminals as cage clamp with Kontex-contact
Maximum conductor size	4,0 qmm
Cable entry	other
Height	85mm
Width	65mm
Depth	90mm
Flange size vertical	72mm
Flange size horizontal	65mm
Drill hole distance vertical	52mm
Drill hole distance horizontal	52mm
Material of enclosure	Polyamide
Contact	The contact carrier is made of polyamide, The contacts are brass

Logistics data	
Weight/pcs	0.131 kg / Piece
Packaging	Bag
Content amount	1 ST

Logistics data	
EAN	4024941136822
Length	90 mm
Width	65 mm
Height	85 mm
Weight	0.132 kg
Volume	497.25 ccm
Packaging	Carton
Content amount	10 ST
EAN	4024941821551
Length	245 mm
Width	177 mm
Height	185 mm
Weight	1.443 kg
Volume	7,140 ccm



Ampere Polzahl	16 3	16 4	16 5				
a	62,0	72,0	72,0				
b	62,0	65,0	65,0				
c	47,0	52,0	52,0				
d	47,0	52,0	52,0				
e ø	5,5	5,5	5,5				
f	7,0	7,0	7,0				
h	35,5	35,5	35,5				
i	51,0	53,0	53,0				
k	70,0	80,0	85,0				
ø	45,0	45,0	55,0				
m	10,0	9,0	13,0				
Leiter mm ² min	1,5	1,5	1,5				
Leiter mm ² max	4	4	4				