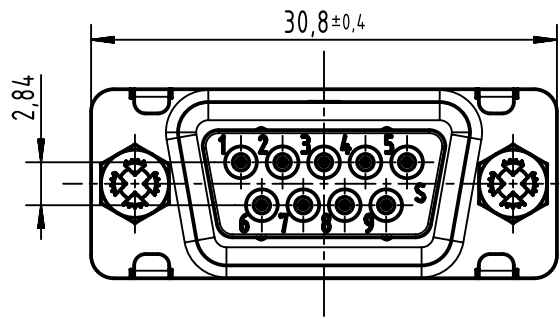
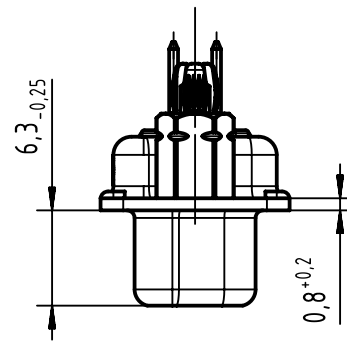
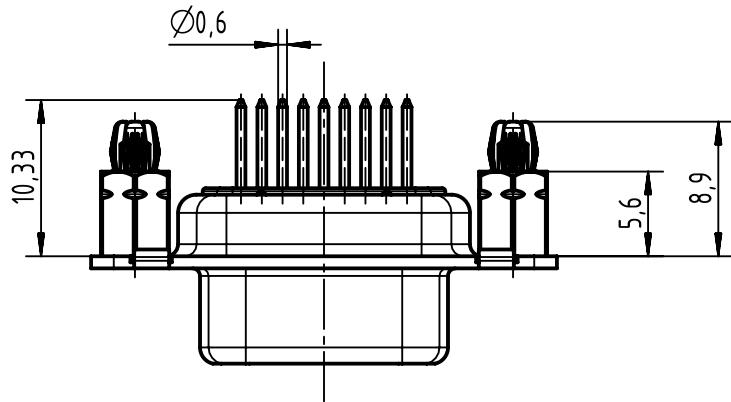
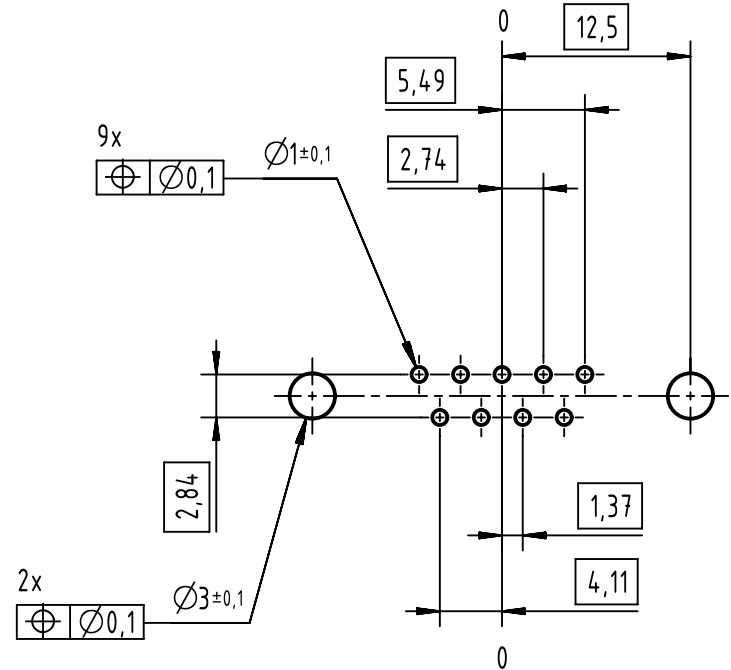


PCB layout view component side



	All Dimensions in mm Original Size DIN A4		Scale 2:1	Free size tol.		Ref.	
	All rights reserved		Created by ZHUANGJ	Inspected by LUOK	Standardisation SCHREIER	Date 2020-08-12	State Final Release
Department EC PD - FR		Title D-Sub 09-pole MinD STR female BL nut M3 PL2				Doc-Key / ECM-Nr. 100905970/UGD/000/A 500000177376	
HARTING Electronics GmbH D-32339 Espelkamp		Type TB	Number 09671516701			Rev. A	Page 1/1