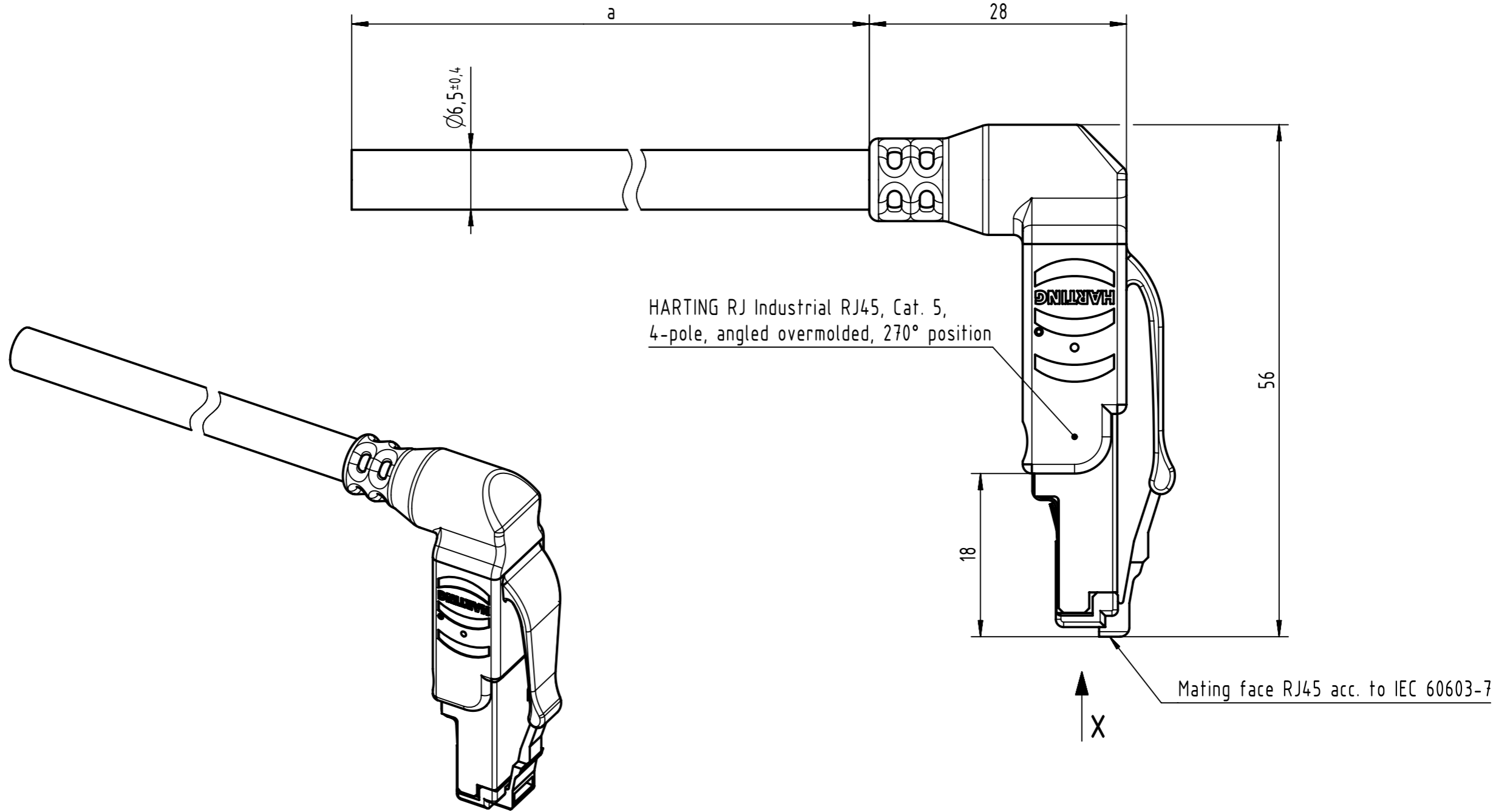


Connector Location A

Connector Location B

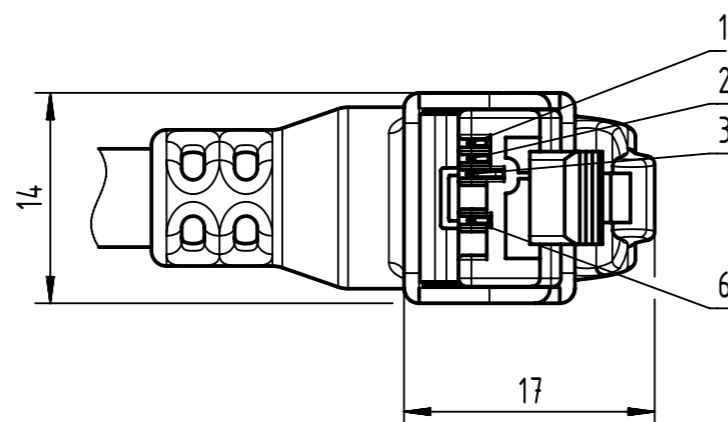
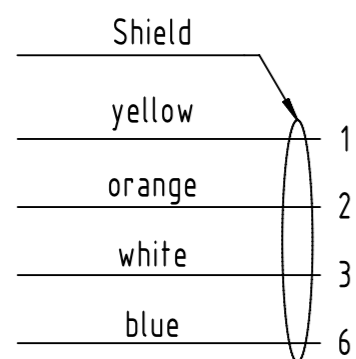


HARTING RJ Industrial RJ45, Cat. 5,
4-pole, angled overmolded, 270° position

Mating face RJ45 acc. to IEC 60603-7

- Protection level: IP20
- Temperature range: -30°C ... +70°C

Loading Plan



		All Dimensions in mm		Tech. Character.		Free size tol.		According to production drawing	
All rights reserved Department HCS - RO		Created by COSTEA Costea		Inspected by 402676 Gross		Standardisation MUNTEANV Muntean		Date 2023-06-08	
HARTING Customised Solutions D-32339 Espelkamp		Title RJ Industrial Cable Assembly				State Final Release		Doc-Key / ECM-Nr. 100155463/UGD/015/E 500000245661	
		Type TB		Number 09470300XXX				Rev. E	
								Page 1/2	

