

## Panel mounting socket outlet, straight - flange 75x75, fixing centers 60x60

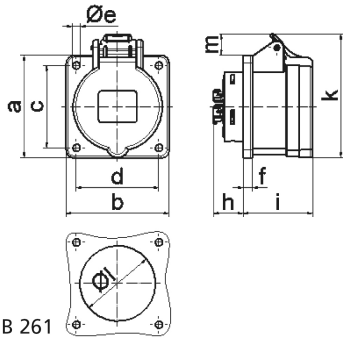


Product description	
BALS-Prd.-Nr	130157
EAN	4024941190268
Product category	Panel mounting socket outlet Quick-Connect twin terminal, straight
Current	16A
Number of poles	5p
Poles	3p+N+PE
Position of earth contact	6 h
Voltage	200/346 up to 240/415V

Product description	
Frequency	50 and 60Hz
Protection degree	IP44
Colour code	red RAL 3000
Colour of appliance	Hinged lid red RAL 3000, Enclosure grey RAL 7035
Connection design	screwless spring terminals as cage clamp with Kontex-contact
Maximum conductor size	4,0 qmm
Cable entry	other
Height	86mm
Width	75mm
Depth	75mm
Flange size vertical	75mm
Flange size horizontal	75mm
Drill hole distance vertical	60mm
Drill hole distance horizontal	60mm
Material of enclosure	Polyamide
Contact	The contact carrier is made of polyamide, The contacts are brass

Additional technical properties	
	Suitable for through wiring

Logistics data	
Weight/pcs	0.145 kg / Piece
Packaging	Bag
Content amount	1 ST
EAN	4024941190268
Length	75 mm
Width	75 mm
Height	86 mm
Weight	0.146 kg
Volume	483.75 ccm
Packaging	Carton
Content amount	10 ST
EAN	4024941970488
Length	245 mm
Width	177 mm
Height	185 mm
Weight	1.583 kg
Volume	7,140 ccm



4 MB 261

Ampere	16						
Polzahl	5						
a	75,0						
b	75,0						
c	60,0						
d	60,0						
e Ø	5,5						
f	7,0						
h	23						
i	53,0						
k	85,0						
l Ø	55,0						
m	11,5						
Leiter mm <sup>2</sup> min	1,5						
Leiter mm <sup>2</sup> max	4						