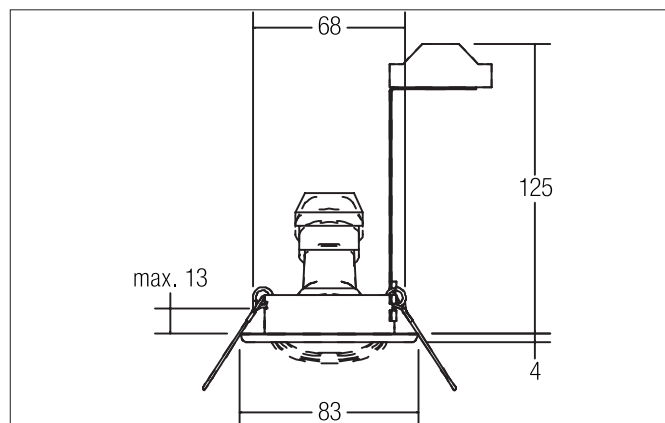


**High voltage recessed spot, GZ10**

Article no. H2191.07

Licht.  
Für Generationen.**Tender**

High voltage recessed spot, GZ10, white, Round. In a compact design, for installation in tool-less rapid assembly systems. Including bracket with GZ10 socket for standard-compliant strain relief. Lamp holder: GZ10, Mounting method: Recessed mounting, Place of installation: Ceiling-mounted, Material: Stainless steel, Degree of protection: according to DIN EN 60529 IP20, Protection class: (EN 61140) II, Voltage: 230V AC 50Hz, Power: 50W, Amount of light sources / fittings: 1.0 Qty, Adjustability: Pivoted, Control: Other.

Article data	
Article no.	H2191.07
GTIN	4250047712725
Kurzbeschreibung	High voltage recessed spot, GZ10
Material	Stainless steel
Colour	White
Type of surface	Glossy
Shape	Round
Outer diameter	80 mm
Built-in diameter	68 mm
Installation depth	125 mm
weight	0.140 kg

**High voltage recessed spot, GZ10**

Article no. H2191.07

Licht.  
Für Generationen.

Operating technology of the luminaires	
System output	50 W
Voltage type	AC
AC nominal voltage max	230 V
Frequenz max.	50 Hz
Lamp	for LED-retrofill lamp
Lamp holder	GZ10
Protection class	II
Degree of protection	IP20
Control	Other
Leuchtmittelwechsel möglich	Yes

Mounting technology	
Mounting method	Recessed mounting
Place of installation	Ceiling-mounted
Adjustability	Pivoted
Swivel angle	25°
Further references	No cover with thermal insulation material
Material cover	Without cover

Packing data	
Gross weight	0.204 kg
Length of packaging	100 mm
Packaging width	100 mm
Packaging height	100 mm