

Datenblatt / Data Sheet

LED Konverter MiniDimmer

LED converter mini dimmer

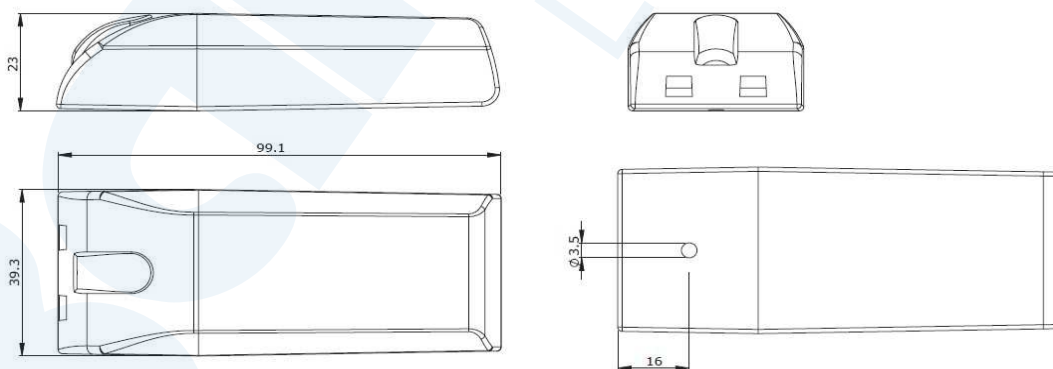


Technische Daten / technical data

Bezeichnung / Description	Eigenschaften / Characteristics	
Artikelnummer / Item no.	LEDTREIB67	
Eingangsspannung / Input voltage	230 -240V	
Frequenz (Hz) / Frequency (Hz)	50 – 60Hz	
Power factor λ	0.9C	
Max. Ausgangsstrom / Max. output current	350mA	700mA
	1-9 LEDs 1.2W in Serie (max. Vorwärtsspannung 32V) 1-9 LEDs of 1.2W in series (max. forward voltage 32V)	1-4 LEDs 2.5/3W in Serie (max. Vorwärtsspannung 18V) 1-4 LEDs of 2.5/3W in series (max. forward voltage 18V)
Ausgangsleistung / Power output	1-12W	
LEDs min. / LEDs min.	1	1
LEDs max. / LEDs max.	9	4
Umgebungstemperatur t_a / Ambient temperature t_a	-20°C ~ +45°C	
Maximale Temperatur t_c / Maximum temperature t_c	<+85°C	
Abmessungen (LxBxH) / Dimension (LxWxH)	99x39x23.5mm	
Gewicht / Weight	70g	
Übereinstimmung mit / Accordance to	EN61347-1, EN61347-2-13, EN62384, EN55015, EN61000-3-2, EN61547 'SELV-equivalent	
Bemerkung / Comment	Schutz gegen Überhitzung, Überlast, Kurzschluß Protection against overtemperature, overloads, short circuit	



Abmaße / Dimensions



Max. Kabellänge von Konverter zum letzten LED Modul 10m / Max. cable length from converter to last LED module 10m

Dimmerliste / Dimmerlist 04/2010:

Manufacturer	Dimmer	Note	Minimum LED-Load	Minimum Dim-range	Stability
BERKER	286710	(same as Insta 51190)	2.5 Watt	20%	OK
BERKER	-	(same as Insta 53128 R)	-	25%	NOT STABLE
BUSCH J	6513U-102		7.5 Watt	20%	OK
ELARI	ATD 315		2.5 Watt	20%	OK
ELARI	ATD 600R		7.5 Watt	20%	OK
EPV	PAB 315		2.5 Watt	20%	OK
GIRA	-	(same as Insta 51190)	2.5 Watt	20%	OK
GIRA	-	(same as Insta 53128 R)	-	25%	NOT STABLE
INSTA	51190		2.5 Watt	20%	OK
INSTA	53128 R		-	25%	NOT STABLE
INSTA	FUNK 576650 22		10 Watt	30%	OK
INSTA	51040		2.5 Watt	20%	OK
JUNG	1254 UDE	(same as Insta 53128 R)	-	25%	NOT STABLE
JUNG	225TDE		2.5 Watt	20%	OK
LUTRON	LPRPM-4A		2.5 Watt	15%	OK
LUTRON	GRAFIK INTEGRAL GXI		2.5 Watt	15%	OK
OPUS	852395		2.5 Watt	30%	OK
PEHA	433HAB		2.5 Watt	20%	OK
SCHNEIDER	ATD 315		2.5 Watt	20%	OK
SCHNEIDER	600R		7.5 Watt	20%	OK
SIEMENS	5 TC8 284		7.5 Watt	15%	OK