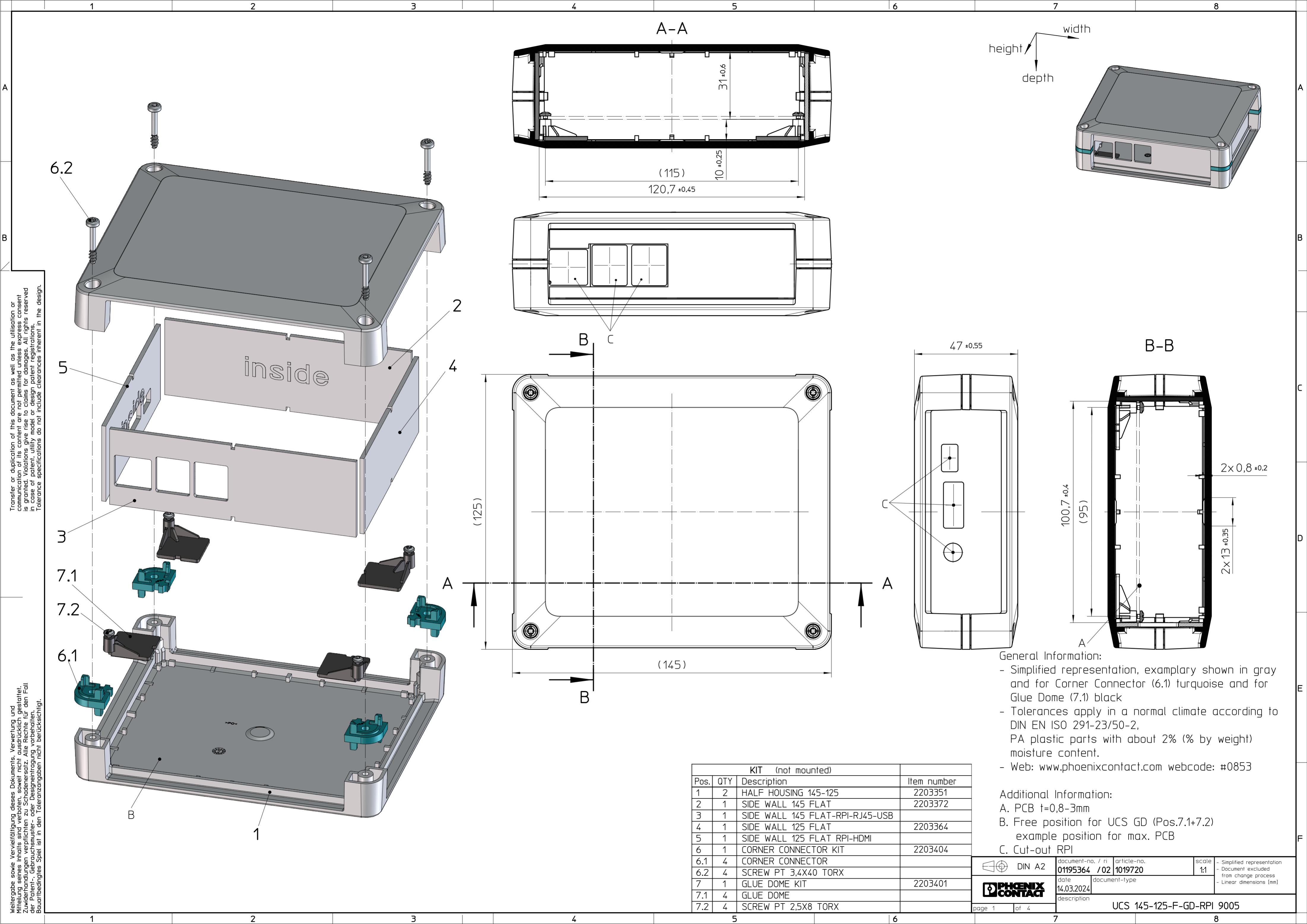


Weitergabe sowie Vervielfältigung dieses Dokuments, Verwertung und Mitteilung seines Inhalts sind verboten, soweit nicht ausdrücklich gestattet. Zuwiderhandlungen verpflichten zu Schadensersatz. Alle Rechte für den Fall der Patent-, Gebrauchsmuster- oder Designeintragung vorbehalten. Bauabfertigung ist in den Toleranzangaben nicht berücksichtigt.



Transfer or duplication of this document as well as the utilisation or communication of its content are not permitted unless express consent is granted. Violations give rise to claims for damages. All rights reserved in case of patent, utility model or design patent registrations. Tolerance specifications do not include clearances inherent in the design.

General Information:

- Simplified representation, exemplary shown in gray and for Corner Connector (6.1) turquoise and for Glue Dome (7.1) black
- Tolerances apply in a normal climate according to DIN EN ISO 291-23/50-2, PA plastic parts with about 2% (% by weight) moisture content.
- Web: www.phoenixcontact.com webcode: #0853

Additional Information:

A. PCB $t=0,8-3\text{mm}$

B. Free position for UCS GD (Pos.7.1+7.2) example position for max. PCB

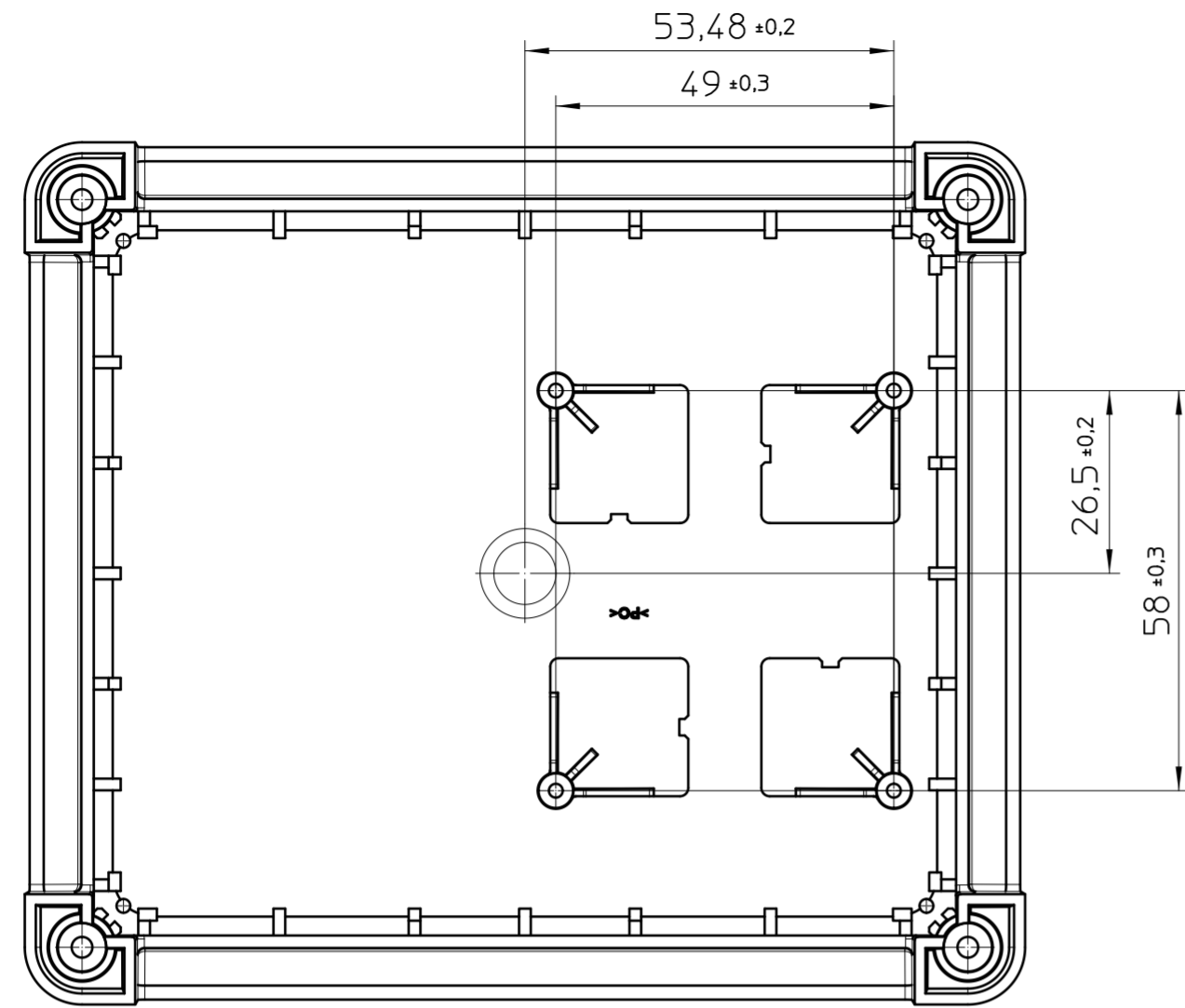
C. Cut-out RPI

| KIT (not mounted) | | | |
|-------------------|-----|---------------------------------|-------------|
| Pos. | QTY | Description | Item number |
| 1 | 2 | HALF HOUSING 145-125 | 2203351 |
| 2 | 1 | SIDE WALL 145 FLAT | 2203372 |
| 3 | 1 | SIDE WALL 145 FLAT-RPI-RJ45-USB | |
| 4 | 1 | SIDE WALL 125 FLAT | 2203364 |
| 5 | 1 | SIDE WALL 125 FLAT RPI-HDMI | |
| 6 | 1 | CORNER CONNECTOR KIT | 2203404 |
| 6.1 | 4 | CORNER CONNECTOR | |
| 6.2 | 4 | SCREW PT 3,4X40 TORX | |
| 7 | 1 | GLUE DOME KIT | 2203401 |
| 7.1 | 4 | GLUE DOME | |
| 7.2 | 4 | SCREW PT 2,5X8 TORX | |

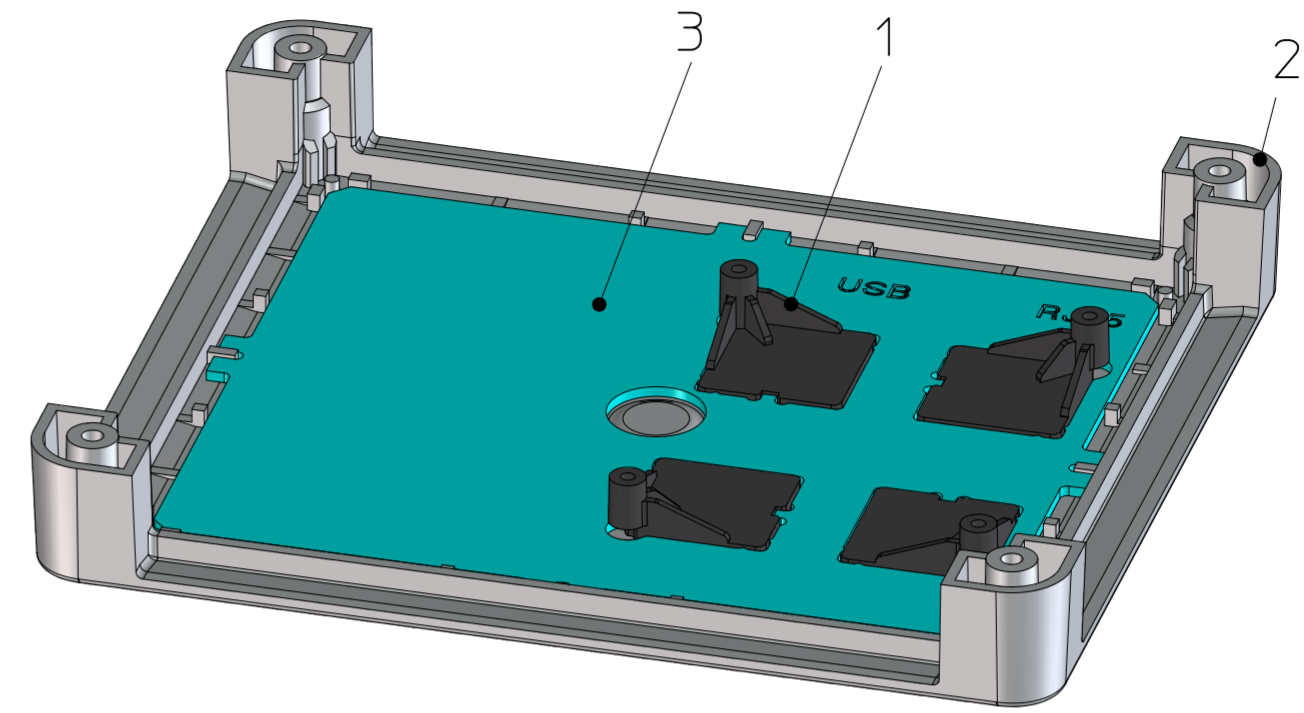
document-no. / ri: **01195364 / 02** | article-no.: **1019720** | scale: **1:1** | - Simplified representation
 date: **14.03.2024** | document-type: | - Document excluded from change process
 description: **UCS 145-125-F-GD-RPI 9005** | - Linear dimensions (mm)

page 1 of 4

Positioning UCS GD in UCS HH 145-125 (pre-stage)



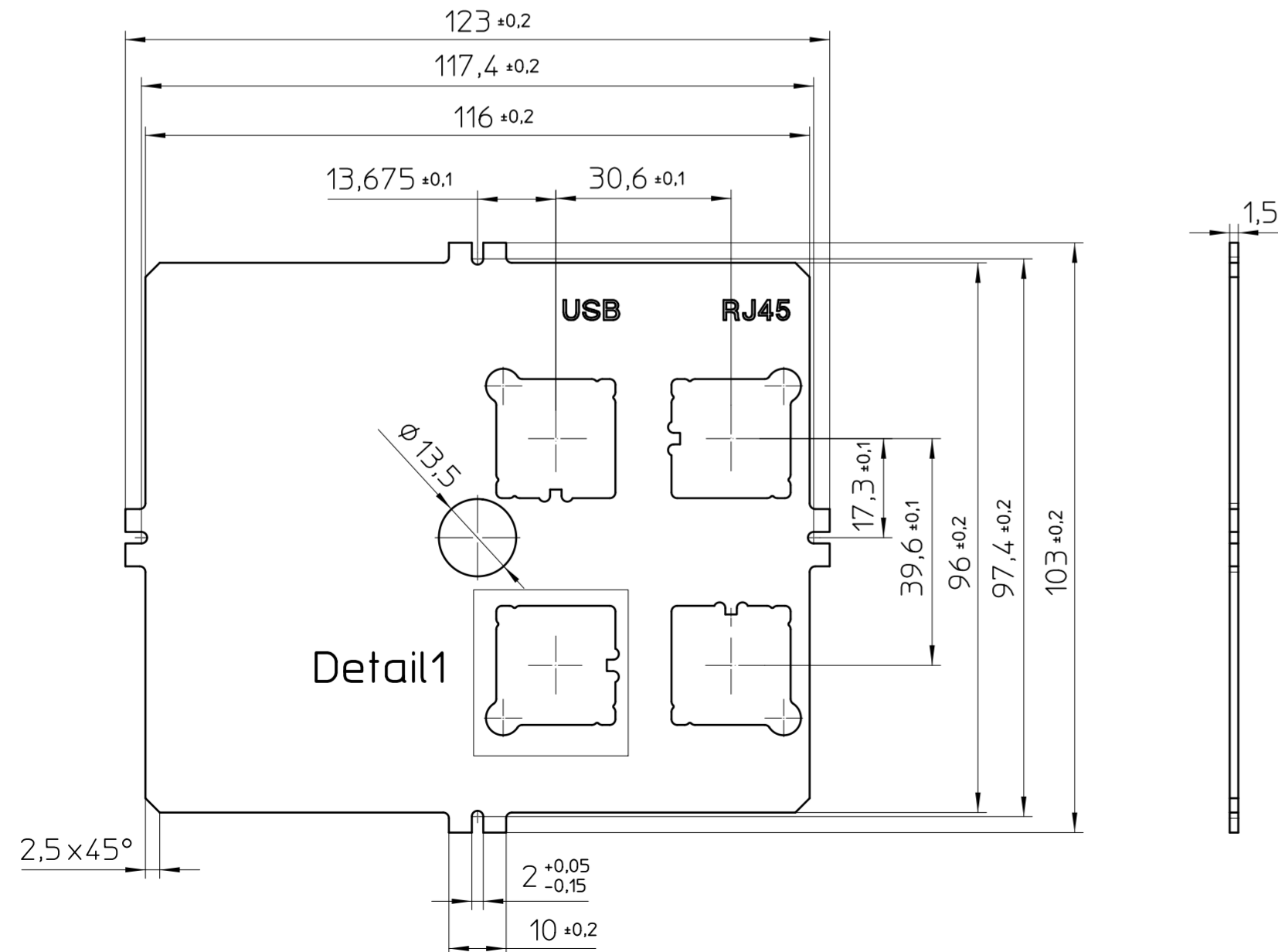
Mounting information for UCS GD



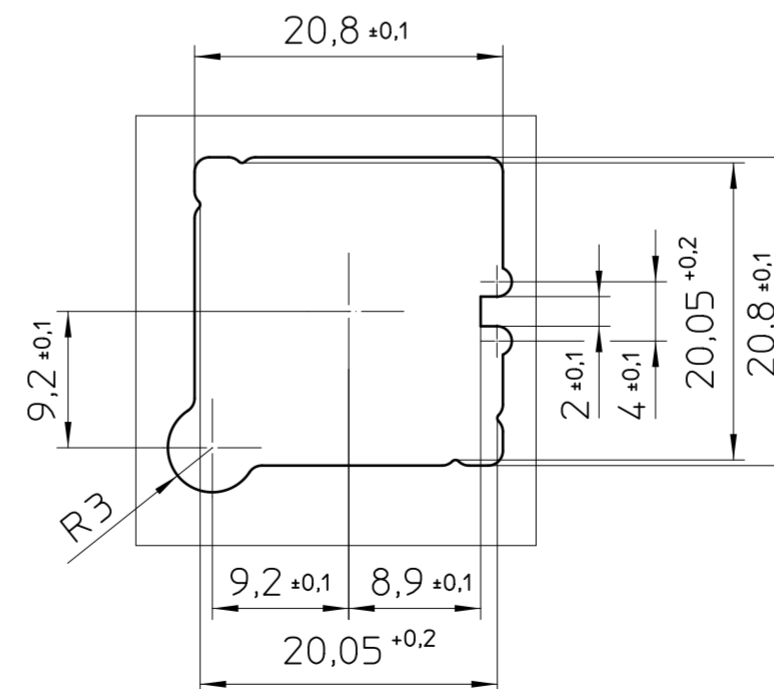
Transfer or duplication of this document as well as the utilisation or communication of its content are not permitted unless express consent is granted. Violations give rise to claims for damages. All rights reserved in case of patent, utility model, or design patent registrations. Tolerance specifications do not include clearances inherent in the design.

Weitergabe sowie Vervielfältigung dieses Dokuments, Verwertung und Mitteilung seines Inhalts sind verboten, soweit nicht ausdrücklich gestattet. Zuwiderhandlungen verpflichten zu Schadensersatz. Alle Rechte für den Fall der Patent-, Gebrauchsmuster- oder Designeintragung vorbehalten. Bauartbedingtes Spiel ist in den Toleranzangaben nicht berücksichtigt.

Recommended template for UCS GD RPI 2B/3B/4B



Detail1 2:1



General Information:

- Tolerances and dimensions apply in a normal climate according to DIN EN ISO 291-23/50-2.
- Tolerances for mechanical processing are ISO 2768-m
- Symmetry: 0,2
- Machining radii min. R1

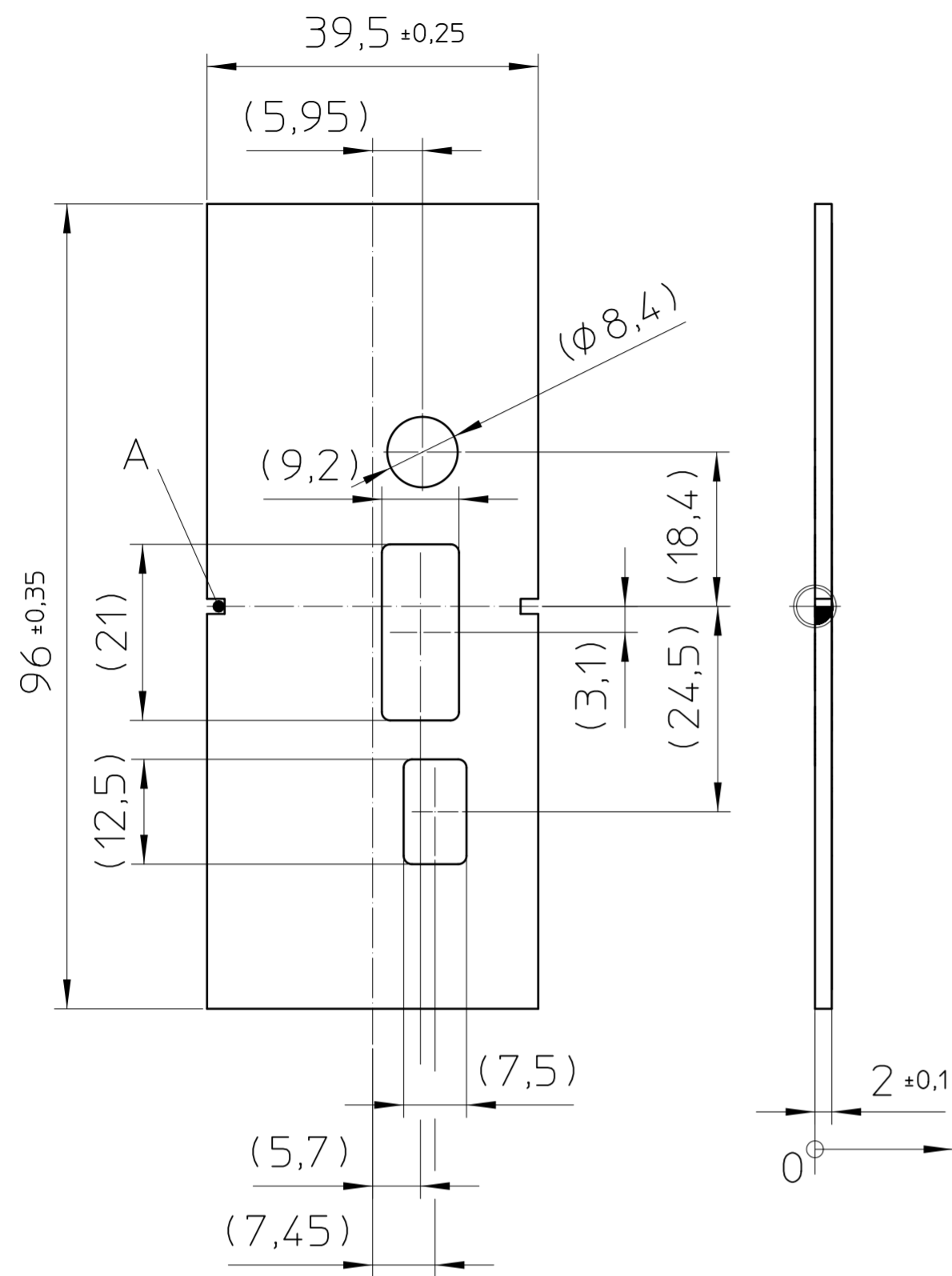
3. recommended template for UCS HH 145-125

| Pos. | QTY | Description |
|------|-----|----------------|
| 1 | 4 | UCS GD |
| 2 | 1 | UCS HH 145-125 |

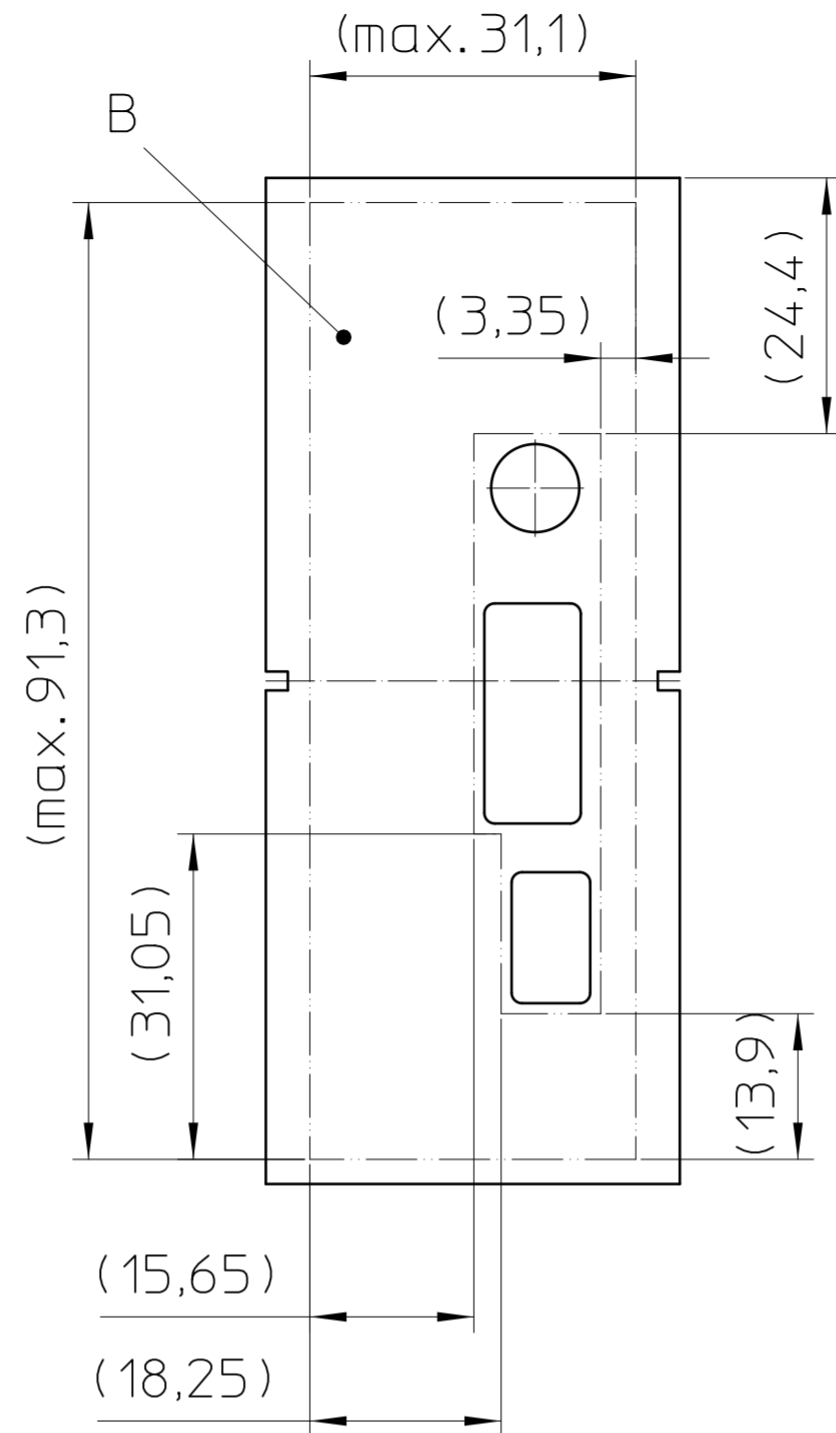
| | | | | | | |
|-------------------|--|-------------|-------------------|---------------|---------------------------|--|
| KIT (not mounted) | | DIN A2 | document-no. / ri | article-no. | scale | - Simplified representation - Document excluded from change process - Linear dimensions (mm) |
| | | | 01195364 / 02 | 1019720 | 1:1 | |
| | | page 2 of 4 | date | document-type | description | |
| | | | 14.03.2024 | | UCS 145-125-F-GD-RPI 9005 | |

Transfer or duplication of this document as well as the utilisation or communication of its content are not permitted unless express consent is granted. Violations give rise to claims for damages. All rights reserved in case of patent, utility model or design patent registrations. Tolerance specifications do not include clearances inherent in the design.

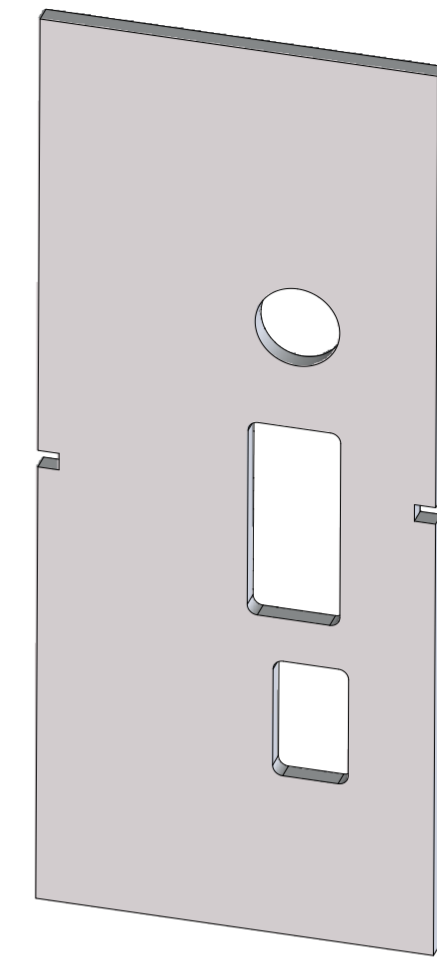
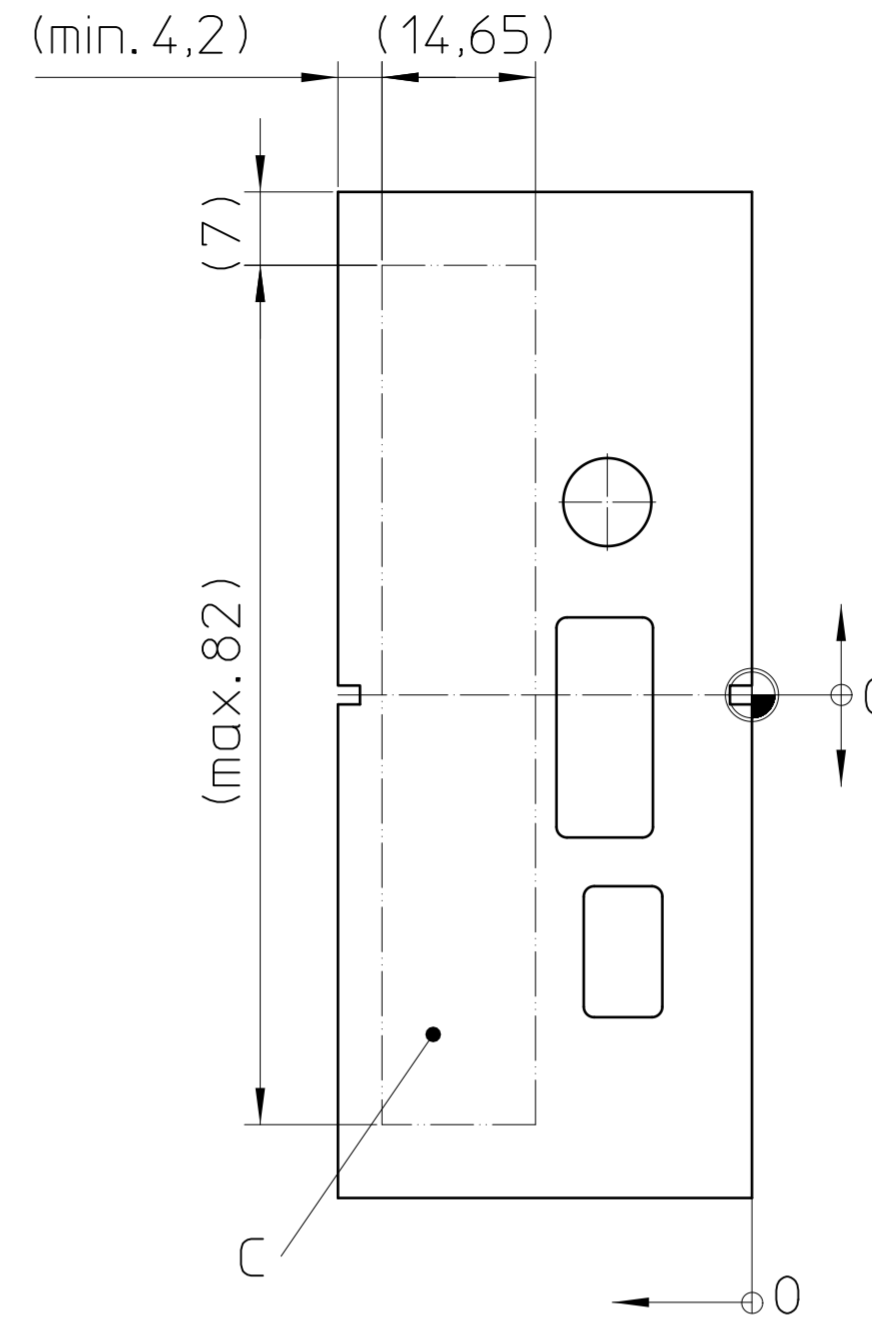
Weitergabe sowie Vervielfältigung dieses Dokuments, Verwertung und Mitteilung seines Inhalts sind verboten, soweit nicht ausdrücklich gestattet. Zuwiderhandlungen verpflichten zu Schadensersatz. Alle Rechte für den Fall der Patent-, Gebrauchsmuster- oder Designeintragung vorbehalten. Bauartbedingtes Spiel ist in den Toleranzangaben nicht berücksichtigt.



Marking area



Machining area



General Information:

- Simplified representation, exemplary shown in gray
- Tolerances apply in a normal climate according to DIN EN ISO 291-23/50-2.
- Web: www.phoenixcontact.com webcode: #0853

Additional Information:

- A. centering lug for UCS HH...
- B. max. marking area with standard printing process
 - other printing processes on request
- C. max. machining area
 - min. continuous outerbar width 7mm and 4,2mm
 - processing radii R1
 - further on request

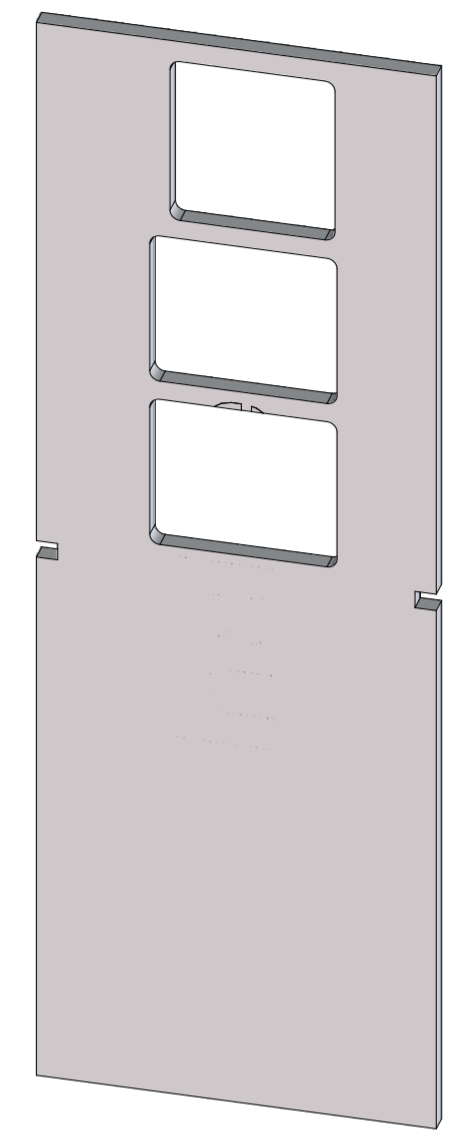
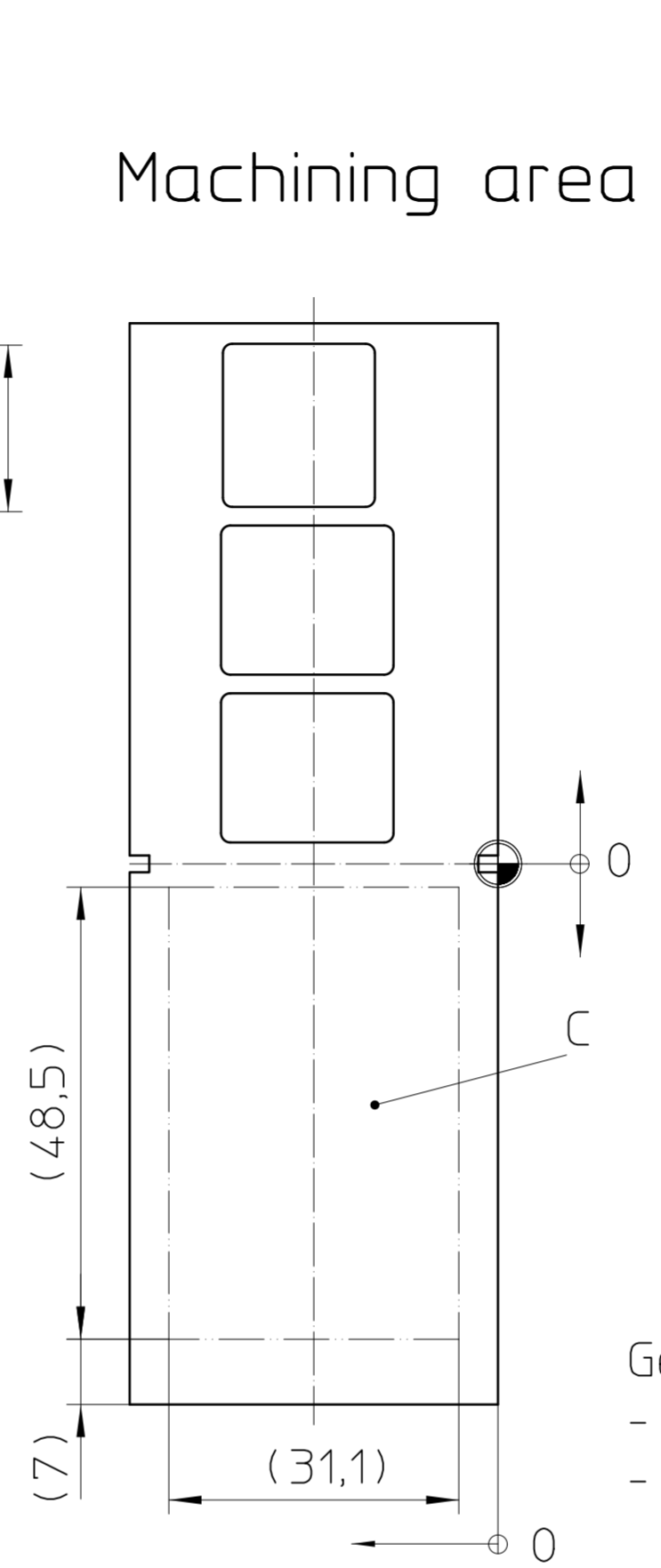
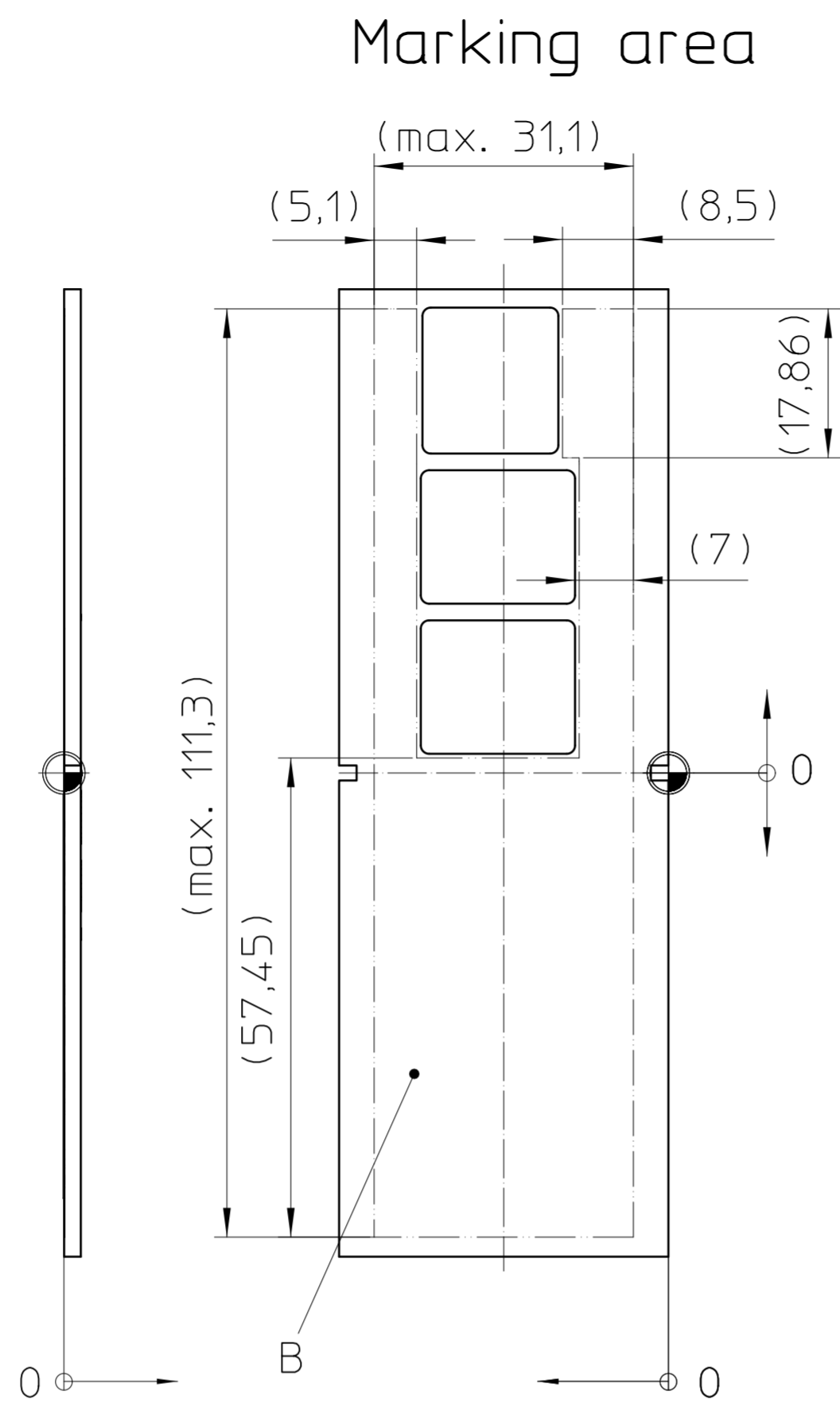
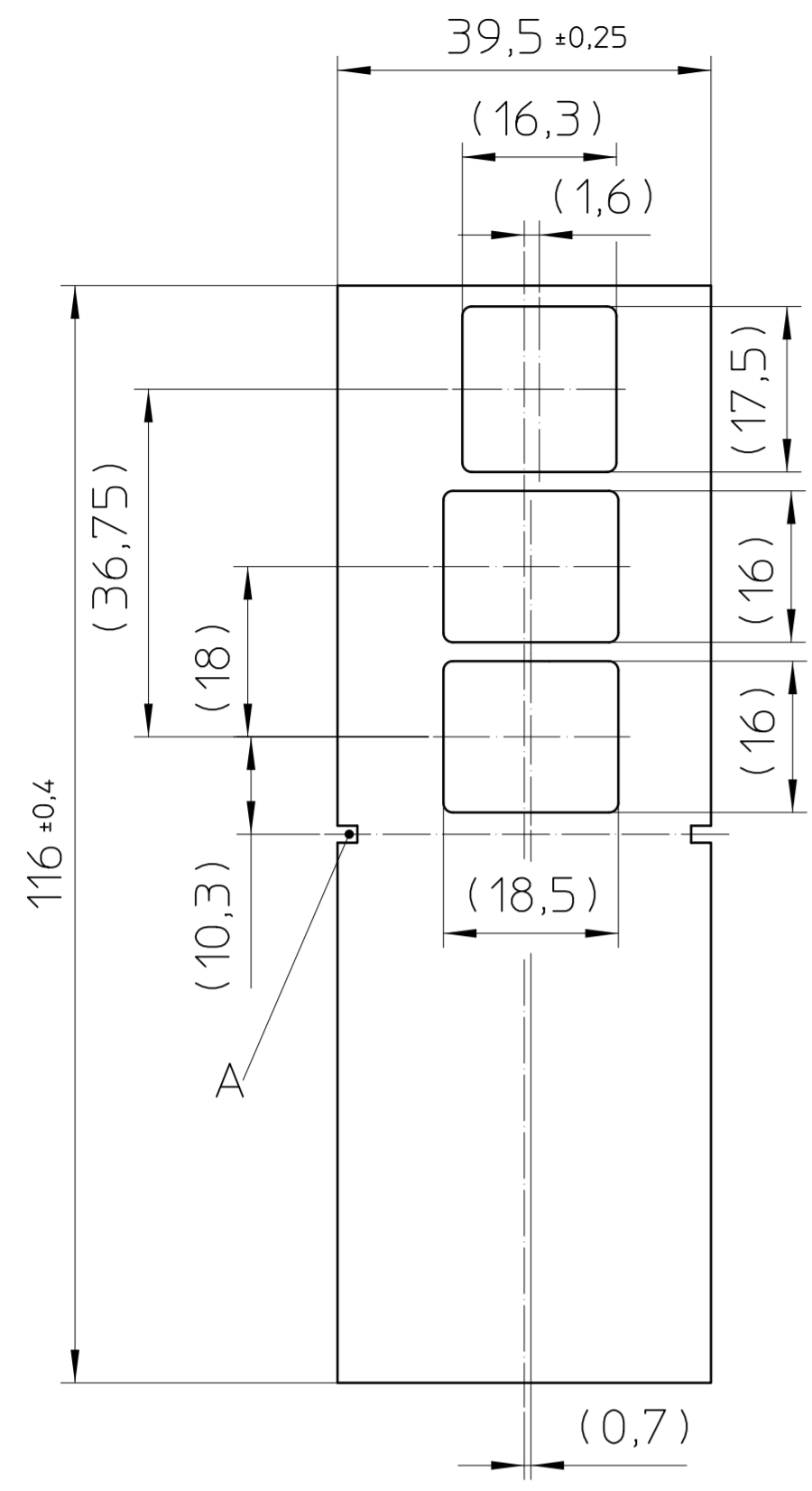
- ⊕ = Workpiece zero point for mechanical processing
- Tolerances for mechanical processing:
 - milled to workpiece zero point ±0,2
 - milled to other reference points ±0,1

| Pos. | QTY | Description | Material |
|------|-----|--------------------|----------|
| 1 | 1 | SIDE WALL 125 FLAT | PC |

| | | | | |
|-------------|-------------------|---------------|-------|--|
| | document-no. / ri | article-no. | scale | - Simplified representation - Document excluded from change process - Linear dimensions [mm] |
| | 01195364 / 02 | 1019720 | 1:1 | |
| | date | document-type | | |
| | 14.03.2024 | | | |
| page 3 of 4 | description | | | UCS 145-125-F-GD-RPI 9005 |

Transfer or duplication of this document as well as the utilisation or communication of its content are not permitted unless express consent is granted. Violations give rise to claims for damages. All rights reserved in case of patent, utility model or design patent registrations. Tolerance specifications do not include clearances inherent in the design.

Weitergabe sowie Vervielfältigung dieses Dokuments, Verwertung und Mitteilung seines Inhalts sind verboten, soweit nicht ausdrücklich gestattet. Zuwiderhandlungen verpflichten zu Schadenersatz. Alle Rechte für den Fall der Patent-, Gebrauchsmuster- oder Designeintragung vorbehalten. Bauartbedingtes Spiel ist in den Toleranzangaben nicht berücksichtigt.



General Information:

- Simplified representation, exemplary shown in gray
- Tolerances apply in a normal climate according to DIN EN ISO 291-23/50-2.
- Web: www.phoenixcontact.com webcode: #0853

Additional Information:

- A. centering lug for UCS HH...
- B. max. marking area with standard printing process
 - other printing processes on request
- C. max. machining area
 - processing radii R1
 - further on request

⊕ = Workpiece zero point for mechanical processing
 - Tolerances for mechanical processing:
 milled to workpiece zero point ±0,2
 milled to other reference points ±0,1

| Pos. | QTY | description | material |
|------|-----|--------------------|----------|
| 1 | 1 | SIDE WALL 145 FLAT | PC |

| | | | | |
|-------------|-------------------|---------------------------|-------|--|
| | document-no. / ri | article-no. | scale | - Simplified representation - Document excluded from change process - Linear dimensions [mm] |
| | 01195364 / 02 | 1019720 | 1:1 | |
| | date | document-type | | |
| | 14.03.2024 | | | |
| description | | UCS 145-125-F-GD-RPI 9005 | | |