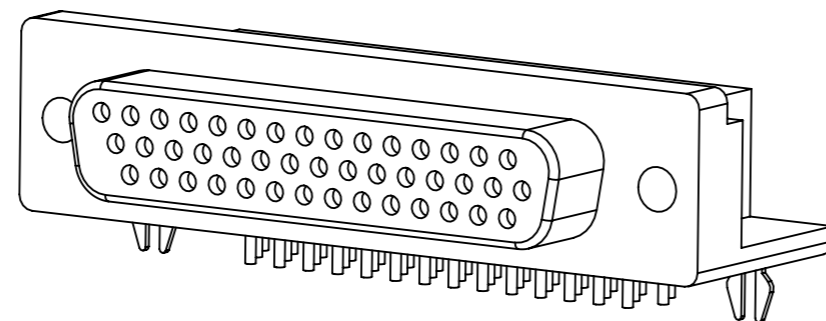
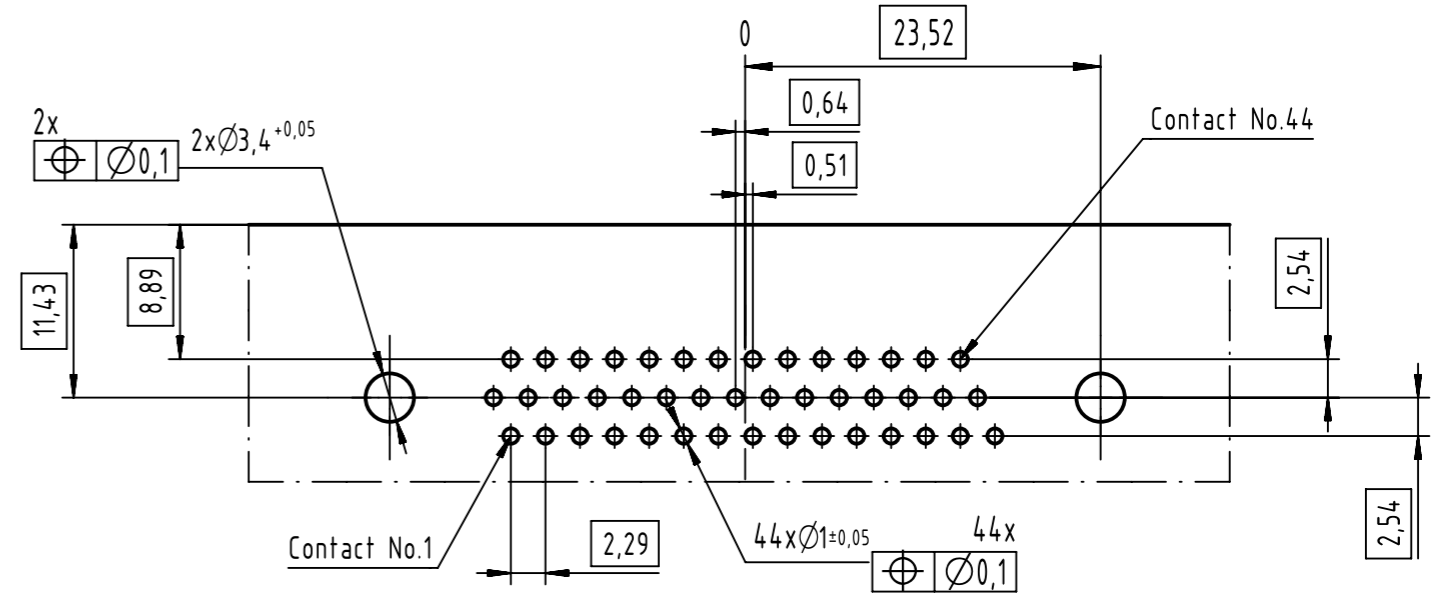
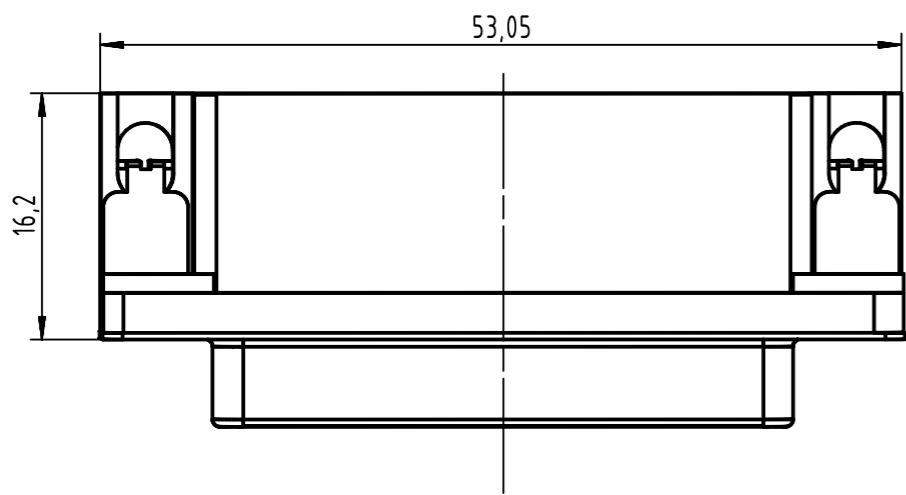


PC-Board layout
view component side
thickness 1,6 mm



0956 352 5612	S4
0956 352 7612	PL3
Part number	Performance level

	All rights reserved	Created by ZHUANGJ	Inspected by LUOK	Standardisation ROEBEN	Date 2021-08-31	State Final Release
	Department EL PD	Title D-Sub HD 44P female angled board locks		Doc-Key / ECM-Nr. 100510345/UGD/001/C 500000201818		
HARTING D-32339 Espelkamp	Type TB	Number 0956352X612		Rev. C	Page 1/1	