

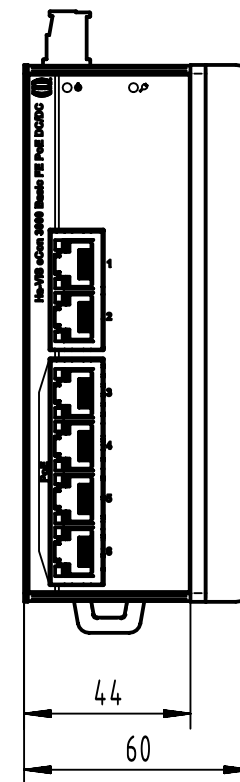
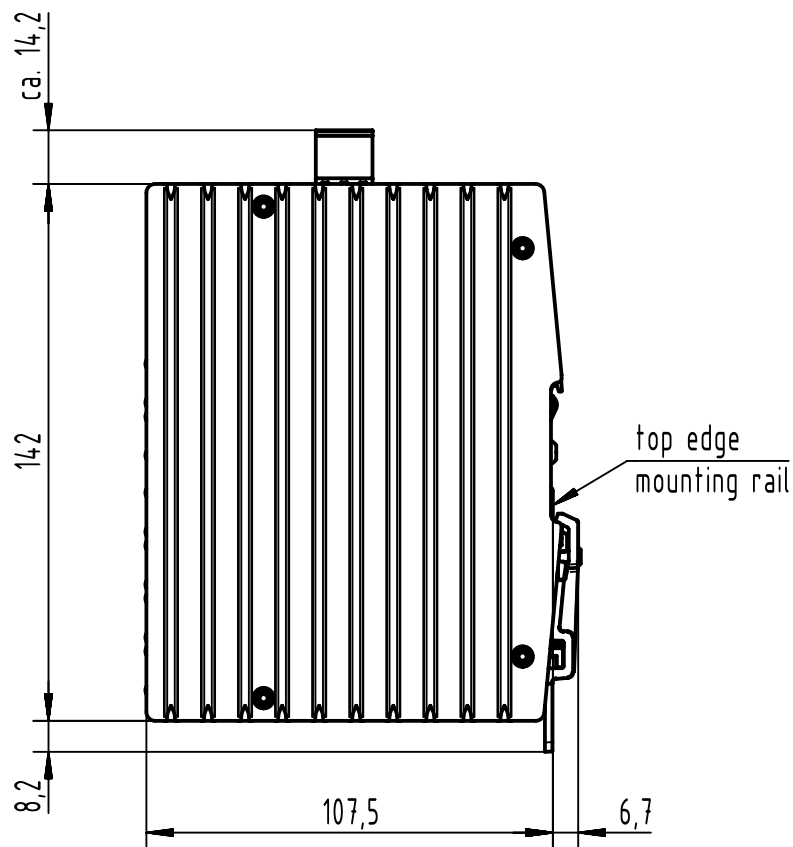
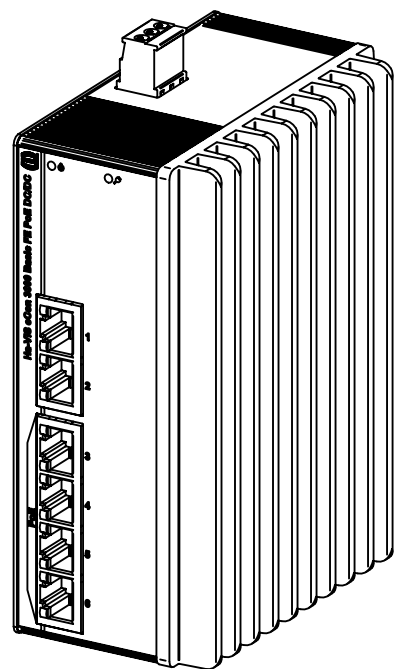
1 2 3 4 5 6

A


B

C

D



for mounting rail acc. to DIN EN 60715

	All rights reserved Department EL PD	All Dimensions in mm Original Size DIN A4		Scale 1:2	Free size tol.		Ref. Sub.			
		Created by HOLLERT	Inspected by KLEINEM	Standardisation SAP_WFRT	Date 2022-03-02	State Final Release		Doc-Key / ECM-Nr. 100627441/UGD/002/C 500000211661		
HARTING D-32339 Espelkamp		Title Ha-VIS eCon 3060B-A-PP			Type TB		Number 24 03 106 0030		Rev. C	Page 1/1