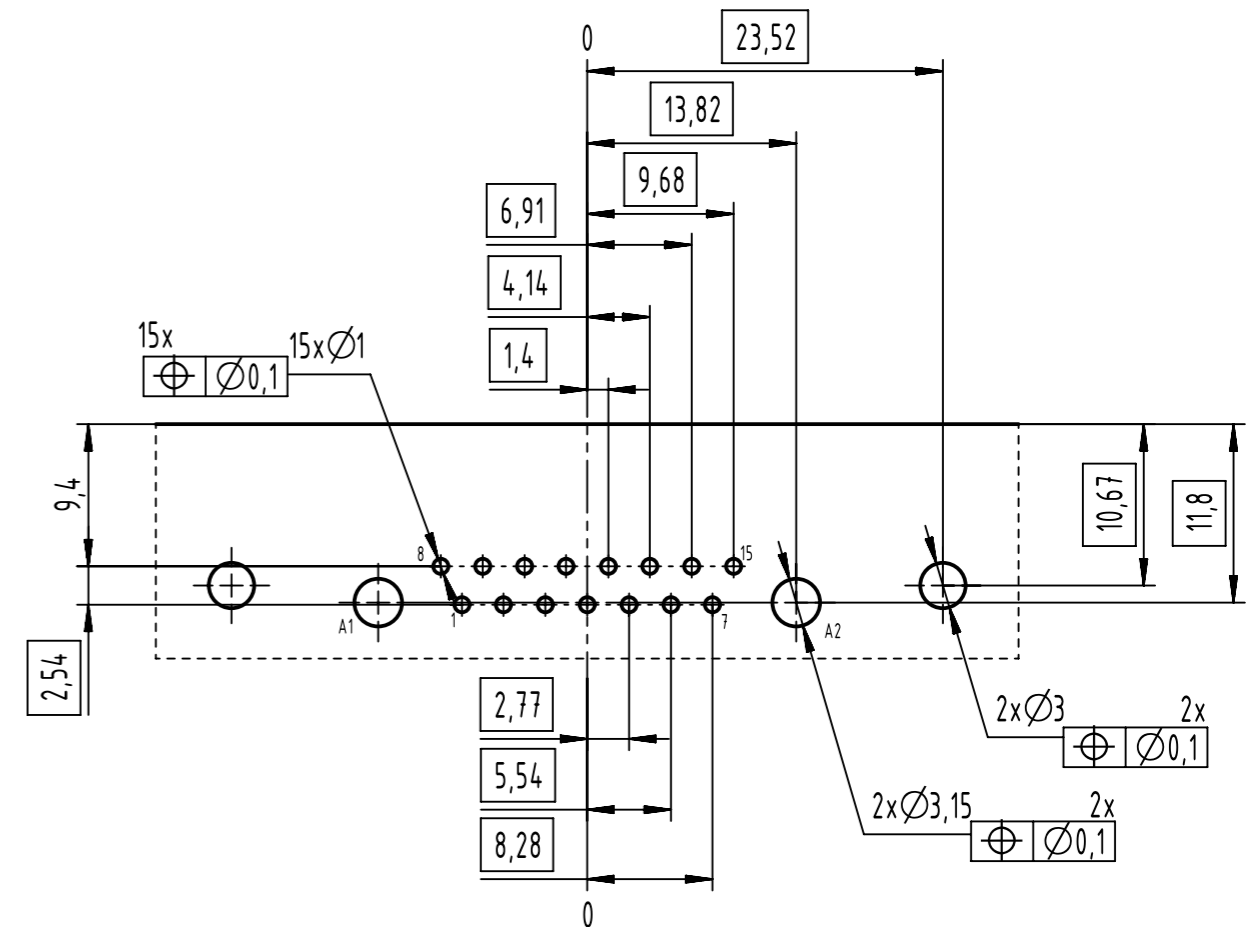
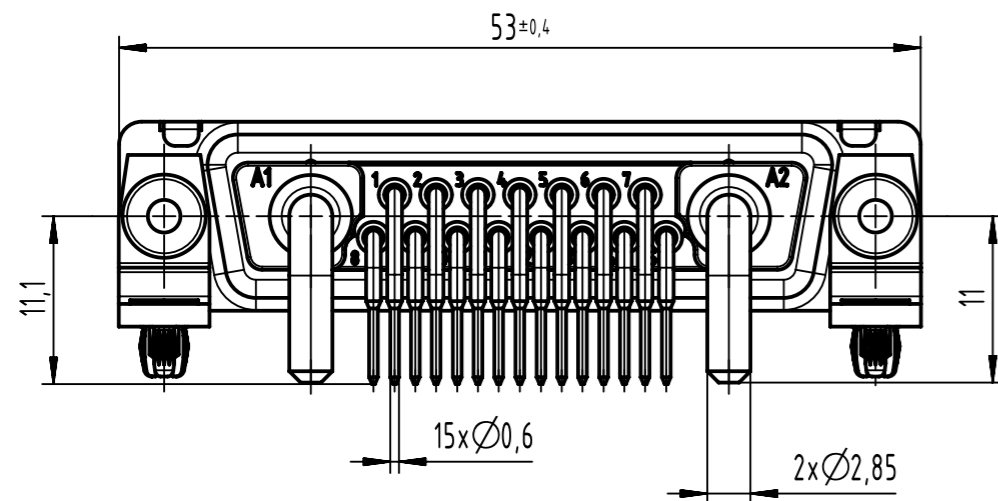


PCB hole pattern, mounting side
recommended thickness 1,6



	All rights reserved	Created by ZHUANGJ	Inspected by LUOK	Standardisation ROEBEN	Date 2022-01-27	State Final Release
	Department EL PD	Title D-Sub M 17W2 ANG FE 20A UNC NM30 BL		Doc-Key / ECM-Nr. 100989463/UGD/000/A 50000208965		
09693009207 NM30 Part number Performance level		HARTING D-32339 Espelkamp		Type TB	Number 09693009207	Rev. A Page 1/1