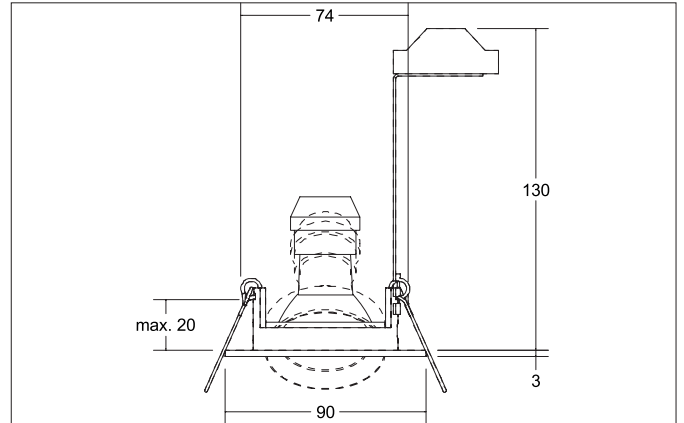


KALINDA-R Recessed spot, GU10
 Article no. 36453680

Light.
 For Generations.



Tender
 Recessed spot, GU10, Round. Toolless ceiling installation by installation springs. Ceiling cut-out Ø 74 mm, Installation depth 130 mm, Outer diameter 90 mm, Weight 0,127 kg, with rotationssymmetrical, deep, wide distributed light intensity. optimal light distribution due to a Without cover cover. with Lamp holder GU10 max: 50 W, Delivery without bulb. Housing material: Aluminium, Colour: Silver, Permissible ambient temperature (ta): -20 °C - +25 °C, Protection class (EN 61140): II, Degree of protection (DIN EN 60529): IP20. For direct connection to mains voltage, Other dimmable.

| Article data | |
|--------------------|---------------------|
| Article no. | 36453680 |
| GTIN | 4251433949619 |
| Series name | KALINDA-R |
| Short description | Recessed spot, GU10 |
| Material | Aluminium |
| Colour | Silver |
| Type of surface | Matt |
| Shape | Round |
| Outer diameter | 90 mm |
| Built-in diameter | 74 mm |
| Installation depth | 130 mm |
| Height | 3 mm |
| Weight | 0.127 kg |

| Lighting technology | |
|---------------------|-----------|
| Light output | Direct |
| Light sharing | Symmetric |

KALINDA-R Recessed spot, GU10
Article no. 36453680

Light.
 For Generations.

| Operating technology of the luminaire | |
|---------------------------------------|------------------------|
| System output | 50 W |
| Voltage type | AC |
| AC nominal voltage max | 230 V |
| Frequenz max. | 50 Hz |
| Lamp | for LED-retrofill lamp |
| Lamp holder | GU10 |
| Protection class | II |
| Degree of protection | IP20 |
| Control | Other |
| Bulb change possible | Yes |

| Mounting technology | |
|------------------------|---|
| Mounting method | Recessed mounting |
| Place of installation | Ceiling-mounted |
| Adjustability | Pivoted |
| Swivel angle | 40° |
| Max. ceiling thickness | 20 mm |
| Further references | No cover with thermal insulation material |
| Material cover | Without cover |
| Circlip | Without circlip |

| Packing data | |
|-------------------------|---|
| Gross weight | 0.174 kg |
| Length of packaging | 140 mm |
| Packaging width | 110 mm |
| Packaging height | 120 mm |
| Disposal at end of life | This product must not be disposed of with household waste. You are obliged, to dispose of such electrical waste separately. By disposing of electrical waste and other old or defective electronics separately, you support recycling or other forms of re-use. In that way you help to take care and to avoid that harmful substances get into the environment. |