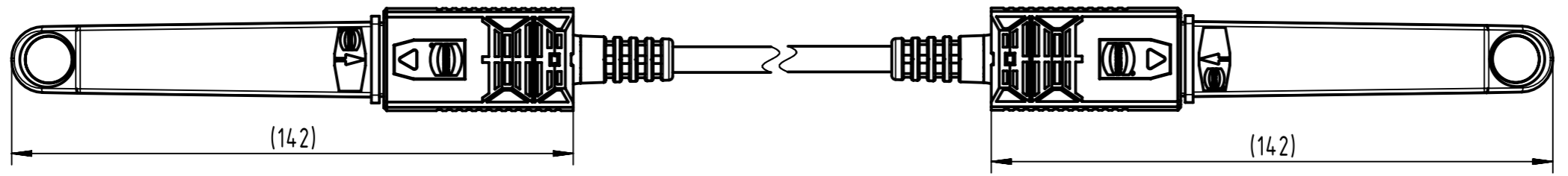
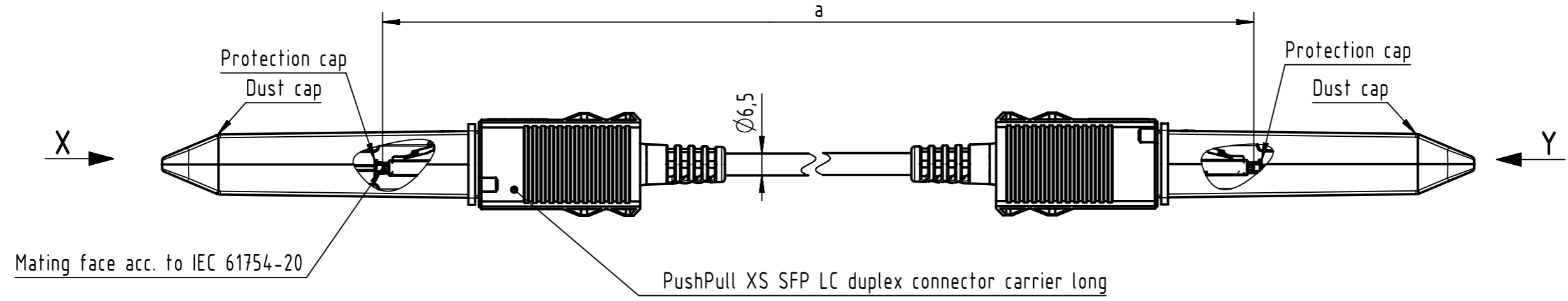


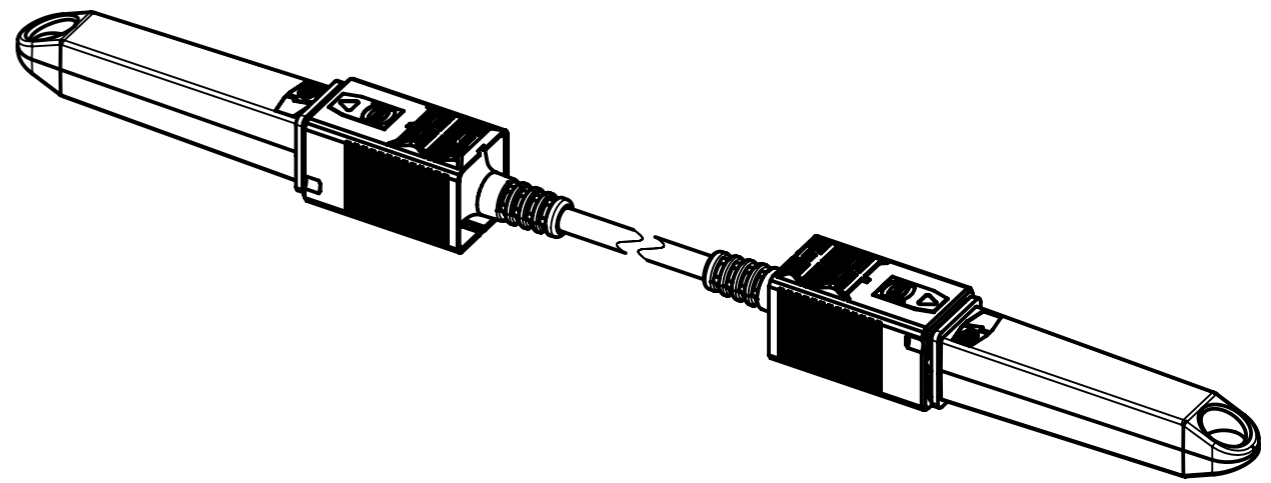
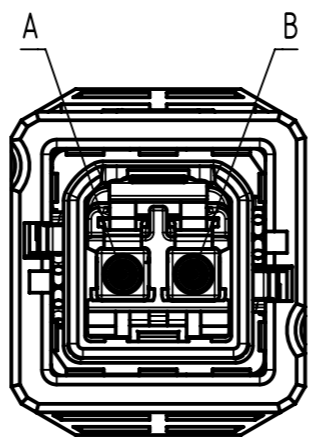
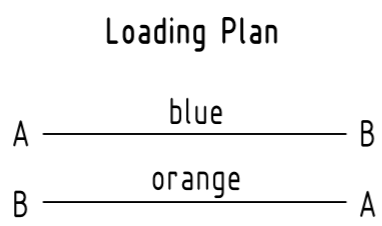
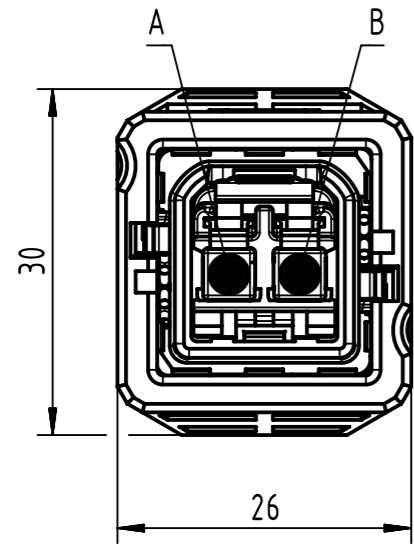
Connector Location A

Connector Location B



X
male
(without dust cap and protection cap)


Y
male
(without dust cap and protection cap)



Further information see DS 33265100000

	All rights reserved Department HCS - RO HARTING Customised Solutions D-32339 Espelkamp	Tech. Character.	Free size tol.	According to production drawing	
		Created by 402676 Gross	Inspected by 402676 Gross	Standardisation COSTEA Costea	Date 2022-08-31
Title PP XS LCdx Lg - PP XS LCdx Lg, SM Assy		Type TB		Number 3326231XXX0011	
Doc-Key / ECM-Nr. 100572207/UGD/032/E 500000219506		Rev. E	Page 1/2		

1	2	3	4	5	6	7	8	
A								
B								
C								
D								
E								
F								
27	33262311000011	FO Cable, 2-channel, SM, 9/125µm, PUR, black	100	±1%				
26	33262310900011		90					
25	33262310800011		80					
24	33262310700011		70					
23	33262310600011		60					
22	33262310500011		50					
21	33262310450011		45					
20	33262310400011		40					
19	33262310350011		35					
18	33262310300011		30					
17	33262310250011		25					
16	33262310200011		20					
15	33262310150011		15					
14	33262310140011		14					
13	33262310130011		13					
12	33262310120011		12					
11	33262310110011		11					
10	33262310100011		10					
9	33262310090011		9					
8	33262310080011		8					
7	33262310070011		7					
6	33262310060011		6					
5	33262310050011		5					
4	33262310040011		4					
3	33262310030011		3					
2	33262310020011		2			±0.03		
1	33262310010011		1					
Cont. no.	Part no.	Type of cable	Dim. a[m]					

	All rights reserved Department HCS - RO	Created by 402676 Gross	Inspected by 402676 Gross	Standardisation COSTEA Costea	Date 2022-08-31	State Final Release	Doc-Key / ECM-Nr. 100572207/UGD/032/E 500000219506
HARTING Customised Solutions D-32339 Espelkamp		Title PP XS LCdx Lg - PP XS LCdx Lg, SM Assy		Type TB	Number 3326231XXX0011		Rev. E Page 2/2