

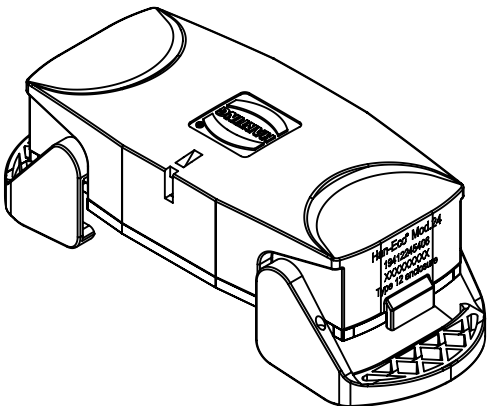
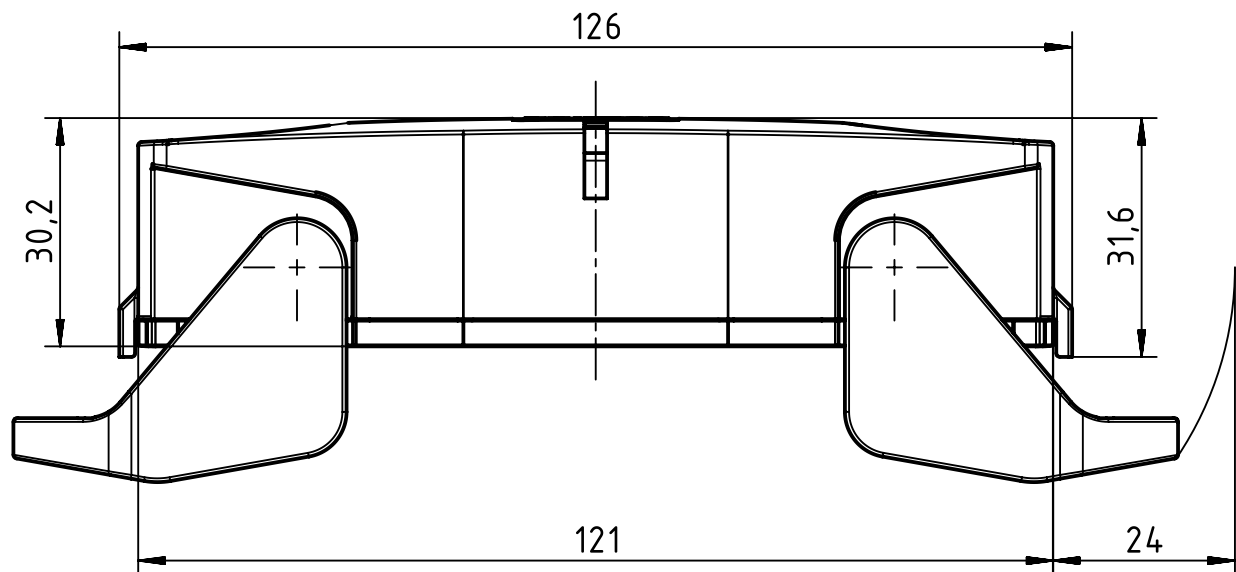
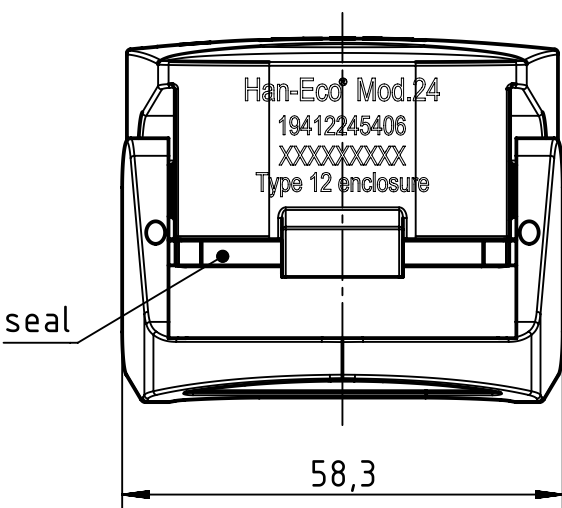
1 2 3 4 5 6


A

B

C

D



	All rights reserved Department EL PD	All Dimensions in mm Original Size DIN A4		Scale 1:1	Free size tol.	Ref.
		HARTING Electric GmbH & Co. KG D-32339 Espelkamp	Created by SPRENB	Inspected by BERGHORN	Standardisation SCHMIDTM	Date 2018-09-12
Title Han-Eco Mod.24 Outd.-C-f. HTE/HSE						Doc-Key / ECM-Nr. 100515853/UGD/002/C 500000139657
Type TB				Number 19 41 224 5406		Rev. C
						Page 1/1