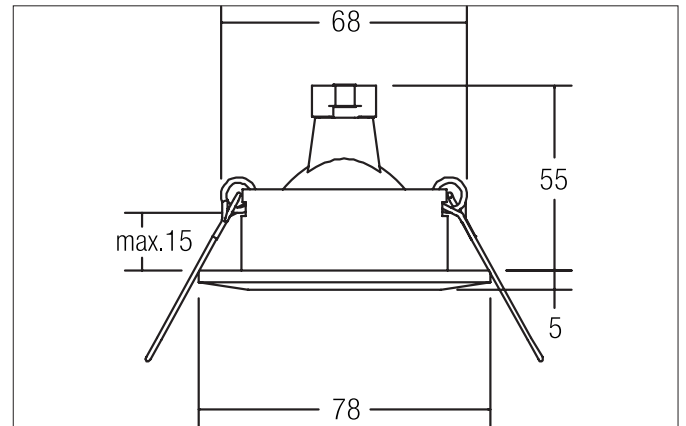


VELEK Recessed downlight, GX5,3
Article no. 2117.07

Light.
For Generations.



Tender

Recessed downlight, GX5,3, white, Round. In a compact design, for installation in tool-less rapid assembly systems. Lamp holder: GX5.3, Mounting method: Recessed mounting, Place of installation: Ceiling-mounted, Material: Cast aluminium, Degree of protection: according to DIN EN 60529 IP20, Protection class: (EN 61140) III, Voltage: 12V, Power: 50W, Amount of light sources / fittings: 1.0 Qty, Adjustability: Not adjustable, With control gear: No, Dimmable: Depending on type of control gear, Control: Dimming depending on driver.

Product Benefits

- Round recessed downlight made of cast aluminum.
- For LED retrofit lamp GX5.3.
- Easy and tool-free installation.
- Dimmable when using appropriate accessories.
- Diameter 80 mm, ceiling cutout 60 mm, installation depth 55 mm, ceiling thickness max. 25 mm.
- Available in chrome, chrome matt and white color finishes

VELEK Recessed downlight, GX5,3
Article no. 2117.07

Light.
For Generations.

Article data	
Article no.	2117.07
GTIN	4250047709039
Series name	VELEK
Short description	Recessed downlight, GX5,3
Material	Cast aluminium
Colour	White
Type of surface	Glossy
Shape	Round
Outer diameter	78 mm
Built-in diameter	68 mm
Installation depth	55 mm
Hight	5 mm
Weight	0.095 kg

Operating technology of the luminaire	
System output	50 W
Voltage type	AC/DC
AC nominal voltage max	12 V
Frequenz max.	50 Hz
Lamp	for LED-retrofill lamp
Lamp holder	GX5.3
Protection class	III
Degree of protection	IP20
Dimmable	Depending on type of control gear
Control	Dimming depending on driver
Bulb change possible	Yes

Mounting technology	
Mounting method	Recessed mounting
Place of installation	Ceiling-mounted
Adjustability	Not adjustable
Max. ceiling thickness	15 mm
Further references	No mounting box No cover with thermal insulation material
Material cover	Without cover
Circlip	With circlip

Packing data	
Gross weight	0.11 kg
Length of packaging	85 mm
Packaging width	43 mm
Packaging hight	84 mm
Disposal at end of life	This product must not be disposed of with household waste. You are obliged, to dispose of such electrical waste separately. By disposing of electrical waste and other old or defective electronics separately, you support recycling or other forms of re-use. In that way you help to take care and to avoid that harmful substances get into the environment.