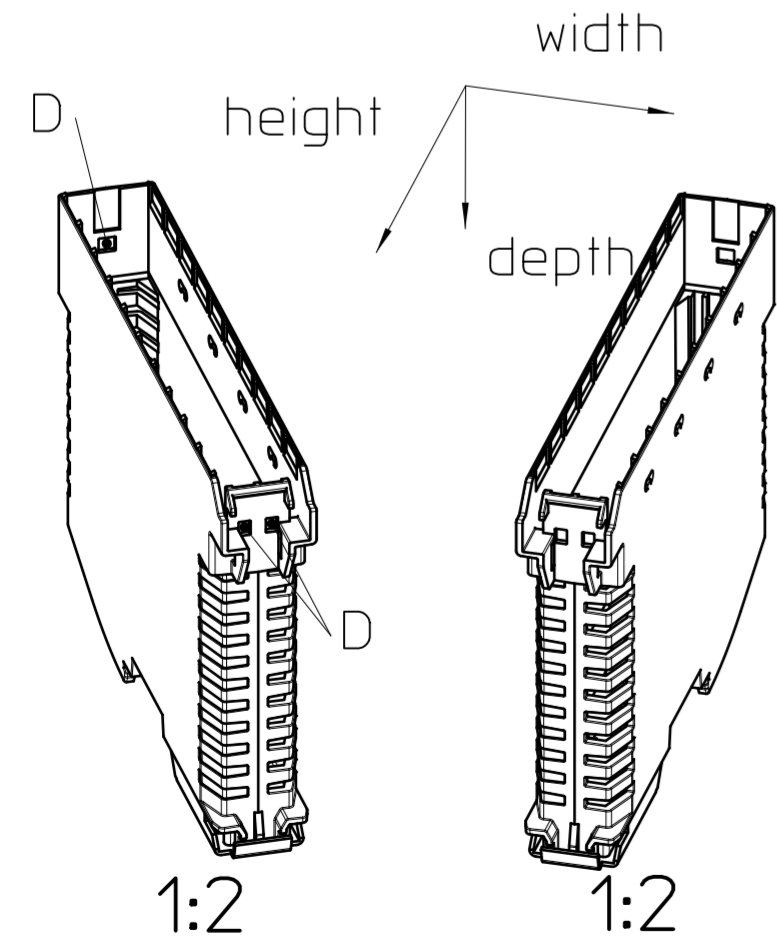
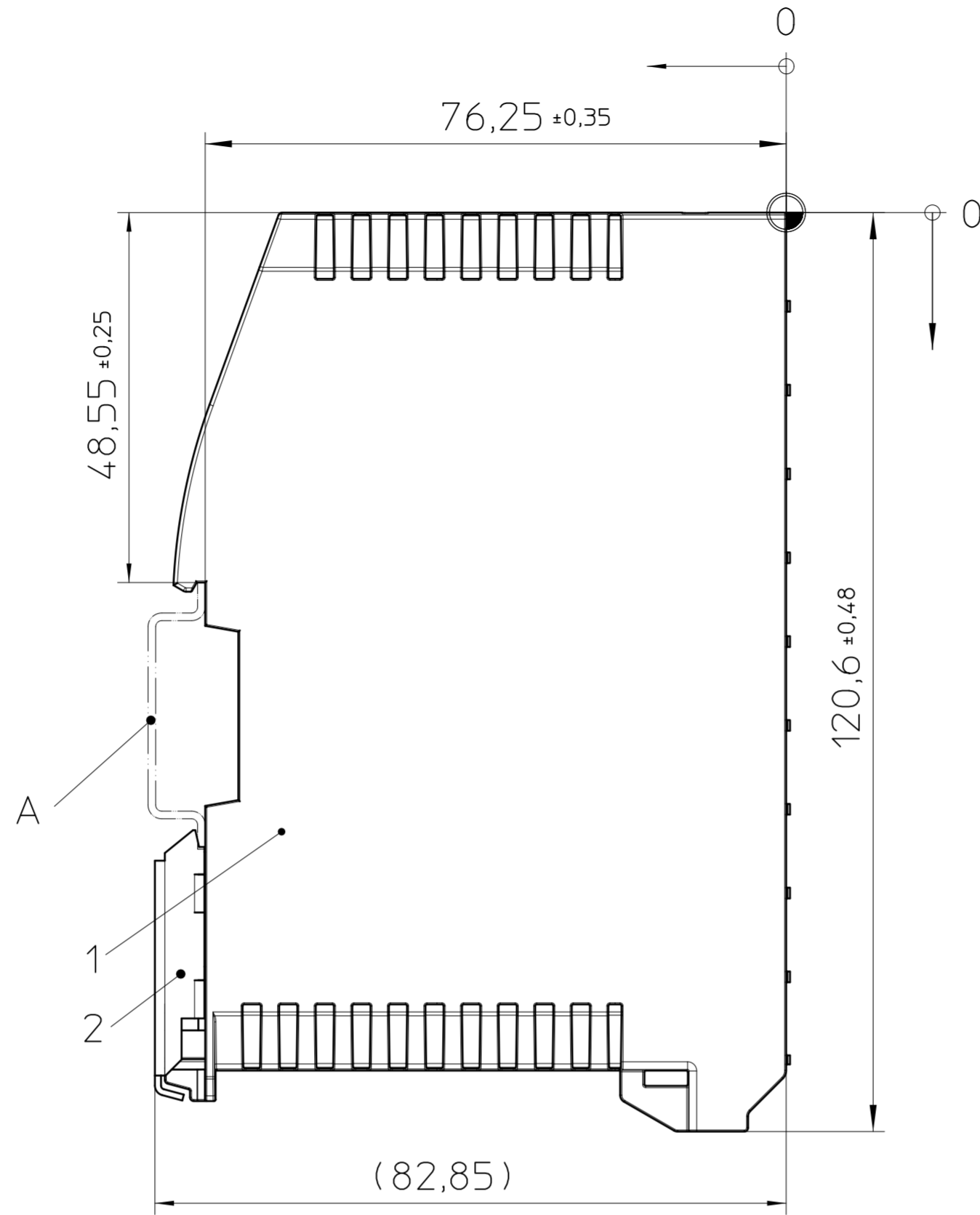
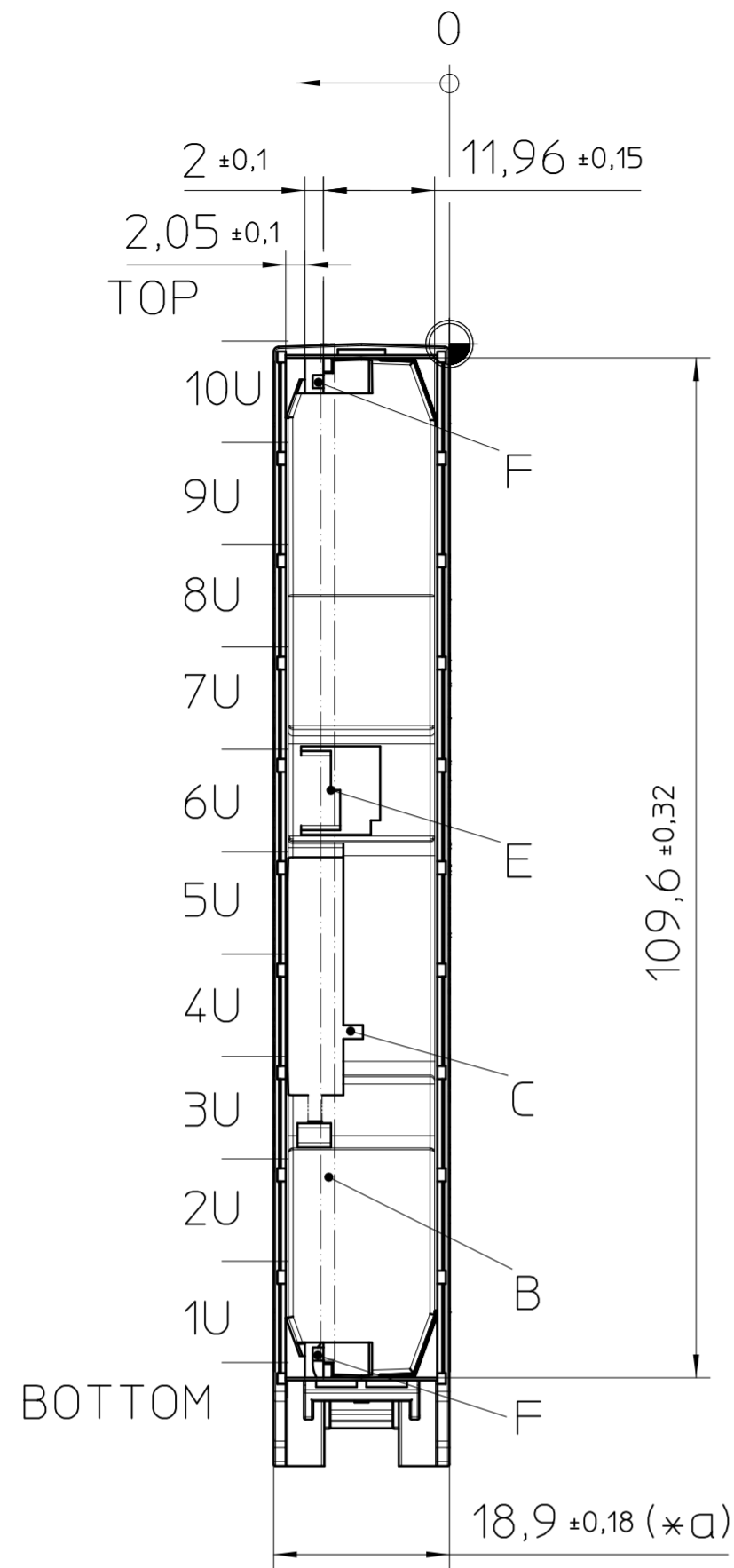


Transfer or duplication of this document as well as the utilisation or communication of its content are not permitted unless express consent is granted. Violations give rise to claims for damages. All rights reserved in case of patent, utility model or design patent registrations.

Weitergabe sowie Vervielfältigung dieses Dokuments, Verwertung und Mitteilung seines Inhalts sind verboten, soweit nicht ausdrücklich gestattet. Zuwiderhandlungen verpflichten zu Schadenersatz. Alle Rechte für den Fall der Patent-, Gebrauchsmuster- oder Designeintragung vorbehalten.



General Information:

- Simplified representation
- Document excluded from change process
- Units are in millimeters [mm] and degrees [°]
- Tolerances apply in a normal climate according to DIN EN ISO 291-23/50-2, PA plastic parts with about 2% (% by weight) moisture content.
- Workpiece zero point for mechanical processing
- Tolerances for printing DIN ISO 2768-m
- Web: www.phoenixcontact.com webcode: #1635
- In case of distortion there is no functional impact of the single part in the application.

Additional Information:

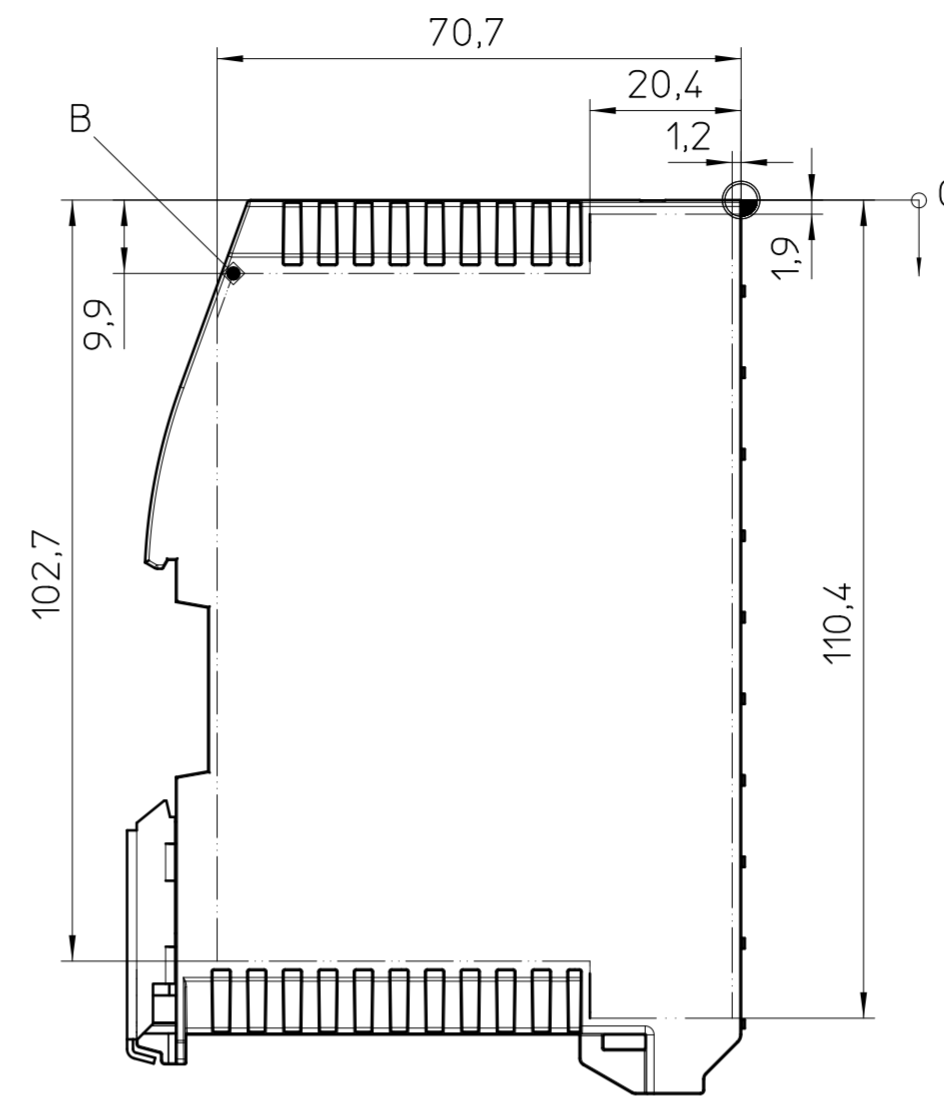
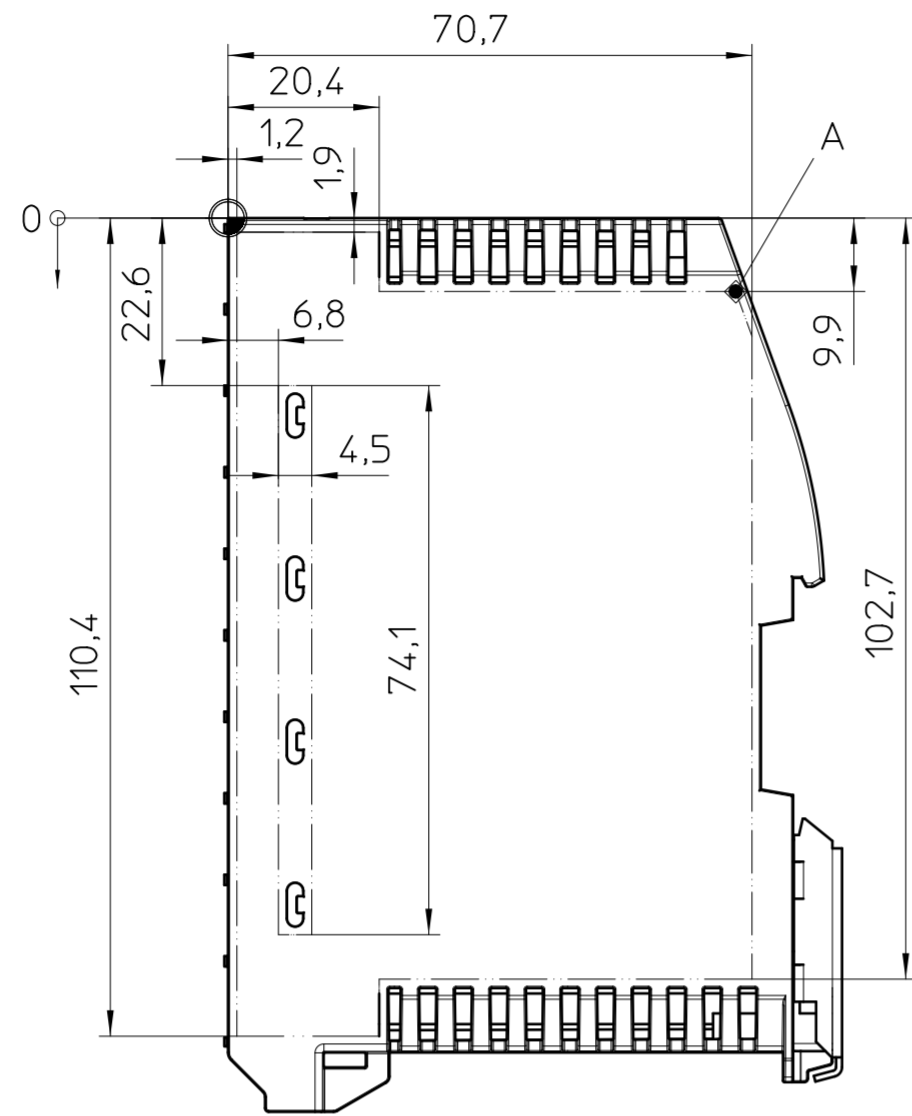
- A) Mounting rail like EN 60715, TH 35-7,5 or mounting rail similar EN 60715, TH 35-15x1,5
- B) PCB $t=1,6\pm 0,2$
- C) Guidance slot for TBUS . . .
- D) Opening for fixing ME-IO Cover . . .
- E) Opening for ME BUS FE CONTACT
- F) Fixing PCB

ME-IO 18,8 EB 10U TBUS		
Pos.	QTY	Description
1	1	HOUSING (PA)
2	1	FOOT CATCH with SPRING (St,X12CrNi)

-	tolerance	-	description	color
*a	+0,18 / -0,3	valid for	ME-IO 18,8 EB 10U TBUS	BU5015/YE1018

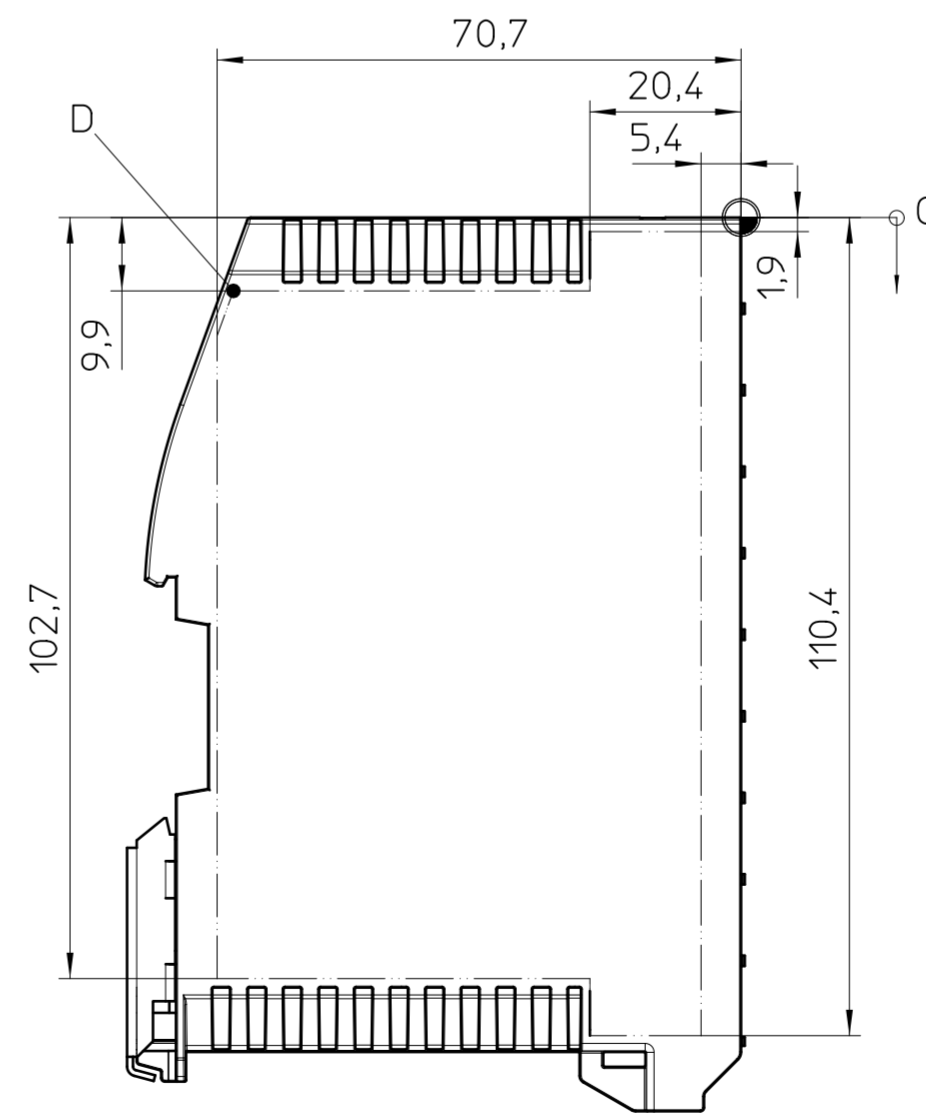
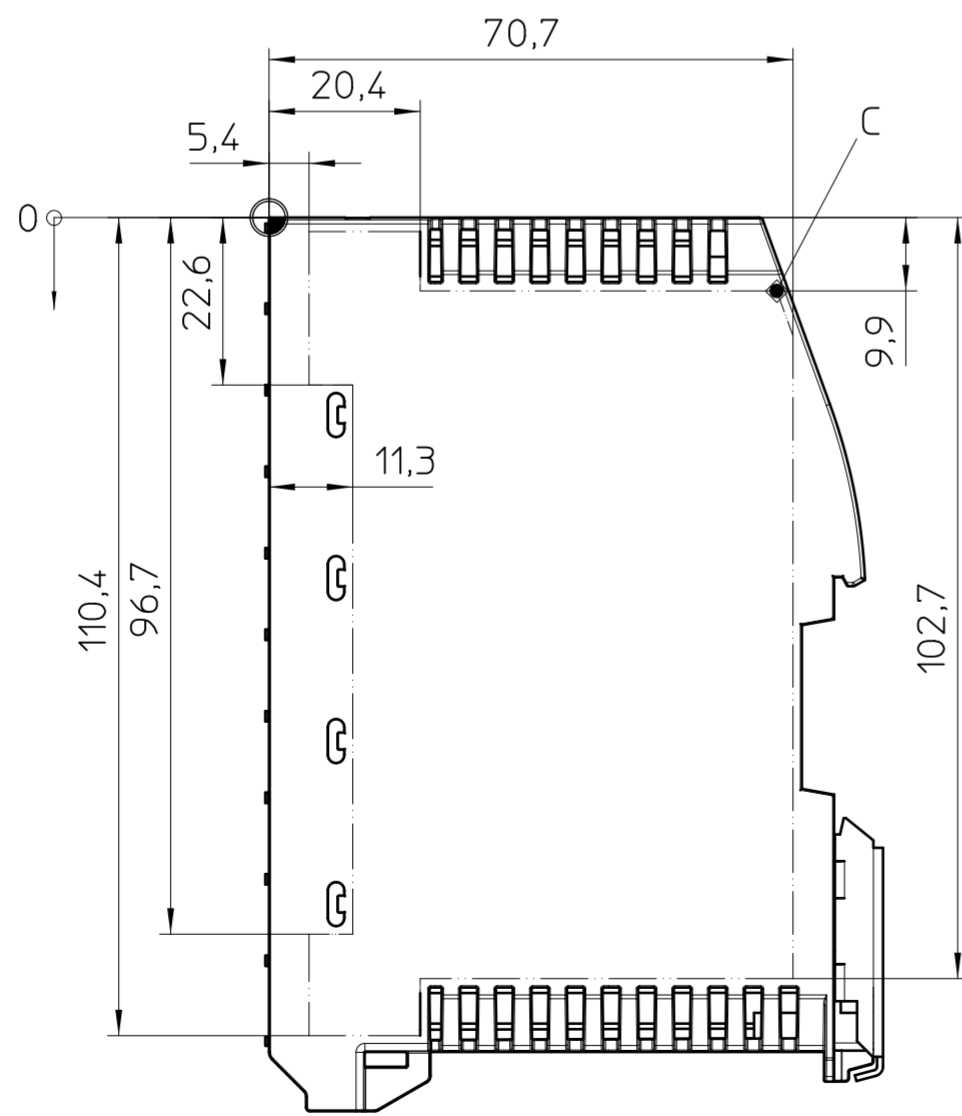
	DIN A3	document-No. / RI	01218822 / 03	date	28.04.2025	scale	1:1	
		ident.-No.	1103440	document-type				
page 1	of 2	description					ME-IO 18,8 EB 10U TBUS 7035	

Marking area




Transfer or duplication of this document as well as the utilisation or communication of its content are not permitted unless express consent is granted. Violations give rise to claims for damages. All rights reserved in case of patent, utility model or design patent registrations.

Machining area



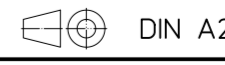

Weitergabe sowie Vervielfältigung dieses Dokuments, Verwertung und Mitteilung seines Inhalts sind verboten, soweit nicht ausdrücklich gestattet. Zuwiderhandlungen verpflichten zu Schadensersatz. Alle Rechte für den Fall der Patent-, Gebrauchsmuster- oder Designeintragung vorbehalten.

General Information:

- Simplified representation
- Document excluded from change process
- Units are in millimeters [mm] and degrees [°]
- Tolerances apply in a normal climate according to DIN EN ISO 291-23/50-2, PA plastic parts with about 2% (% by weight) moisture content.
-  Workpiece zero point for mechanical processing
- Tolerances for printing DIN ISO 2768-m
- Web: www.phoenixcontact.com webcode: #1635
- In case of distortion there is no functional impact of the single part in the application.
- For milling > 50% of the machining area, the machinability should be verified.

Additional Information:

- A) Marking area right
- B) Marking area left
- C) Machining area right
- D) Machining area left

	document-No. / RI	date	scale
	01218822 / 03	28.04.2025	1:1
	ident.-No.	document-type	
	1103440	description	
page 2	of 2	ME-IO 18,8 EB 10U TBUS 7035	