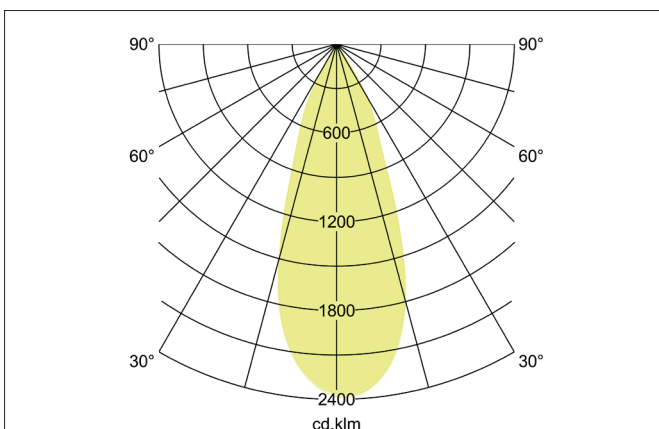
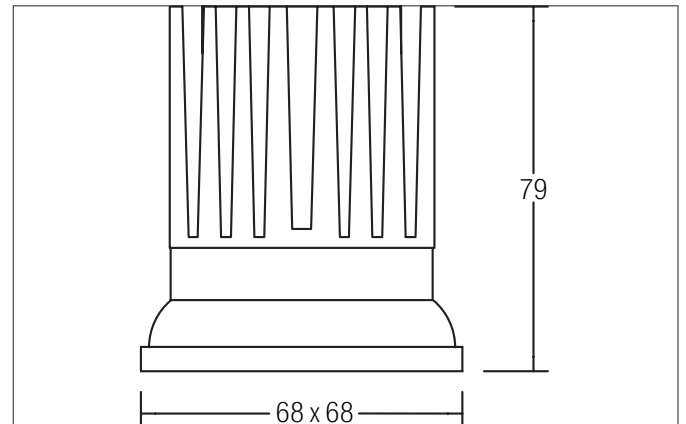


COUPLED-S LED system downlight, IP44, square

Article no. 12640073

Light.
For Generations.**Tender**

LED system downlight, IP44, square, Square. Ceiling cut-out Installation depth 79 mm, Length 68 mm, Width 68 mm, Weight 0,190 kg, Reflector silver with rotationssymmetrical, deep, wide distributed light intensity. optimal light distribution due to a glass transparent cover. Luminous flux 950 lm, Power 1 x 8,9 W, System Efficiency 107 lm/W, Light colour warm white, Correlated color temperature (CCT) 3.000 K, Colour rendering index CRI > 90, Housing material: Aluminium / Plastic, Colour: White, Permissible ambient temperature (ta): -20 °C - +25 °C, Protection class (EN 61140): III, Degree of protection (DIN EN 60529): IP40. For connection to an external driver, which is not included in the scope of delivery of the luminaire. Depending on driver dimmable.

Article data	
Article no.	12640073
GTIN	4251433916130
Series name	COUPLED-S
Short description	LED system downlight, IP44, square
Material	Aluminium / Plastic
Colour	White
Type of surface	Matt
Shape	Square
Installation depth	79 mm
Length	68 mm
Width	68 mm
Weight	0.190 kg

COUPLED-S LED system downlight, IP44, square

Article no. 12640073

Light.
For Generations.

Lighting technology	
Colour temperature	3.000 K
Light colour	White
Light output	Direct
Luminous flux	950 lm/m
System efficiency	107 lm/W
Colour rendering	CRI > 90
Reflector	High-gloss
Reflektorfarbe	silver
Beam angle	34°
Light sharing	Symmetric

Operating technology of the luminaire	
System output	8.9 W
Voltage type	DC
Current	500 mA
Lamp	LED
Protection class	III
Degree of protection	IP40
Schutzart deckenseitig	IP20
Dimmable	Depending on type of control gear
Control	Depending on driver
Bulb change possible	Yes

Mounting technology	
Mounting method	Recessed mounting
Place of installation	Ceiling-mounted
Adjustability	Not adjustable
Further references	No cover with thermal insulation material
Material cover	Glass transparent

Packing data	
Gross weight	0.259 kg
Length of packaging	105 mm
Packaging width	105 mm
Packaging height	110 mm
Disposal at end of life	This product must not be disposed of with household waste. You are obliged, to dispose of such electrical waste separately. By disposing of electrical waste and other old or defective electronics separately, you support recycling or other forms of re-use. In that way you help to take care and to avoid that harmful substances get into the environment.

COUPLED-S LED system downlight, IP44, square

Article no. 12640073

Light.
For Generations.

Accessories	
	Article no.: 17823010 LED converter 500 mA, on/off switchable Power: 1 - 22 W Dimensions: 146 mm x 43.5 mm x 30 mm
	Article no.: 17822010 LED converter 500 mA, trailing-edge phase dimmable Power: 8 - 20 W Dimensions: 110 mm x 52 mm x 22 mm
	Article no.: 17829010 LED converter 500 mA, trailing-edge phase dimmable Power: 1 - 24 W Dimensions: 166 mm x 46 mm x 34 mm
	Article no.: 17824010 LED converter 500 mA, 1-10V dimmable (analog) Power: 5 - 27 W Dimensions: 146 mm x 43.5 mm x 30 mm
	Article no.: 17826010 LED converter 500 mA, DALI dimmable (digital) Power: 5 - 27 W Dimensions: 146 mm x 44 mm x 30 mm