

5

4

3

2

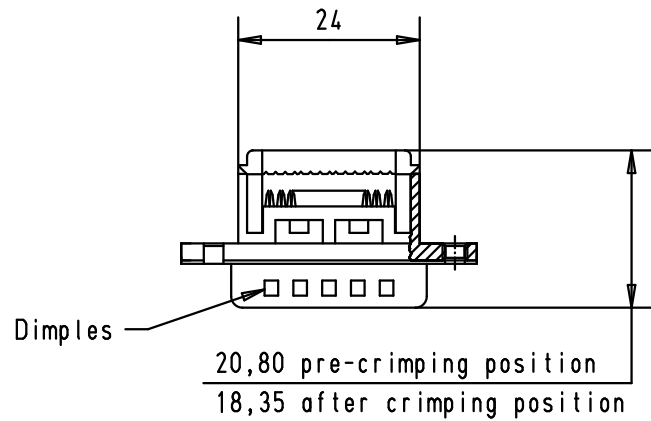
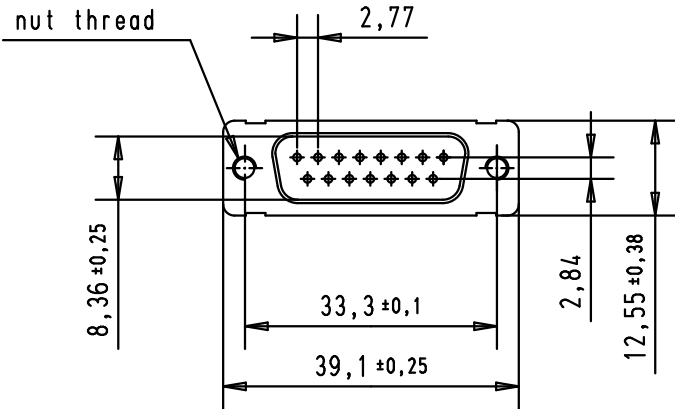
1

D

C

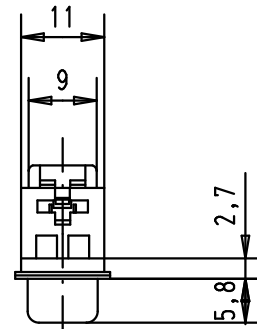
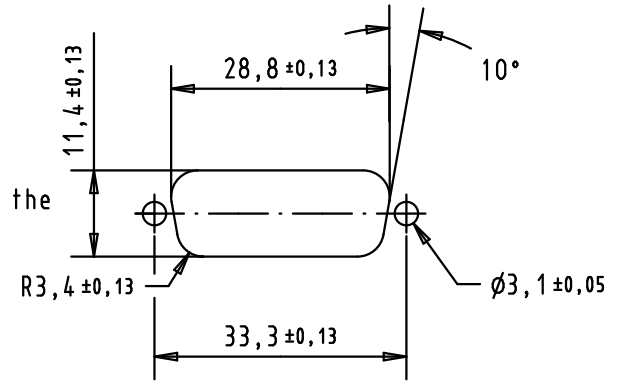
B

A





Values are taken from the CECC 75 301-802

RECOMMENDED PANEL CUTOUT DIMENSIONS FOR REAR MOUNTING



1.27 mm pitch flat cable stranded, wire sizes : AWG 26 to 28

09 66 228 7702	PL3	4-40 UNC									 All Dim. in mm Orig. Size DIN A 4	D-sub, male, 15 poles, straight, IDC, nut fixing	Maßstab/ Scale 1 : 1
09 66 228 6702	PL2	4-40 UNC				Detail.	19-MAR-02	CV					
09 66 228 7701	PL3	M3				Insp.	23-SEP-11	JB					
09 66 228 6701	PL2	M3				Stand.							
				EC03837	23-SEP-11	BH							
				EC01902	21-MAY-10	SC	HARTING EURL				TB 09 66 228 x70x	Blatt/ Page 1 / 1	
				29756	19-MAR-02	CV	F-95972 Paris						
part number	performance level	Nut thread		Mod.	Dot.	Name	 Sub.						