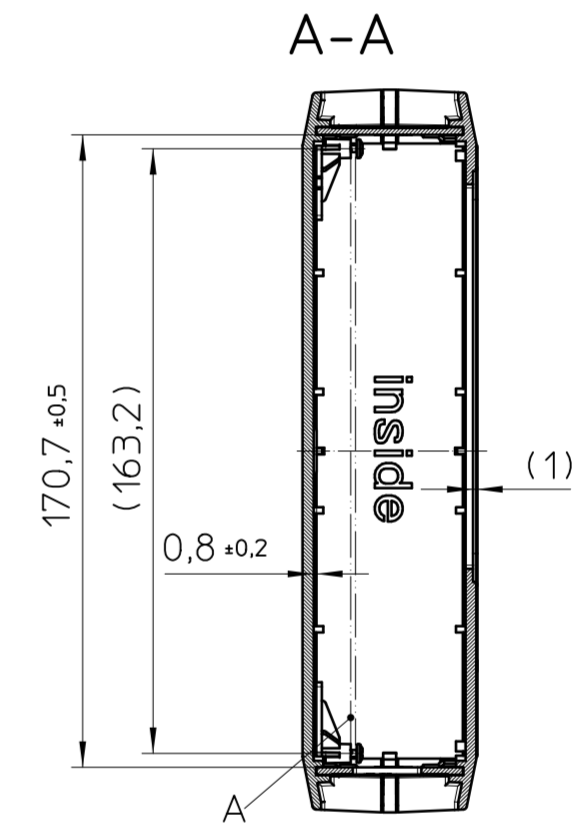
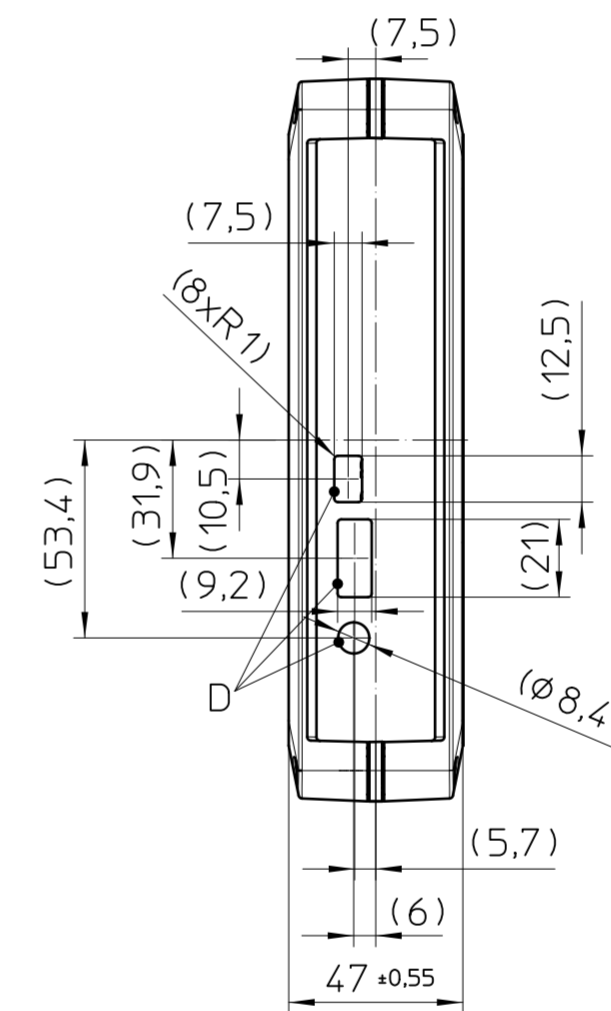
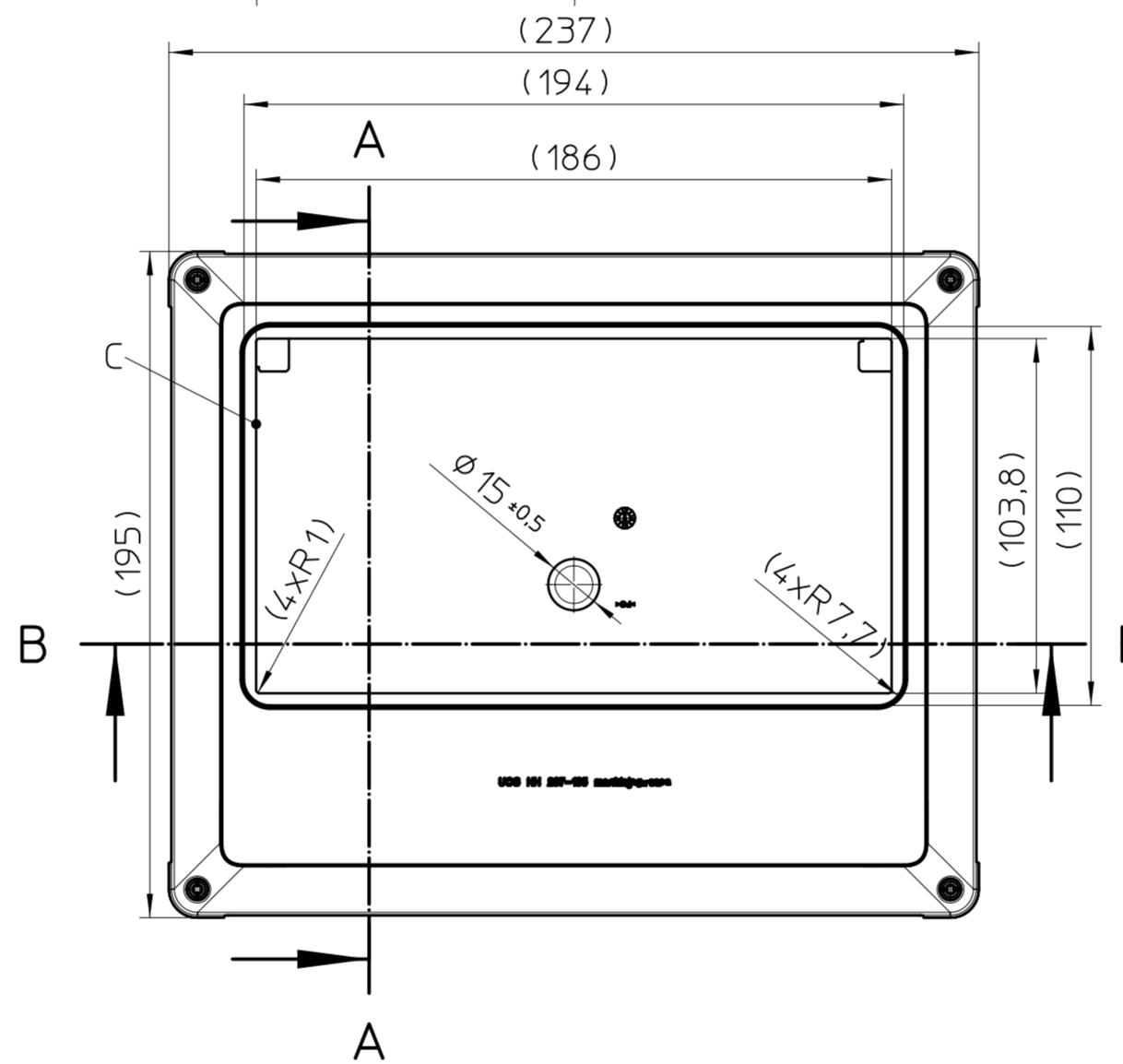
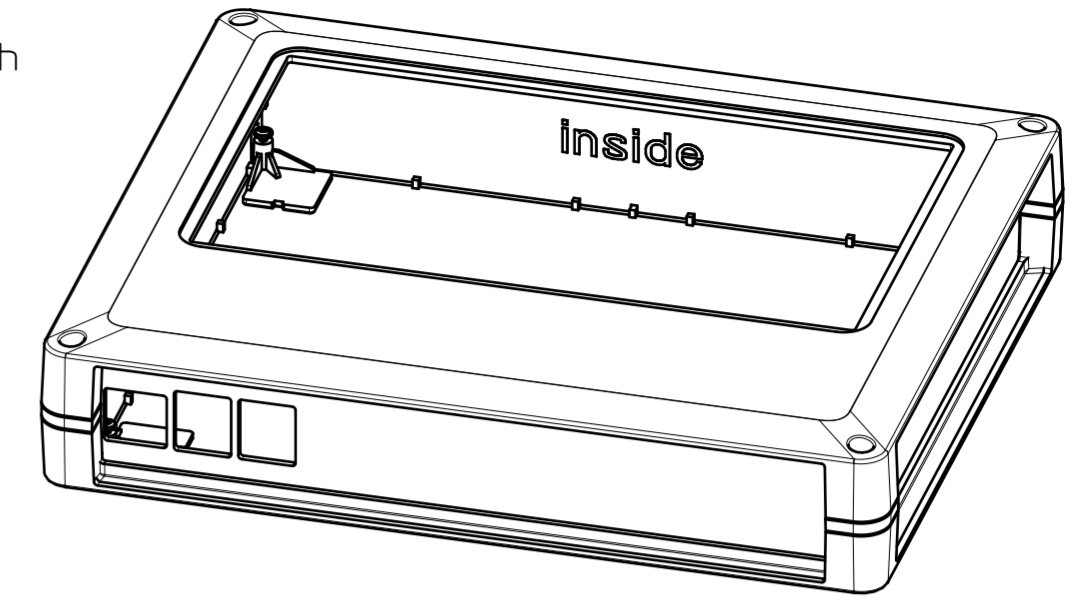
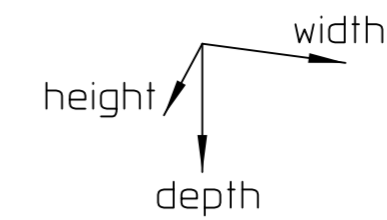
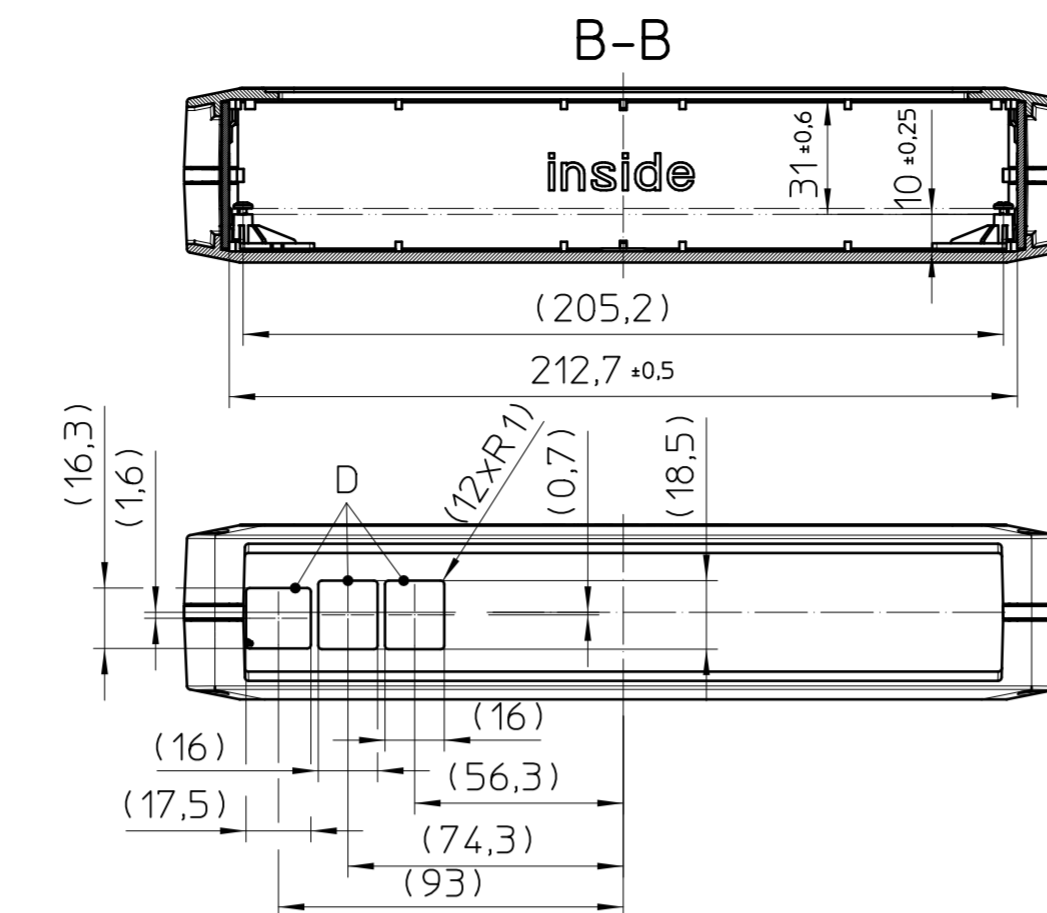
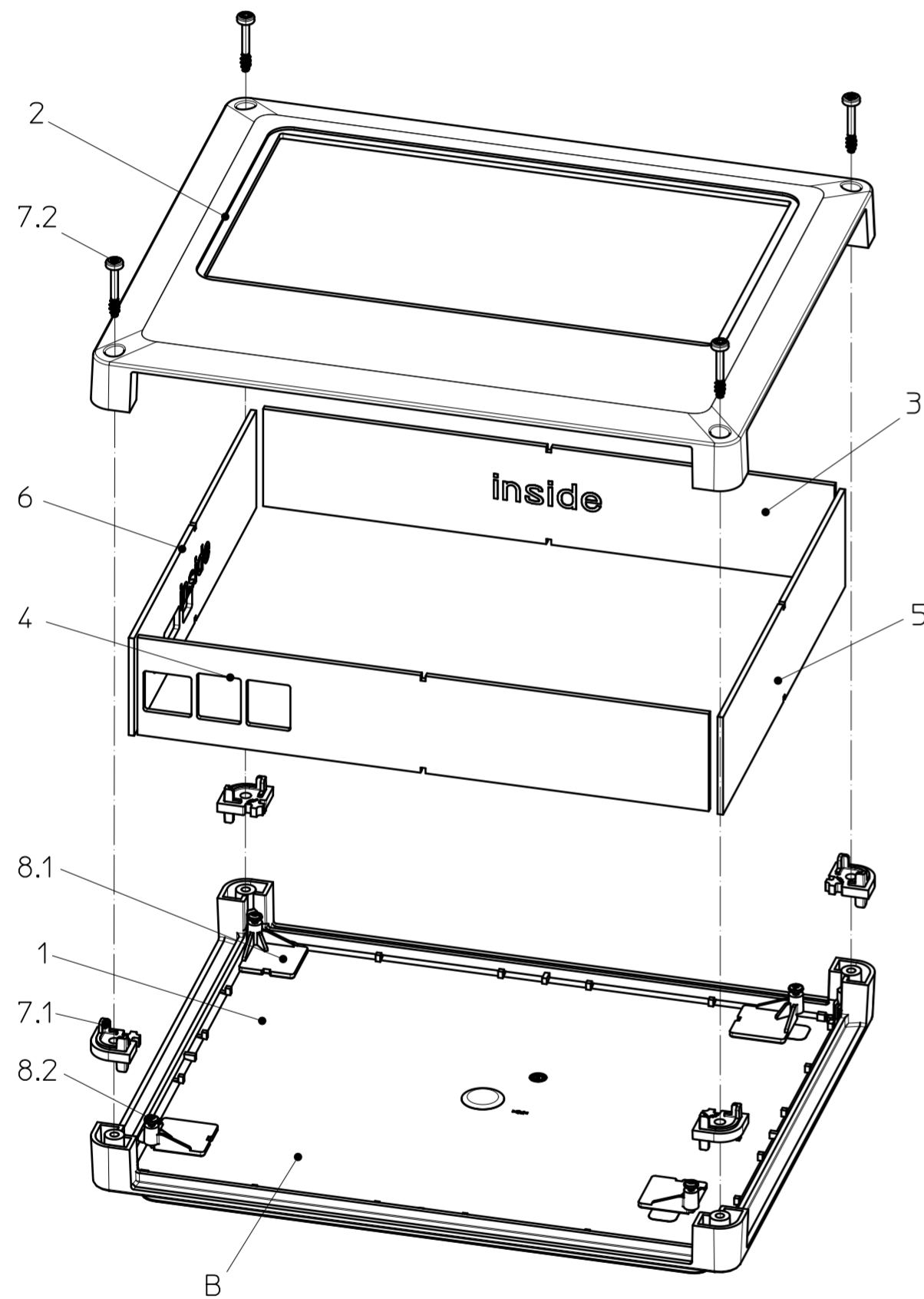


Transfer or duplication of this document as well as the utilisation or communication of its content are not permitted unless express consent is granted. Violations give rise to claims for damages. All rights reserved in case of patent, utility model or design patent registrations. Tolerance specifications do not include clearances inherent in the design.

Weitergabe sowie Vervielfältigung dieses Dokuments, Verwertung und Mitteilung seines Inhalts sind verboten, soweit nicht ausdrücklich gestattet. Zuwiderhandlungen verpflichten zu Schadensersatz. Alle Rechte für den Fall der Patent-, Gebrauchsmuster- oder Designeintragung vorbehalten. Bauartbedingtes Spiel ist in den Toleranzangaben nicht berücksichtigt.



General Information:

- Simplified representation, exemplary shown in gray and for Corner Connector (6.1) turquoise and for Glue Dome (7.1) black.
- Document excluded from change process
- Units are in millimeters [mm] and degrees [°]
- Tolerances apply in a normal climate according to DIN EN ISO 291-23/50-2, PA plastic parts with about 2% (% by weight) moisture content.
- Web: www.phoenixcontact.com webcode: #0853

Additional Information:

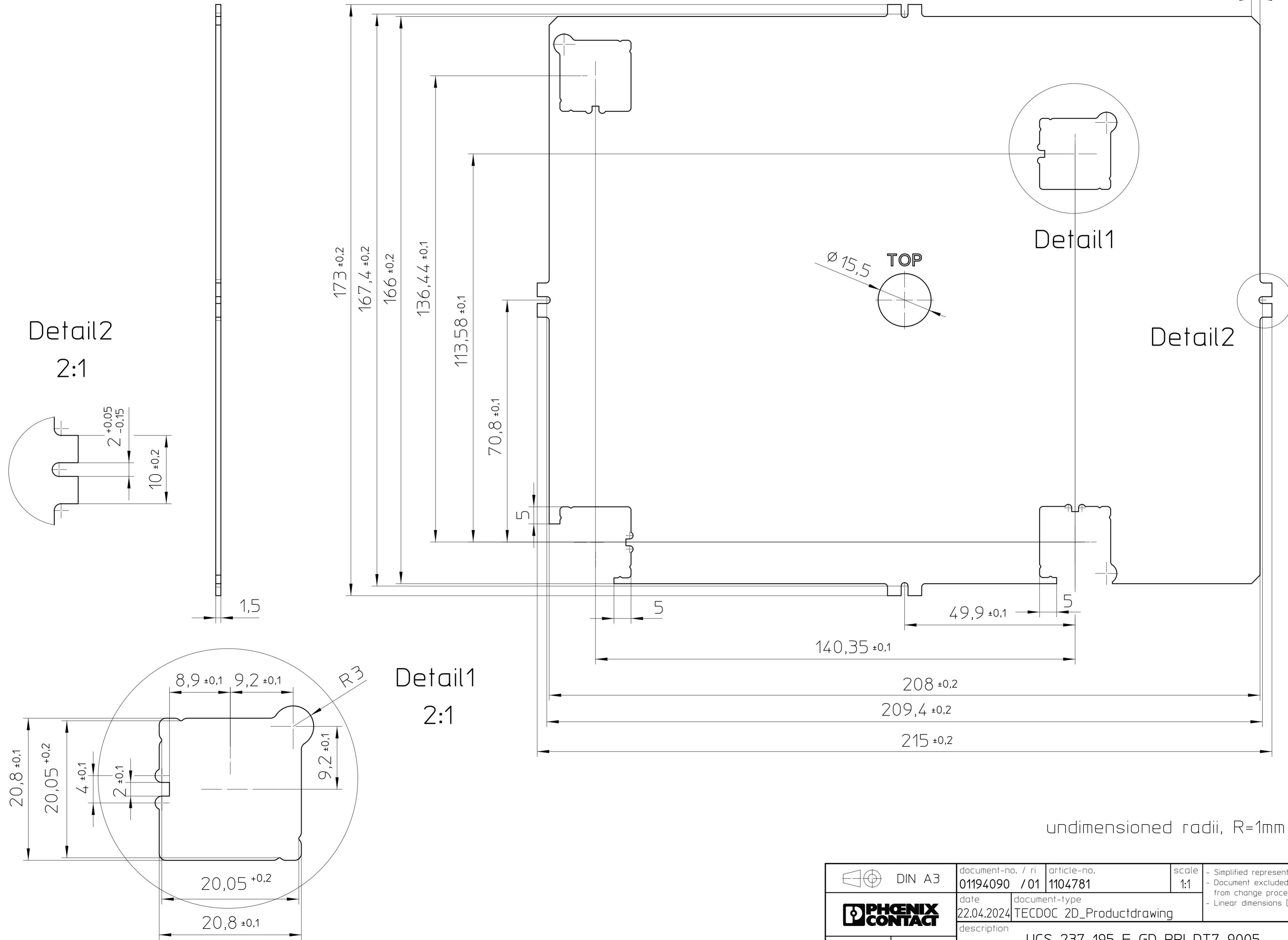
- A. PCB t=0,8-3mm
- B. Free position for UCS GD (Pos.8.1+8.2) example position for max. PCB
- C. Cut-out for RPI Touch-Display 7"
- D. Cut-out for RPI

KIT (not mounted)			
Pos.	QTY	Description	Item number
1	1	HALF HOUSING 237-195	2203356
2	1	HALF HOUSING 237-195-RPI-DT7	
3	1	SIDE WALL 237 FLAT	2203385
4	1	SIDE WALL 237 FLAT-RPI-RJ45-USB	
5	1	SIDE WALL 195 FLAT	2203378
6	1	SIDE WALL 195 FLAT RPI-HDMI	
7	1	CORNER CONNECTOR KIT	2203404
7.1	4	CORNER CONNECTOR	
7.2	4	SCREW PT 3,5X40 TORX	
8	1	GLUE DOME KIT	2203401
8.1	4	GLUE DOME	
8.2	4	SCREW PT 2,5X8 TORX	

	document-no. / ri	article-no.	scale	- Simplified representation Document excluded from change process - Linear dimensions [mm]
	01194090 / 01	1104781	1:2	
	date	document-type		
	22.04.2024	TECDCOC_2D_Productdrawing		
page 1	of 4	description UCS 237-195-F-GD-RPI-DT7 9005		

Transfer or duplication of this document as well as the utilisation or communication of its content are not permitted unless express consent is granted. Violations give rise to claims for damages. All rights reserved in case of patent, utility model or design patent registrations. Tolerance specifications do not include clearances inherent in the design.

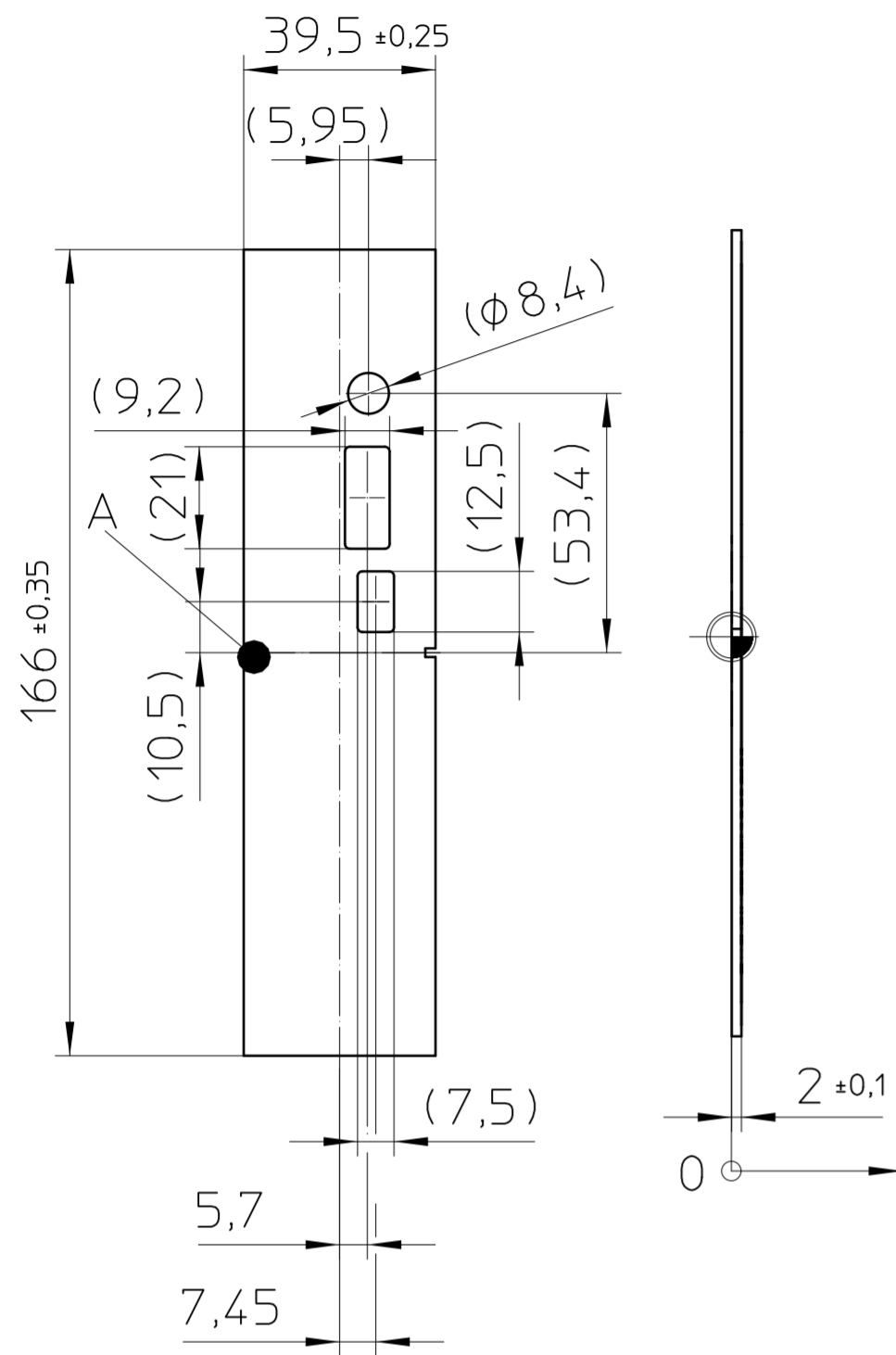
Weitergabe sowie Vervielfältigung dieses Dokuments, Verwertung und Mitteilung seines Inhalts sind verboten, soweit nicht ausdrücklich gestattet. Zuwiderhandlungen verpflichten zu Schadenersatz. Alle Rechte für den Fall der Patent-, Gebrauchsmuster- oder Designeintragung vorbehalten. Bauartbedingtes Spiel ist in den Toleranzangaben nicht berücksichtigt.



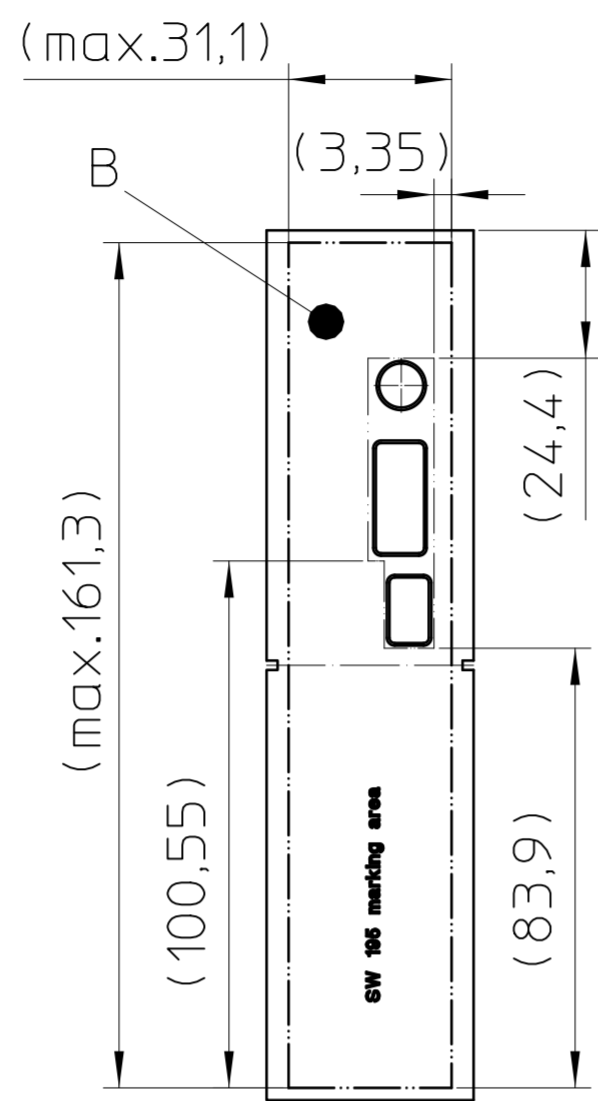
DIN A3 	document-no. / ri	article-no.	scale	- Simplified representation - Document excluded from change process - Linear dimensions [mm]
	01194090 / 01	1104781	1:1	
date	document-type			
22.04.2024	TECDOC 2D_Productdrawing			
description	UCS 237-195-F-GD-RPI-DT7 9005			
page 2	of 4			

Transfer or duplication of this document as well as the utilisation or communication of its content are not permitted unless express consent is granted. Violations give rise to claims for damages. All rights reserved in case of patent, utility model or design patent registrations. Tolerance specifications do not include clearances inherent in the design.

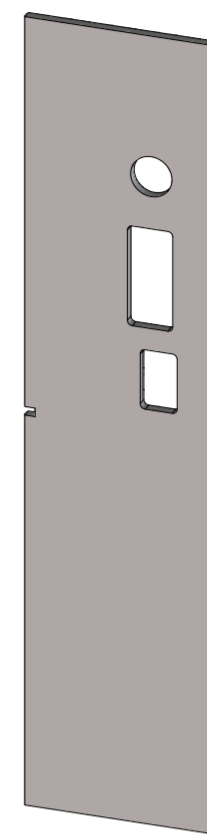
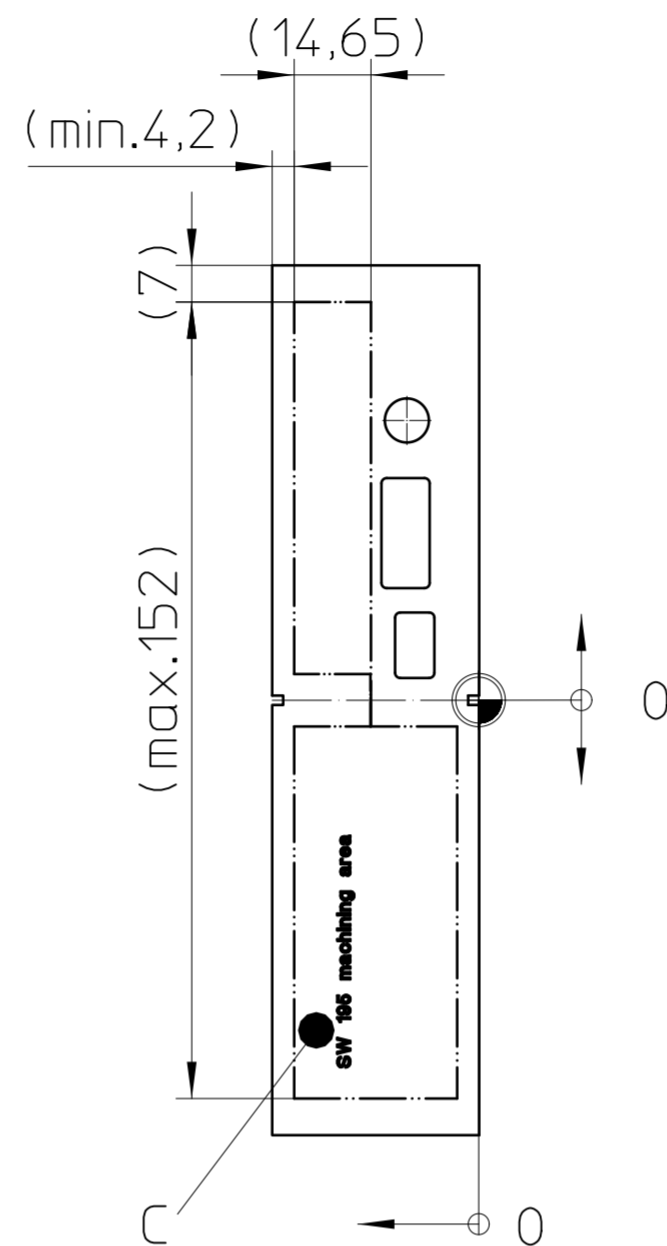
Weitergabe sowie Vervielfältigung dieses Dokuments, Verwertung und Mitteilung seines Inhalts sind verboten, soweit nicht ausdrücklich gestattet. Zuwiderhandlungen verpflichten zu Schadensersatz. Alle Rechte für den Fall der Patent-, Gebrauchsmuster- oder Designeintragung vorbehalten. Bauartbedingtes Spiel ist in den Toleranzangaben nicht berücksichtigt.



Marking area



Machining area



General Information:

- Simplified representation, exemplary shown in gray
- Tolerances apply in a normal climate according to DIN EN ISO 291-23/50-2.
- Web: www.phoenixcontact.com webcode: #0853

Additional Information:

- A. centering lug for UCS HH...
- B. max. marking area with standard printing process
 - other printing processes on request
- C. max. machining area
 - min. continuous outerbar width 7mm and 4,2mm
 - processing radii R1
 - further on request

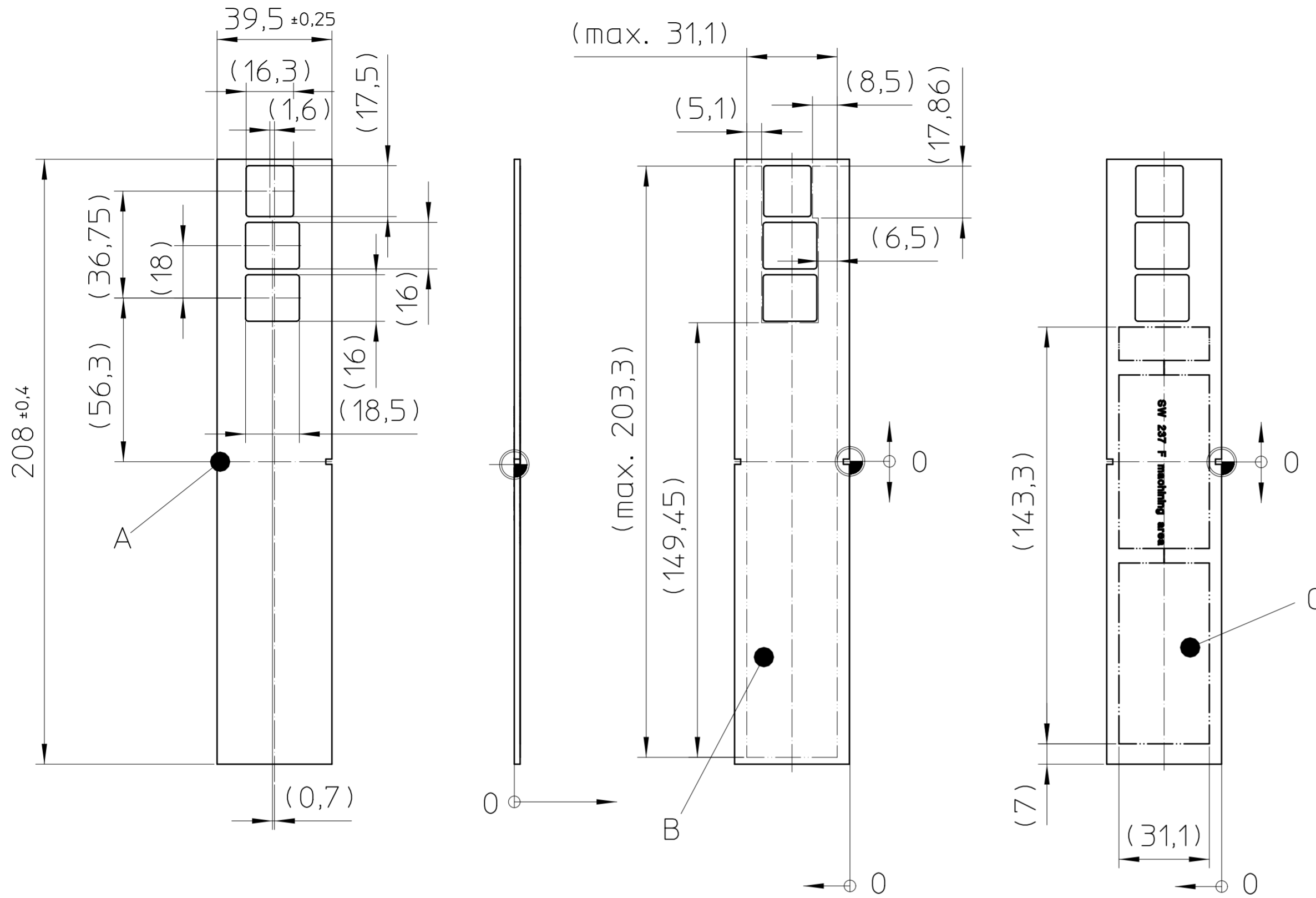
- ⊕ = Workpiece zero point for mechanical processing
 - Tolerances for mechanical processing:
 - milled to workpiece zero point ±0,2
 - milled to other reference points ±0,1

DIN A3 	document-no. / ri	article-no.	scale	- Simplified representation - Document excluded from change process - Linear dimensions [mm]
	01194090 / 01	1104781	1:2	
date		document-type		description
22.04.2024		TECDCOC 2D_Productdrawing		
page 3 of 4		UCS 237-195-F-GD-RPI-DT7 9005		

Pos.	QTY	Description	Material
1	1	SIDE WALL 195-F RPI	PC

Transfer or duplication of this document as well as the utilisation or communication of its content are not permitted unless express consent is granted. Violations give rise to claims for damages. All rights reserved in case of patent, utility model or design patent registrations. Tolerance specifications do not include clearances inherent in the design.

Weitergabe sowie Vervielfältigung dieses Dokuments, Verwertung und Mitteilung seines Inhalts sind verboten, soweit nicht ausdrücklich gestattet. Zuwiderhandlungen verpflichten zu Schadenersatz. Alle Rechte für den Fall der Patent-, Gebrauchsmuster- oder Designeintragung vorbehalten. Bauartbedingtes Spiel ist in den Toleranzangaben nicht berücksichtigt.



General Information:

- Simplified representation, exemplary shown in gray
- Tolerances apply in a normal climate according to DIN EN ISO 291-23/50-2.
- Web: www.phoenixcontact.com webcode: #0853

Additional Information:

- A. centering lug for UCS HH...
- B. max. marking area with standard printing process
 - other printing processes on request
- C. max. machining area
 - processing radii R1
 - further on request

- ⊕ = Workpiece zero point for mechanical processing
- Tolerances for mechanical processing:
 - milled to workpiece zero point ±0,2
 - milled to other reference points ±0,1

Pos.	QTY	description	material
1	1	SIDE WALL 237-F RPI	PC

	document-no. / ri	article-no.	scale	- Simplified representation - Document excluded from change process - Linear dimensions [mm]
	01194090 / 01	1104781		
	date	document-type	description	
	22.04.2024	TECDCOC 2D_Productdrawing		
page 4	of 4			