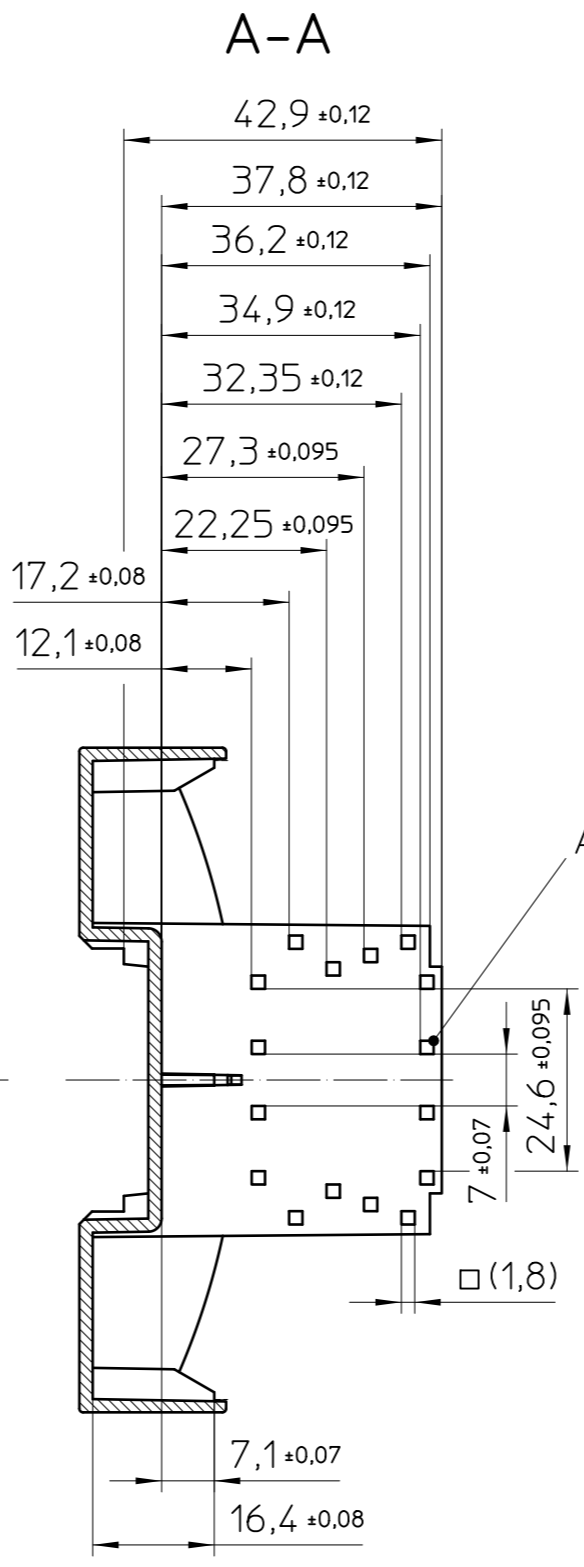
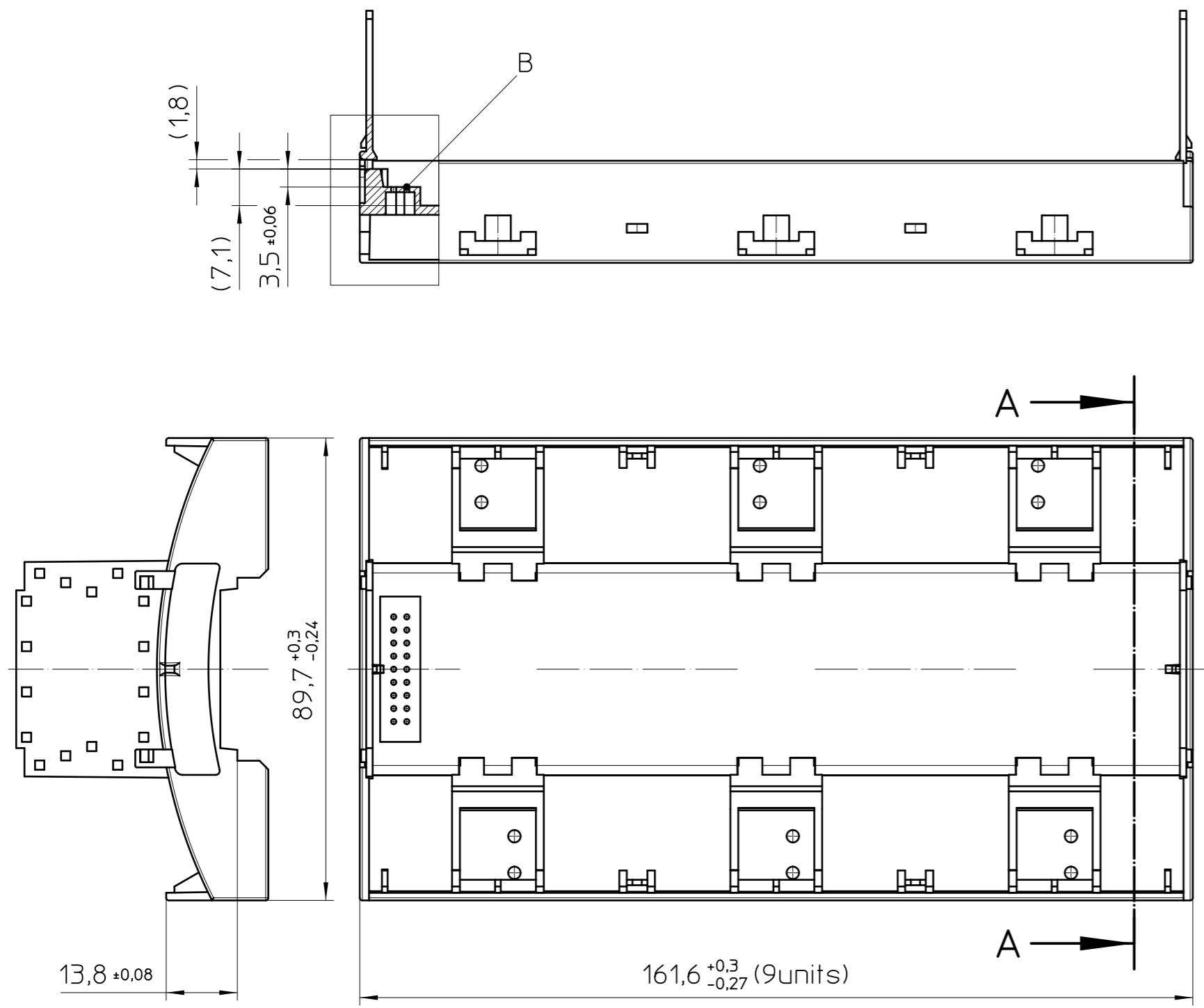


Transfer or duplication of this document as well as the utilisation or communication of its content are not permitted unless express consent is granted. Violations give rise to claims for damages. All rights reserved in case of patent, utility model or design patent registrations. Tolerance specifications do not include clearances inherent in the design.

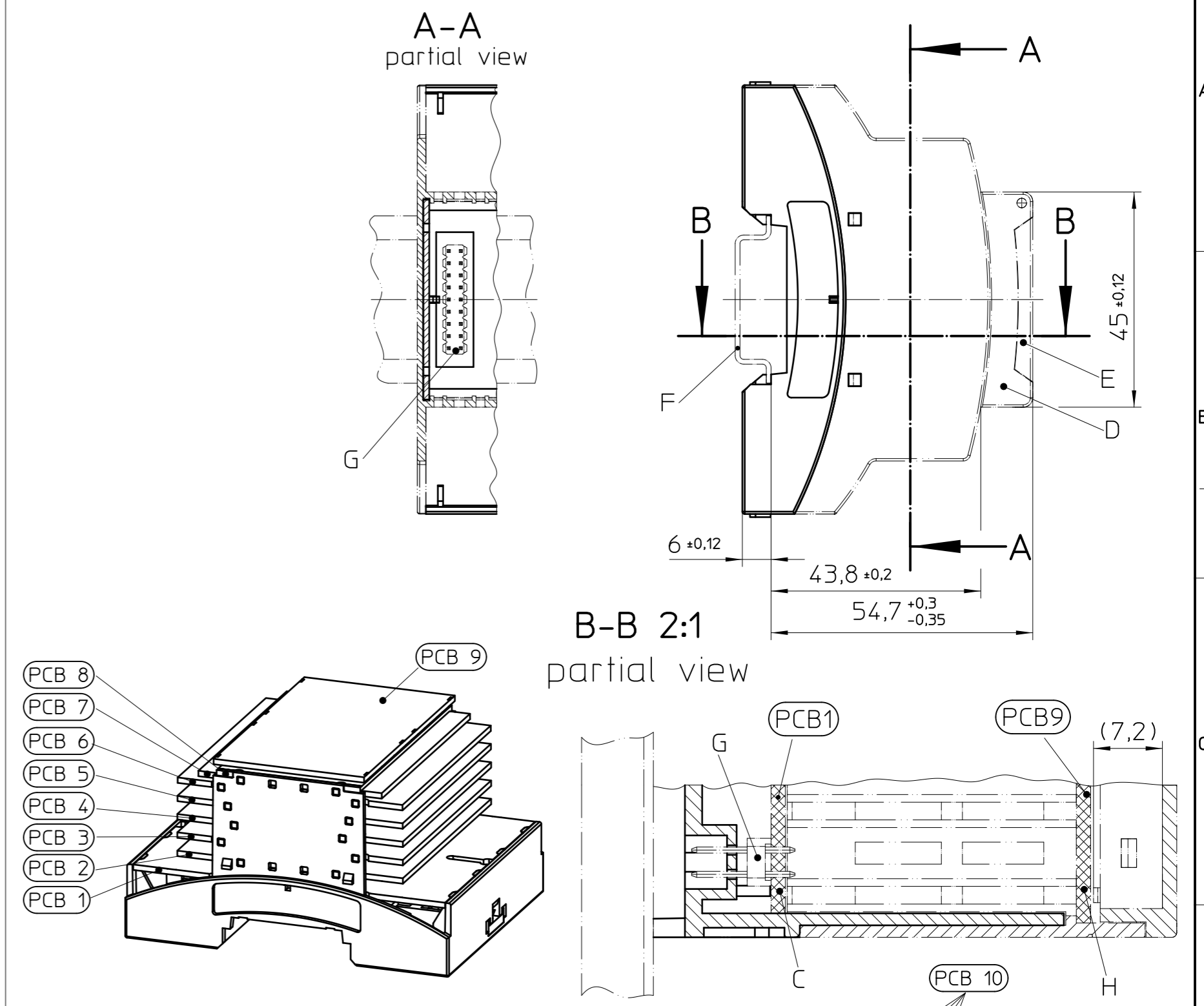
Weitergabe sowie Vervielfältigung dieses Dokuments, Verwertung und Mitteilung seines Inhalts sind verboten, soweit nicht ausdrücklich gestattet. Zuwiderhandlungen verpflichten zu Schadensersatz. Alle Rechte für den Fall der Patent-, Gebrauchsmuster- oder Designeintragung vorbehalten. Bauabfertigung ist in den Toleranzangaben nicht berücksichtigt.

HOUSING LOWER PART

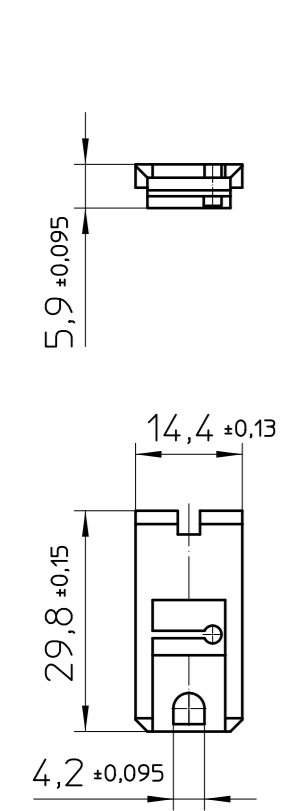


Assembly example

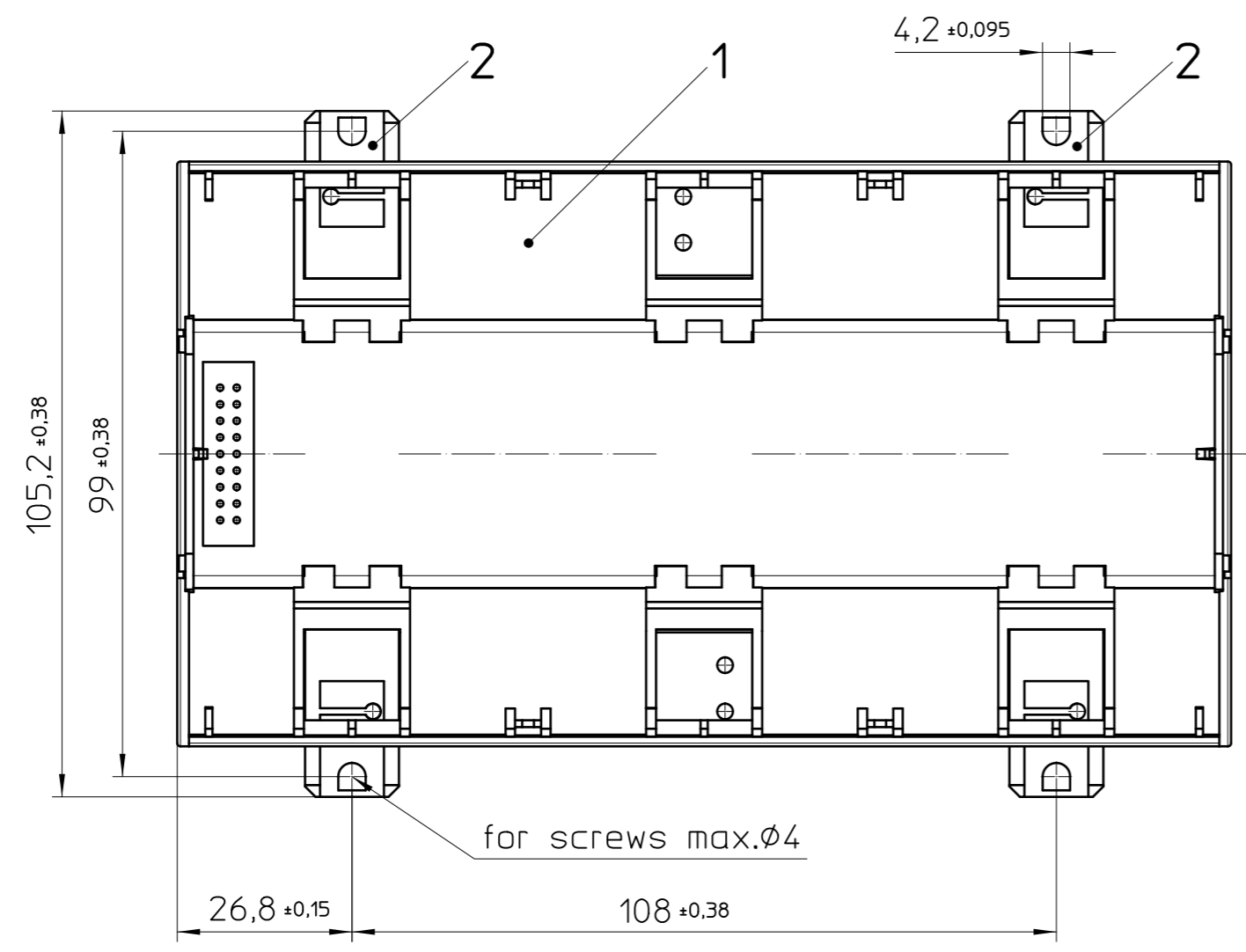
Overall dimensions complaint DIN 43880



FOOT CATCH



WALL MOUNTING

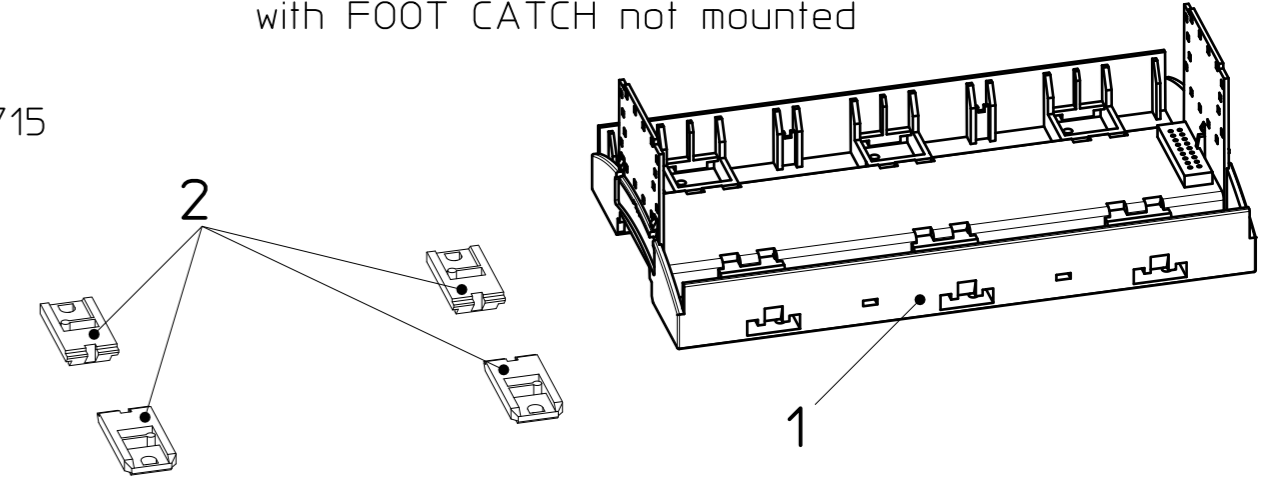


General Information:
 - Tolerances apply in a normal climate according to DIN EN ISO 291-23/50-2,
 - Web: www.phoenixcontact.com

Additional Information:
 A. PCB fixing
 B. HBUS connector
 C. PCB 1 (main PCB)
 D. Housing upper part
 E. Cover
 F. Mounting rail like EN 60715: TH 35-7,5 or mounting rail TH 35-15x1,5 similar to EN 60715
 G. Plug for HBUS, (PSTD 0,65x0,65/9-2,54)
 H. Position PCB 9 or position plate

KIT (not mounted)			
Pos.	QTY	Description	Material
1	1	HOUSING LOWER PART	PC
2	4	FOOT CATCH	POM

HOUSING LOWER PART with FOOT CATCH not mounted



	document-no. / ri	article-no.	scale	- Simplified representation - Document excluded from change process - Linear dimensions (mm)
	01275202 / 01	1227345	1:1	
	date	document-type	description BC 161,6 UT HBUS KMGY	
	29.07.2025	TECDOC_2D_Productdrawing		
page 1	of 1			