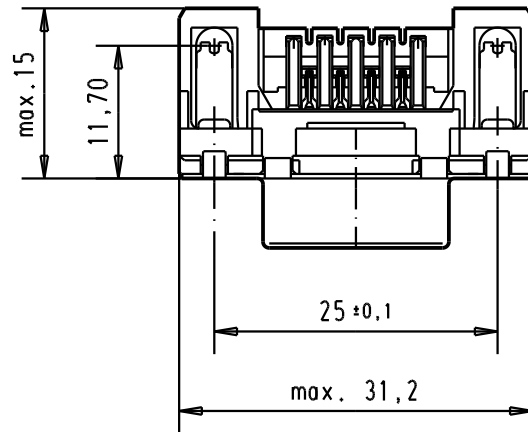
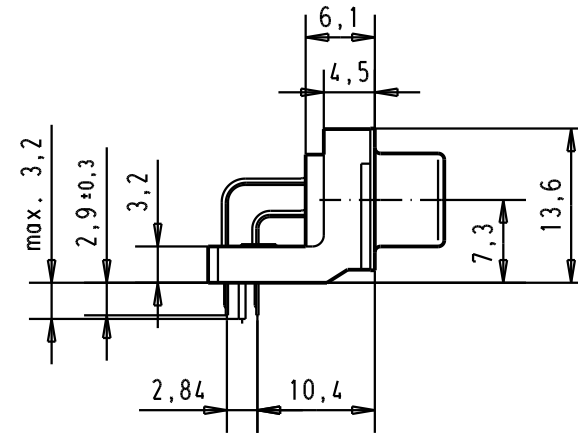
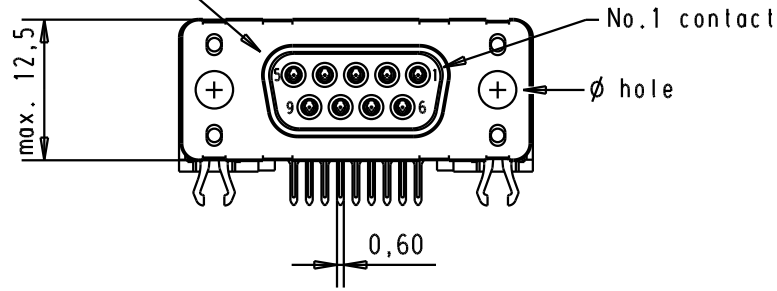
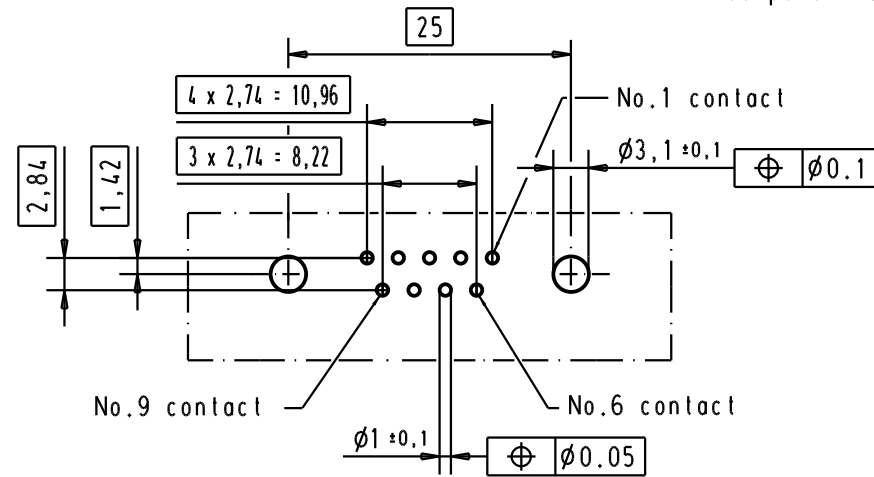



Mating face according to : MIL-C-24308 / DIN 41652 / CECC 75301-802



PCB layout hole component side



Connector retention and insertion forces on the PCB = 25 / 80 newtons

						Dat.	Name	 All Dim. in mm Orig. Size DIN A 4	D-Sub 09 poles standard angle female, solder pin with hole and grounding board lock.	Maßstab/ Scale 1.5:1	
						Detail.	02/sept/00				jfb
						Insp.					
09 66 153 3610	3.1 ± 0.1	1	31892	05/05/04	JH	Stand.			TB 0966153x61x Sub.	Blatt/ Page 1 /	
09 66 153 6610	3.1 ± 0.1	2	31084	04/SEP/02	YT	HARTING EURL F-95972 Paris					
09 66 153 7610	3.1 ± 0.1	3	27957	02/sept/00	jfb						
Part number	ø hole	Performance level	Mod.	Dat.	Name						

