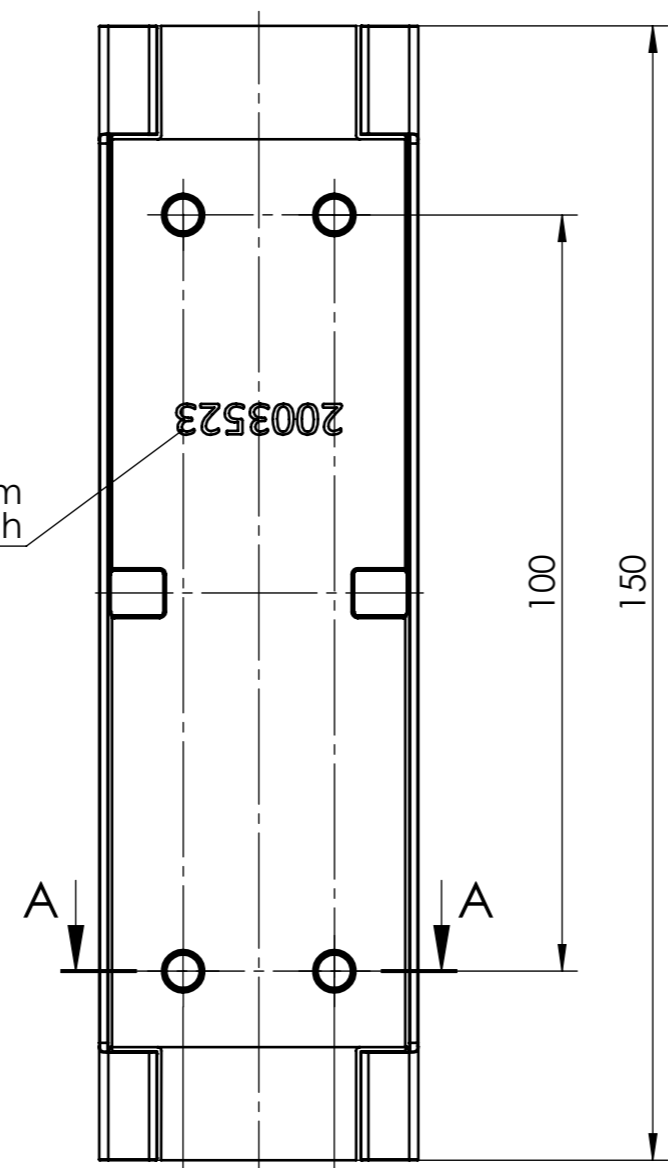


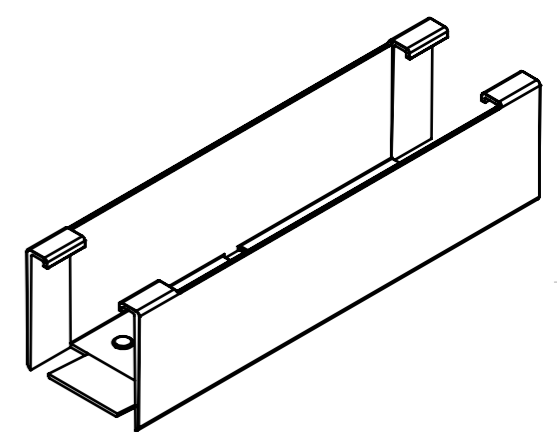
Stamp 0,3mm deepened

Art.Nr 2003523 from bottom
0,3mm high

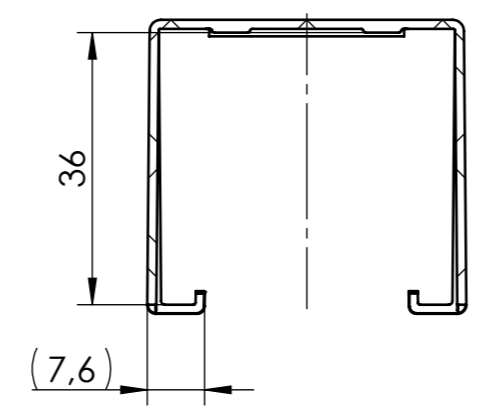
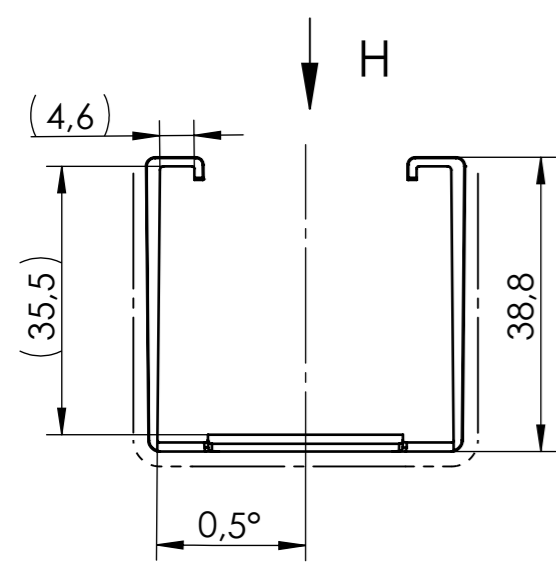
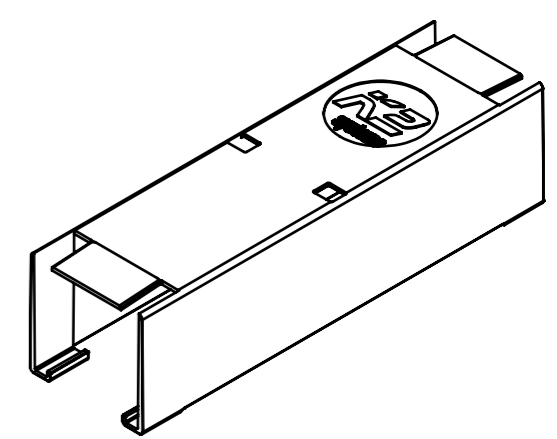
View H



Section A-A



Isometric
1:2



--- :Visible Surface



K2 Systems GmbH
Industriestr. 18
71272 Renningen
Germany
+49 7159 42059-0

Designation: **Data sheet
Black Cover
SingleRail 36**

	Name	Date	Material:	Item no.:	A3
Designed	E. Markou	28.11.2022	PA6 GK30	2003523	
Approved	K. Mahboobi	27.03.2023	Surface: Surface erodied VDI3400 Ref.No.:36	Drawing no.:	04-059-00
Last change			Weight: ca. 26.1 g/pc	Scale: 1:1	All dimensions in mm Sheet 1 of 1

This drawing is the sole property of K2 Systems GmbH. It is protected by copyright and may only be copied, reproduced or distributed to a third party with explicit permission!