

Panel mounting socket outlet, straight - 7 poles, flange 75x75

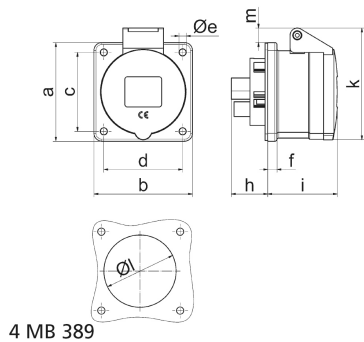


Product description	
BALS-Prd.-Nr	13329
EAN	4024941133296
Product category	Panel mounting socket outlet, straight
Current	32A
Number of poles	7p
Poles	6p+PE
Position of earth contact	6 h
Voltage	400V

Product description	
Frequency	50 and 60Hz
Protection degree	IP44
Colour code	red RAL 3000
Colour of appliance	Hinged lid red RAL 3000, Enclosure grey RAL 7035
Connection design	with screw terminal
Maximum conductor size	10,0 qmm
Cable entry	other
Height	98mm
Width	75mm
Depth	82mm
Flange size vertical	75mm
Flange size horizontal	75mm
Drill hole distance vertical	60mm
Drill hole distance horizontal	60mm
Material of enclosure	Polyamide
Contact	The contact carrier is made of polyamide, The contacts are brass

Logistics data	
Weight/pcs	0.269 kg / Piece
Packaging	Bag
Content amount	1 ST

Logistics data	
EAN	4024941133296
Length	82 mm
Width	75 mm
Height	98 mm
Weight	0.27 kg
Volume	602.7 ccm
Packaging	Carton
Content amount	10 ST
EAN	4024941968171
Length	245 mm
Width	177 mm
Height	185 mm
Weight	2.823 kg
Volume	7,140 ccm



4 MB 389

	16	32					
Ampere	16	32					
Polzahl	7	7					
a	75,0	75,0					
b	75,0	75,0					
c	60,0	60,0					
d	60,0	60,0					
e ø	5,5	5,5					
f	7,0	8,0					
h	28,0	38,0					
i	53,0	62,0					
k	85,0	98,0					
l ø	60,0	60,0					
m	11,0	17,0					
Leiter mm ² min	1,5	2,5					
Leiter mm ² max	4	10					