

PCB layout, component side

Max. Temperature: 260° during 10 seconds.

0955 255 3611 741	1	M3
0955 255 3612 741	1	4-40 UNC
0955 255 6611 741	2	M3
0955 255 6612 741	2	4-40 UNC
0955 255 7611 741	3	M3
0955 255 7612 741	3	4-40 UNC

Black insulator

Reel Packaging:
140 connectors
(See details on page 2/2)

Part number		PL	Nut	Index designation	
Techn. Character.		Free size tolerances		D-Sub SMT, 15 poles Female, Straight with nuts and ground pins	
All Dimensions in mm Original Size DIN A 3		Scale			
Dat.		Name			
Stand.		Name			
EC04070		17-Nov-11	Johnson.S	2:1	
Mod.		Dat.	Name	Zhuhai HARTING Limited	
				TB 09 55 255 x61x	
				Sub.	

All rights reserved

1 2 3 4 5 6 7 8

A

B

C

D

E

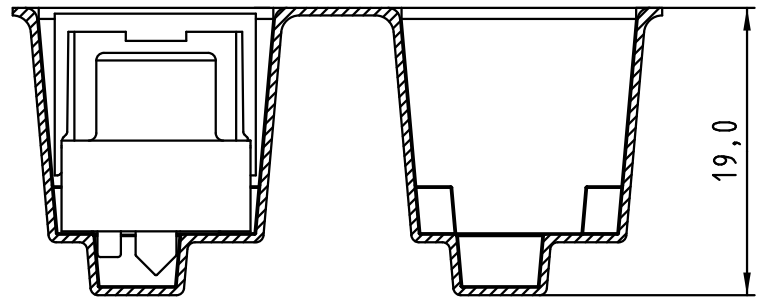
A

B

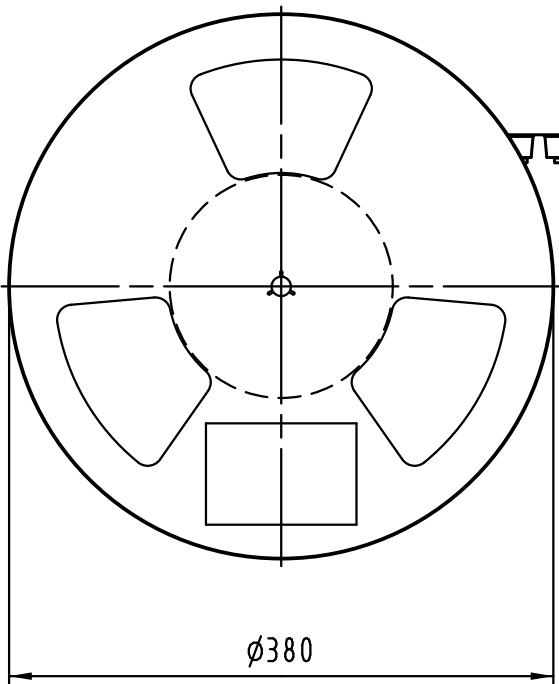
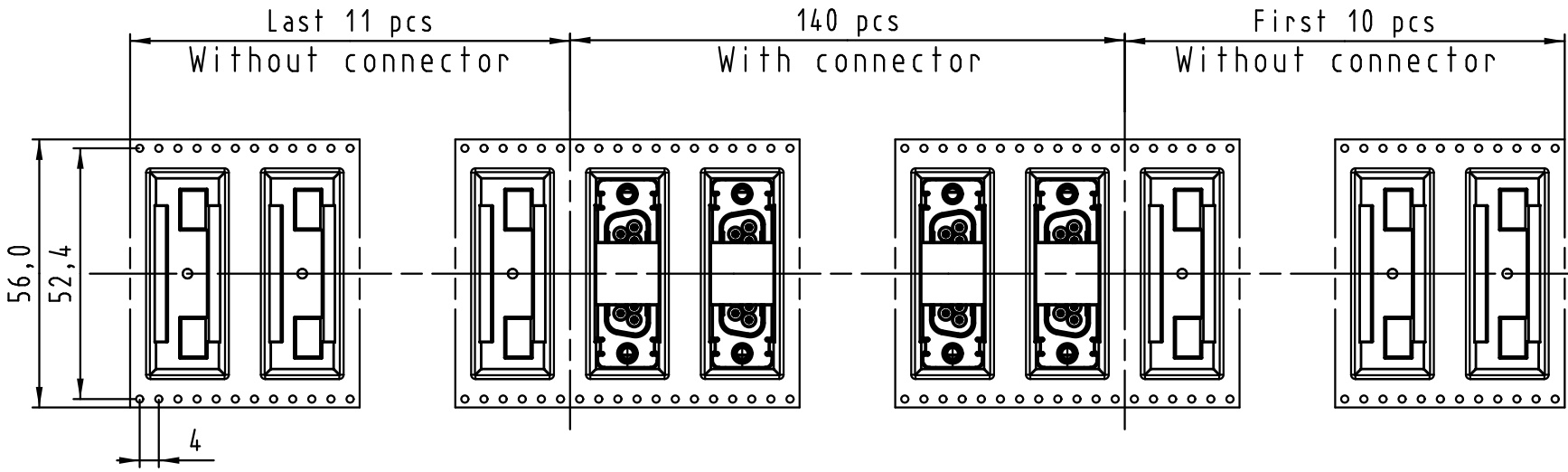
C

D

E

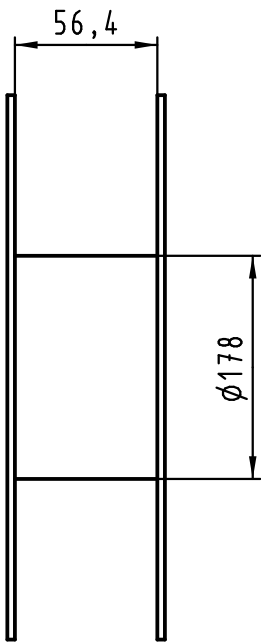


Detail A



Detail A

Direction of unreeling



See TB 09 55 255 x61x folio 1/2 for connector dimensions and PCB layout

Packaging in accordance with EIA 481-2.

0955 255 3611 741	1	M3	Black insulator	Reel Packaging: 140 connectors
0955 255 3612 741	1	4-40 UNC		
0955 255 6611 741	2	M3		
0955 255 6612 741	2	4-40 UNC		
0955 255 7611 741	3	M3		
0955 255 7612 741	3	4-40 UNC		
Part number	PL	Nut	Index designation	

All Dimensions in mm Original Size DIN A 3	Techn. Character.			Free size tolerances	
		Dat.	Name	D-Sub SMT, 15 poles Female, Straight with nuts and ground pins	
		Detail.	25-Oct-11 Johnson.S		
		Insp.	17-Nov-11 Steven.W		
	Stand.	17-Nov-11 Steven.W	Scale		
EC04070	17-Nov-11	Johnson.S	Zhuhai HARTING Limited		TB 09 55 255 x61x
Mod.	Dat.	Name			Sub.

All rights reserved