

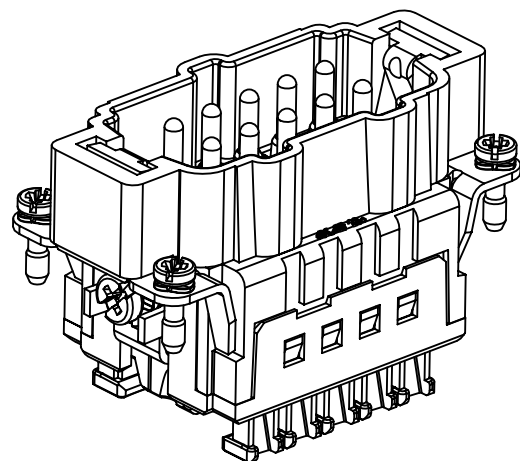
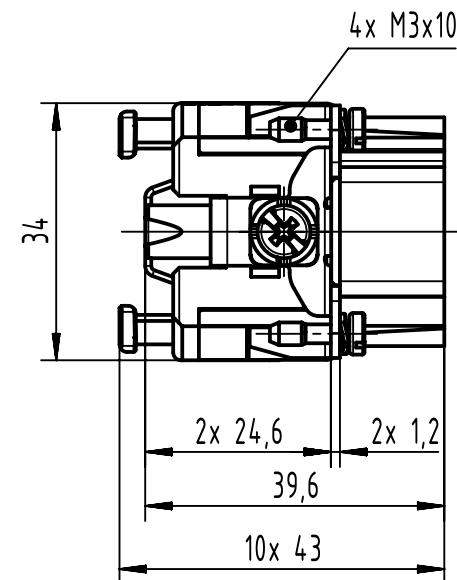
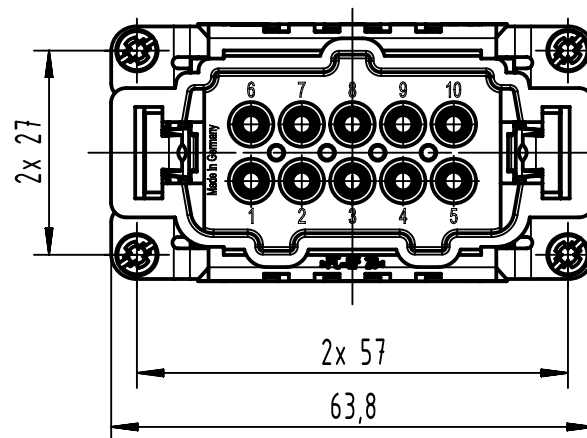
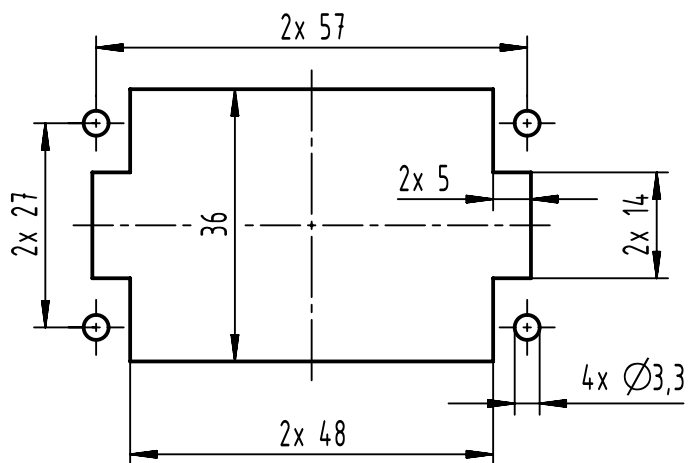
1 2 3 4 5 6



A

B

C

D



	All rights reserved Department EL PD	Created by HELLMANN		Inspected by SCHNIEDER		Standardisation		Date 2024-02-21		State Final Release	
		Title Han 10ES Press-M								Doc-Key / ECM-Nr. 100622481/UGD/001/H 500000262513	
HARTING D-32339 Espelkamp		Type TB		Number 09 33 010 2648				Rev. H		Page 1/1	
 All Dimensions in mm Original Size DIN A4		Scale 1:1		Free size tol.				Ref.		Sub.	