

Wall mounting socket outlet - with external fixing



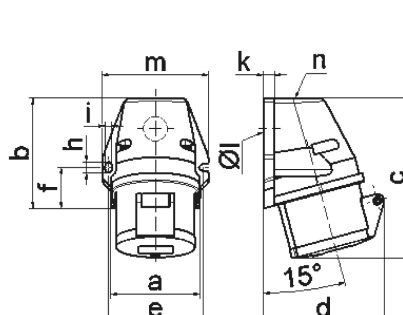
Product description	
BALS-Prd.-Nr	11905
EAN	4024941119054
Product category	Wall mounting socket outlet Quick-Connect
Current	16A
Number of poles	4p
Poles	3P+PE
Position of earth contact	6 h
Voltage	380 up to 415V
Frequency	50 and 60Hz

Product description	
Protection degree	IP44
Colour code	red RAL 3000
Colour of appliance	Housing top red RAL 3000, Collar red RAL 3000, Hinged lid red RAL 3000, Housing bottom grey RAL 7035
Connection design	screwless spring terminals as cage clamp with Kontex-contact
Maximum conductor size	4,0 qmm
Cable entry	top entry M25
Height	130mm
Width	87mm
Depth	96mm
Dimension of enclosure	90x87 mm (HxW)
Material of enclosure	Polyamide
Contact	The contact carrier is made of polyamide, The contacts are brass

Additional technical properties	
	The cable entry is one at top open and one at bottom closed

Logistics data	
Weight/pcs	0.22 kg / Piece
Packaging	Bag
Content amount	1 ST

Logistics data	
EAN	4024941119054
Length	96 mm
Width	87 mm
Height	130 mm
Weight	0.221 kg
Volume	1,085.76 ccm
Packaging	Carton
Content amount	10 ST
EAN	4024941957564
Length	387 mm
Width	222 mm
Height	150 mm
Weight	2.393 kg
Volume	11,029.5 ccm



Ampere Polzahl	16 3	16 4	16 5	32 3	32 4	32 5
a	59,5	72,4	72,4	79,1	79,1	79,1
b	90,0	90,0	90,0	92,0	92,0	92,0
c	130,0	130,0	131,0	142,0	142,0	142,0
d	85,0	96,0	98,0	103,0	103,0	106,0
e	62,0	77,0	77,0	84,0	84,0	84,0
f	33,5	33,5	33,5	30,0	30,0	30,0
h	9,0	9,0	9,0	9,0	9,0	9,0
i	5,5	5,5	5,5	5,5	5,5	5,5
k	8,0	9,0	9,0	9,0	9,0	9,0
l ø	21,0	21,0	21,0	21,0	21,0	21,0
m	72,0	87,0	87,0	94,0	94,0	94,0
n	M20	M25	M25	M25	M25	M25
Leiter mm ² min	1,5	1,5	1,5	2,5	2,5	2,5
Leiter mm ² max	4	4	4	10	10	10

1 MB 19